



Rusty's Off-Road Products
7161 Steele Station Road
Rainbow City, AL 35906
1-256-442-0607
www.rustysoffroad.com

Rusty's JK Wrangler Rear Inner Fenders RA-MF4800-JK INSTALLATION INSTRUCTIONS

Last Revised: 08/12/2019

Introduction:

Rusty's recommends that this installation be performed by a certified automotive technician or a person with professional mechanical knowledge. Installing this kit without this expertise may jeopardize the handling and safety of the vehicle.

Read instructions several times before starting. Be sure you have all the needed parts and know where they install. Read each step completely as you go. Exhaust modifications may be necessary. Prior to drilling or cutting, check behind the surface being worked on for any wires, lines, or hoses that could be damaged. After any drilling or cutting, remove burrs and grind smooth any surfaces. An inclinometer or similar tool may be needed to measure driveshaft angles before and after the installation.

Warning:

- It is the owners' responsibility to inspect all Rusty's products for proper torque specs to prevent loosening of components.
- Seat belts and shoulder harnesses should be worn at all times.
- Re-check all bolts and nuts after the first 100 miles and after any off-road usage during the first 300 miles.
- Although all of our products are made from the highest quality materials possible, they are not a substitute for Safe and Careful driving. In other words, have good safe on-road / off-road sense. Know the terrain, the speed limitations, and any obstacles that may lie ahead. Please remember to preserve our right to enjoy public land through the proper use of off-road vehicles.

Before Starting Installation:

1. Carefully Read all warnings and instructions completely before beginning.
2. Verify all parts have been received in this kit by checking the parts list on page#2 of this document.
3. Only install this kit on the vehicle for which it is specified.
4. Park the vehicle on a clean, dry, flat, level surface and block the tires so the vehicle cannot roll in either direction.
5. Be certain the vehicle is safely secured on jack stands or a vehicle lift prior to working around or under a vehicle. Never rely on a jack alone to support a vehicle's weight; use appropriately rated stands to support the vehicle's frame and any other heavy components.



For Questions or Suggestions, contact our Tech Department (256-442-0607)



Parts List:

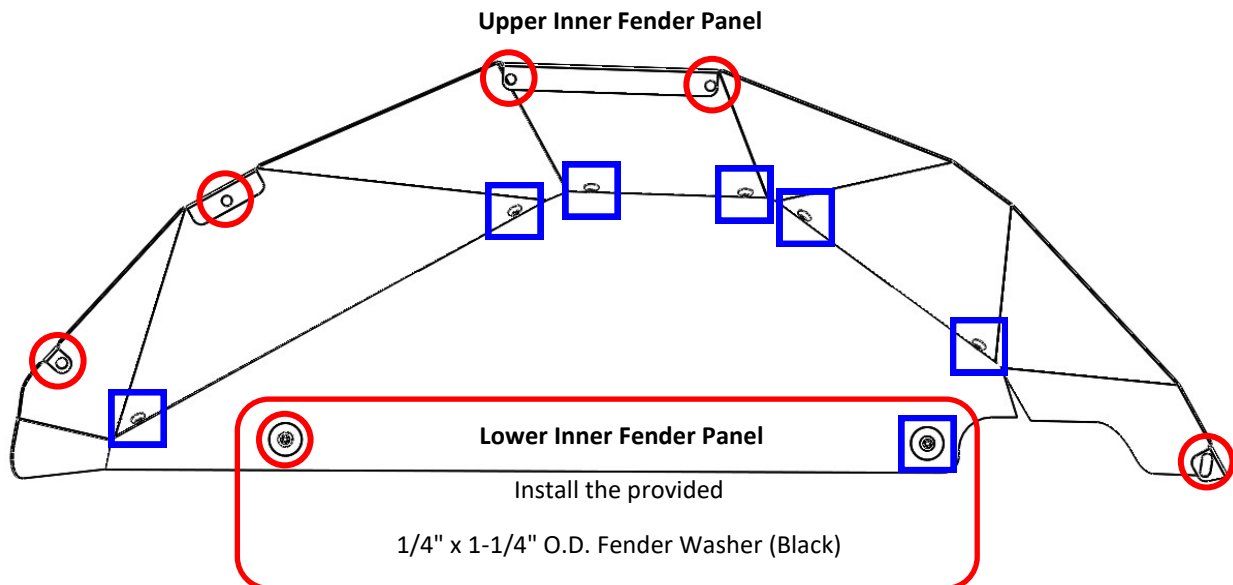
Note: Please be sure that you have all the provided parts listed below before continuing with the installation.

Part #	DESCRIPTION:	Quantity
RA-MF4800-JK-DSU	Rusty's JK Rear Driver's Side Upper Inner Fender Panel	1
RA-MF4800-JK-DSL	Rusty's JK Rear Driver's Side Lower Inner Fender Panel	1
RA-MF4800-JK-PSU	Rusty's JK Rear Passenger's Side Upper Inner Fender Panel	1
RA-MF4800-JK-PSL	Rusty's JK Rear Passenger's Side Lower Inner Fender Panel	1
67563007	1/4"-20 x 1/2" Length Button Head Cap Screw	13
67563080	1/4"-20 x 3/4" Length Button Head Cap Screw	13
67483768	1/4"-20 Serrated Flange Nut	26
67317800-BLK	1/4" x 1-1/4" O.D. Fender Washer (Black)	4

Assembly Illustration

Note: This diagram illustrates the passenger side panels. The driver side will be installed in the same manner.

-  Install the supplied 1/4"-20 x 3/4" Length Button Head Cap Screw and 1/4"-20 Serrated Flange Nut.
-  Install the supplied 1/4"-20 x 1/2" Length Button Head Cap Screw and 1/4"-20 Serrated Flange Nut.



For Questions or Suggestions, contact our Tech Department (256-442-0607)

Installation Instructions

Note: Perform the following steps one side at a time. Save all factory components and hardware for reuse, unless noted.

1. Remove the factory rear fender liners from the rear fender wells. (**Note:** It is possible to install these with the factory rear fender flares, by drilling out the 6 plastic rivets that secure the factory rear fender liners to the factory fender flares using a 1/4" drill bit. Then using a clip removal tool to remove the 5 plastic push pin retaining clips.)
2. The factory plastic liner should be free to be removed now and the fender flare can remain on the body if you are not planning to change at this time.
3. This would be a good time to clean the exposed area before continuing with the installation.
4. Lay out each of the supplied Rusty's JK Rear Inner Fender Panels to align and assemble the inner rear fender liner assemblies as instructed.

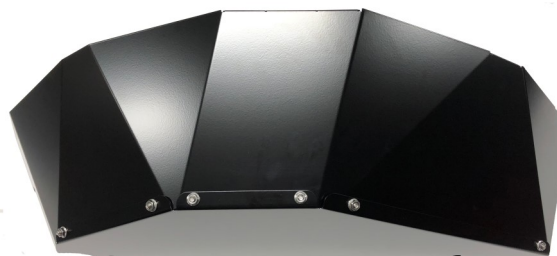


Driver Side



Passenger Side

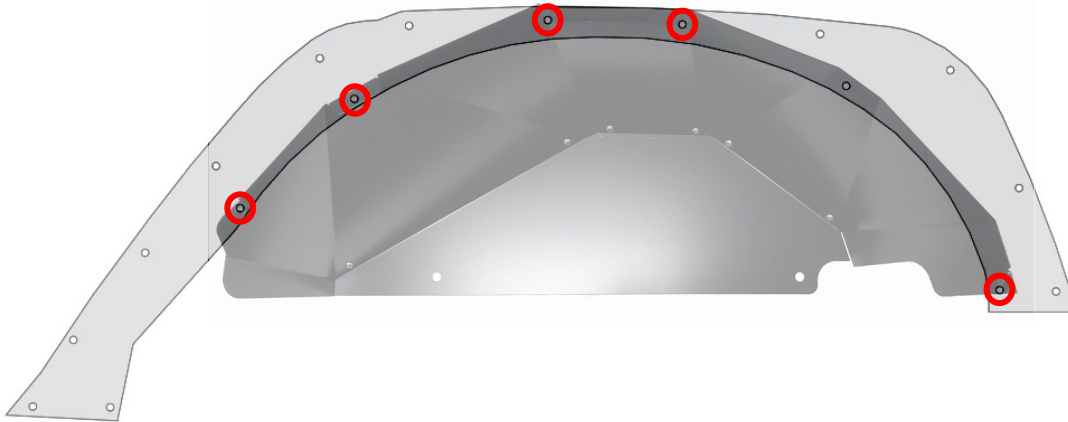
5. Assemble both the driver and passenger side fender liner assemblies by securing the Rusty's JK Rear Upper Inner Fender Panels to the Rusty's JK Rear Lower Inner Fender Panels as pictured below. Secure using the supplied 1/4"-20 x 1/2" Length Button Head Cap Screws and 1/4"-20 Serrated Flange Nuts. Once all screws have been installed on each assembly you can tighten all the hardware.



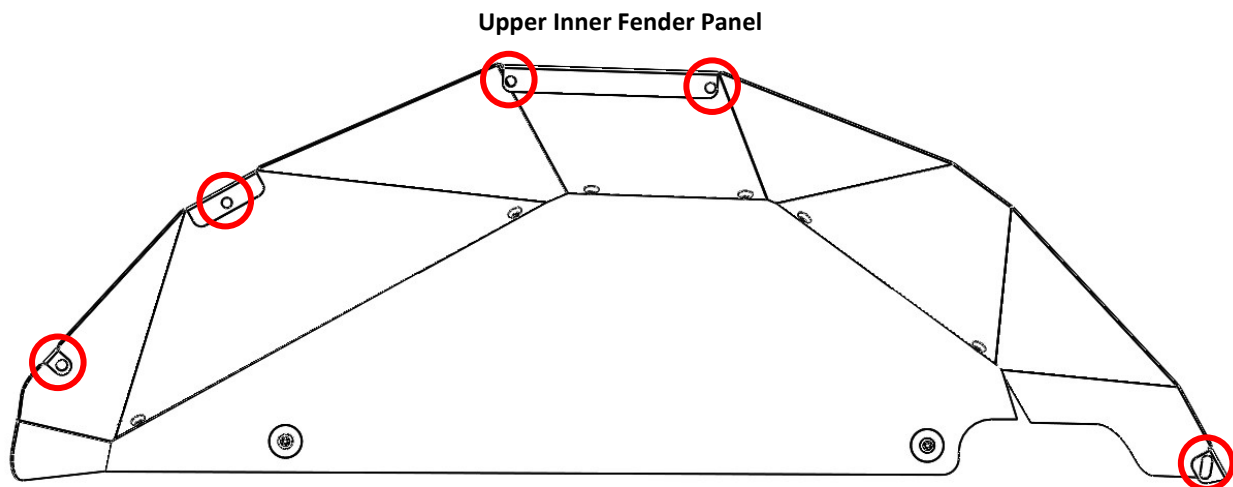
For Questions or Suggestions, contact our Tech Department (256-442-0607)

Installation Instructions

6. Remove any hardware that is installed in the hole locations shown in the illustration below. (**Note:** This image is to illustrate where the inner fender liners will attach to the factory fender mounting points.)



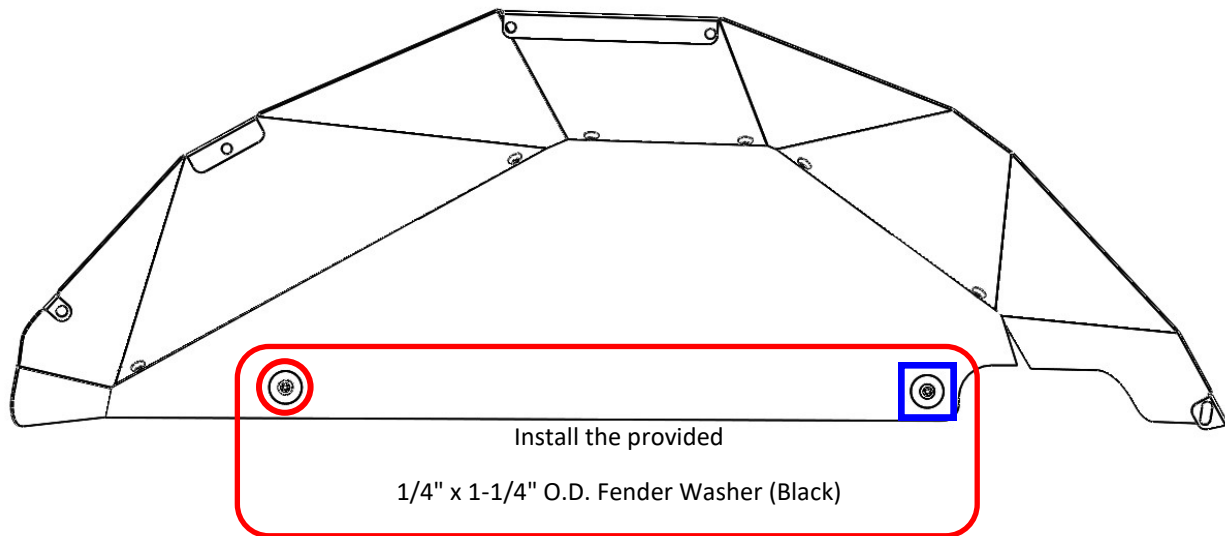
7. Install the rear fender liner assemblies into the fender well and align the mounting holes locations with the factory hole locations illustrated in step 6. (**Note:** If necessary, the removal of the rear tires may be needed but in most cases is not required to complete the installation of the rear inner fender liners.)
8. Install the supplied (Qty:5) 1/4"-20 x 3/4" Length Button Head Cap Screw and (Qty:5) 1/4"-20 Serrated Flange to secure the fender liner to the factory hole locations. (**Note:** If you are using with an aftermarket fender flare option it maybe necessary to use the hardware provided with the aftermarket fender flares in the hole location marked below. This will vary with the material thickness of the aftermarket fender flares.)



For Questions or Suggestions, contact our Tech Department (256-442-0607)

Installation Instructions

9. Install the supplied 1/4"-20 x 3/4" Length Button Head Cap Screw with a 1/4" x 1-1/4" O.D. Fender Washer (Black) and 1/4"-20 Serrated Flange Nut into the hole location identified with the circle in the diagram below
10. Install the supplied 1/4"-20 x 1/2" Length Button Head Cap Screw with a 1/4" x 1-1/4" O.D. Fender Washer (Black) and 1/4"-20 Serrated Flange Nut into the hole identified with the square in the diagram below.



11. Repeat steps 6-9 on the opposite side of the vehicle.
12. Reinstall any hardware that was removed to complete the installation of the rear inner fender liners.
13. Installation is now complete.

WARNING

It is the owners' responsibility to inspect all Rusty's products for proper torque specs to prevent loosening of components. Seat belts and shoulder harnesses should be worn at all times. Re-check all bolts and nuts after the first 300 miles and after any off-road usage during the first 300 miles. Although all of our products are made from the highest quality materials possible, they are not a substitute for Safe and Careful driving. In other words, have good safe on-road / off-road sense. Know the terrain, the speed limitations, and any obstacles that may lie ahead. Please remember to preserve our right to enjoy public land through the proper use of off-road vehicles. Thank you for choosing Rusty's Off Road Products.



For Questions or Suggestions, contact our Tech Department (256-442-0607)