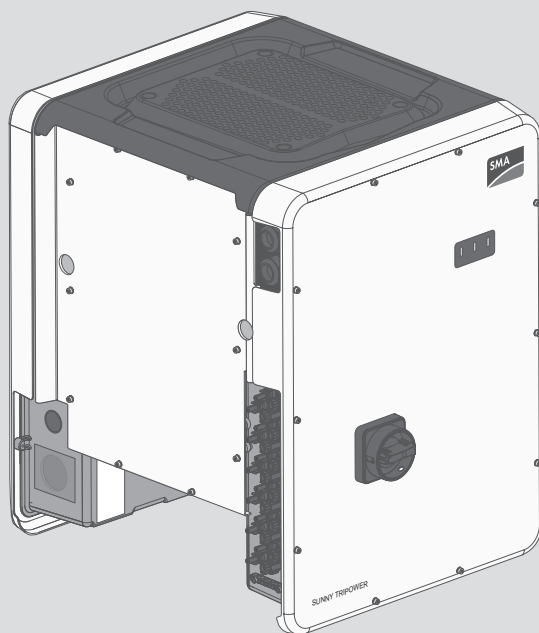


SUNNY TRIPOWER CORE1-US

STP 33-US-41 / STP 50-US-41 / STP 62-US-41



ENGLISH

User Manual

ESPAÑOL

Instrucciones de uso

Legal Provisions

The information contained in these documents is the property of SMA Solar Technology AG. No part of this document may be reproduced, stored in a retrieval system, or transmitted, in any form or by any means, be it electronic, mechanical, photographic, magnetic or otherwise, without the prior written permission of SMA Solar Technology AG. Internal reproduction used solely for the purpose of product evaluation or other proper use is allowed and does not require prior approval.

SMA Solar Technology AG makes no representations or warranties, express or implied, with respect to this documentation or any of the equipment and/or software it may describe, including (with no limitation) any implied warranties of utility, merchantability, or fitness for any particular purpose. All such representations or warranties are expressly disclaimed. Neither SMA Solar Technology AG nor its distributors or dealers shall be liable for any indirect, incidental, or consequential damages under any circumstances.

The exclusion of implied warranties may not apply in all cases under some statutes, and thus the above exclusion may not apply.

Specifications are subject to change without notice. Every attempt has been made to make this document complete, accurate and up-to-date. Readers are cautioned, however, that product improvements and field usage experience may cause SMA Solar Technology AG to make changes to these specifications without advance notice, or per contract provisions in those cases where a supply agreement requires advance notice. SMA Solar Technology AG shall not be responsible for any damages, including indirect, incidental or consequential damages, caused by reliance on the material presented, including, but not limited to, omissions, typographical errors, arithmetical errors or listing errors in the content material.

SMA Warranty

You can download the current warranty conditions from the Internet at www.SMA-Solar.com.

Software licenses

The licenses for the used software modules can be called up on the user interface of the product.

Trademarks

All trademarks are recognized, even if not explicitly identified as such. Missing designations do not mean that a product or brand is not a registered trademark.

SMA Solar Technology AG

Sonnenallee 1

34266 Niestetal

Germany

Tel. +49 561 9522-0

Fax +49 561 9522-100

www.SMA.de

Email: info@SMA.de

Status: 10/31/2018

Copyright © 2018 SMA Solar Technology AG. All rights reserved.

Table of Contents

1	Information on this Document	5
1.1	Validity	5
1.2	Target Group	5
1.3	Content and Structure of this Document	5
1.4	Levels of warning messages	5
1.5	Symbols in the Document	6
1.6	Typographies in the document	6
1.7	Designation in the document	6
1.8	Additional Information	6
2	Safety	8
2.1	Intended Use	8
2.2	IMPORTANT SAFETY INSTRUCTIONS.....	9
3	Product Overview	12
3.1	Product Description	12
3.2	Symbols on the Product	13
3.3	Interfaces and Functions	14
3.4	LED Signals	18
4	Operation	19
4.1	Establishing a connection to the user interface	19
4.1.1	Establishing a Direct Connection via Ethernet	19
4.1.2	Establishing a direct connection via WLAN	19
4.1.3	Establishing a Connection via Ethernet in the local network	21
4.1.4	Establishing a Connection via WLAN in the Local Network	22
4.2	Logging In and Out of the User Interface.....	23
4.3	Start Page Design of the User Interface.....	24
4.4	Displaying and Downloading the Stored Data.....	26
4.5	Activating the Smart Inverter Screen.....	27
4.6	Starting the Installation Assistant.....	27
4.7	Activate WPS Function.....	28
4.8	Switching WLAN On and Off.....	29
4.9	Switching the Dynamic Power Display Off.....	30
4.10	Changing the Password.....	30
4.11	Changing Operating Parameters.....	31
4.12	Configuring the Country Data Set.....	32
4.13	Configuring Feed-In Management.....	32
4.14	Configuring the Rapid Shutdown Function.....	33

4.15	Changing the Operating Mode of the Multifunction Relay	33
4.16	Configuring the Modbus Function.....	35
4.17	Setting SMA OptiTrac Global Peak	35
4.18	Deactivating the Arc-Fault Circuit Interrupter (AFCI).....	36
4.19	Activating String-Failure Detection	36
4.20	Saving the Configuration in a File.....	36
4.21	Adopting a Configuration from a File.....	36
4.22	Updating the Firmware	37
5	Cleaning the Inverter	39
6	Troubleshooting.....	40
6.1	Forgotten Password.....	40
6.2	Event Messages	41
6.3	Checking the PV System for Ground Faults	56
6.4	Resetting the Operation Inhibition after Detection of an Arc Fault	59
7	Accessories	60
8	Compliance Information	61
9	Contact	62

1 Information on this Document

1.1 Validity

This document is valid for:

- STP 33-US-41 (Sunny Tripower CORE1-US)
- STP 50-US-41 (Sunny Tripower CORE1-US)
- STP 62-US-41 (Sunny Tripower CORE1-US)

1.2 Target Group

This document is intended for qualified persons and end users. Only qualified persons are allowed to perform the activities marked in this document with a warning symbol and the caption "Qualified person". Tasks that do not require any particular qualification are not marked and can also be performed by end users. Qualified persons must have the following skills:

- Knowledge of how an inverter works and is operated
- Training in how to deal with the dangers and risks associated with installing, repairing and using electrical devices and installations
- Training in the installation and commissioning of electrical devices and installations
- Knowledge of all applicable laws, standards and directives
- Knowledge of and compliance with this document and all safety information

1.3 Content and Structure of this Document

This document describes the configuration, operation and troubleshooting of the product as well as the operation of the product user interface.

You will find the latest version of this document and further information on the product in PDF format and as eManual at www.SMA-Solar.com. You can also call up the eManual via the user interface of the product.

Illustrations in this document are reduced to the essential information and may deviate from the real product.

1.4 Levels of warning messages




The following levels of warning messages may occur when handling the product.

 DANGER
Indicates a hazardous situation which, if not avoided, will result in death or serious injury.
 WARNING
Indicates a hazardous situation which, if not avoided, could result in death or serious injury.
 CAUTION
Indicates a hazardous situation which, if not avoided, could result in minor or moderate injury.

NOTICE

Indicates a situation which, if not avoided, can result in property damage.

1.5 Symbols in the Document

Symbol	Explanation
	Information that is important for a specific topic or goal, but is not safety-relevant
<input type="checkbox"/>	Indicates a requirement for meeting a specific goal
<input checked="" type="checkbox"/>	Desired result
	A problem that might occur
	Example

1.6 Typographies in the document

Typography	Use	Example
bold	<ul style="list-style-type: none"> Messages Terminals Elements on a user interface Elements to be selected Elements to be entered 	<ul style="list-style-type: none"> Connect the insulated conductors to the terminals X703:1 to X703:6. Enter 10 in the field Minutes.
>	<ul style="list-style-type: none"> Connects several elements to be selected 	<ul style="list-style-type: none"> Select Settings > Date.
[Button] [Key]	<ul style="list-style-type: none"> Button or key to be selected or pressed 	<ul style="list-style-type: none"> Select [Enter].

1.7 Designation in the document

Complete designation	Designation in this document
Sunny Tripower CORE1-US	Inverter, product

1.8 Additional Information

For more information, please go to www.SMA-Solar.com.

Title and information content	Type of information
Mounting, installation, commissioning and decommissioning	Installation manual
"Application for SMA Grid Guard Code"	Form

Title and information content	Type of information
"PUBLIC CYBER SECURITY - Guidelines for a Secure PV System Communication"	Technical information
"Efficiency and Derating" Efficiency and derating behavior of the SMA inverters	Technical Information
"Grid Support Utility Interactive Inverters" Information about how to activate and to set the grid supporting features according to UL 1741 SA	Technical Information
"Short-Circuit Currents" Information on short-circuit currents of SMA PV inverters	Technical Information
"Parameters and Measured Values" Overview of all inverter operating parameters and their configuration options	Technical Information
"SMA and SunSpec Modbus® Interface" Information on the Modbus interface	Technical Information
"Modbus® parameters and measured values" Device-specific register HTML file	Technical Information
"Integrated Plant Control and Q on Demand 24/7" Detailed explanation of functions and description for setting the functions	Technical Information
"Temperature Derating"	Technical Information

2 Safety

2.1 Intended Use

The Sunny Tripower is a transformerless PV inverter, with 6 MPP trackers, that converts the direct current of the PV array to grid-compliant, three-phase current and feeds it into the utility grid.

The product is suitable for indoor and outdoor use.

The product may only be operated with PV arrays (PV modules and cabling) that are approved in accordance with the electrical standards applicable on-site and the *National Electrical Code*® ANSI/NFPA 70.

i No galvanic isolation

The product is not equipped with a transformer and therefore has no galvanic isolation.

- Do not operate grounded PV modules together with the product. If grounded PV modules are connected to the product, an event will occur. The event will be displayed, along with the associated message, in the event list on the user interface of the product.
- Only ground the mounting frames of the PV modules.
- The neutral conductor of the AC output is grounded within the product as standard. When connecting a utility grid with neutral conductor, the bridge between the neutral conductor of the AC output and the enclosure must be removed.

PV modules with a high capacity to ground may only be used if their coupling capacity does not exceed 12.6 µF.

To protect the PV system against excessive reverse currents under fault conditions, a DC-side overcurrent protective device must be connected in accordance with the *National Electrical Code*® to prevent any short-circuit currents that exceed the ampacity of the DC electric circuit or the maximum series fuse rating of the PV modules. Typically, this requires string fusing where more than two strings are combined in parallel. Where an overcurrent protection device is required, the *National Electrical Code*® requires that both positive and negative conductors have overcurrent protection for ungrounded PV modules.

All components must remain within their permitted operating ranges and their installation requirements at all times.

The product is approved for the USA market.

Use this product only in accordance with the information provided in the enclosed documentation and with the locally applicable laws, regulations, standards and directives. Any other application may cause personal injury or property damage.

Alterations to the product, e.g. changes or modifications, are only permitted with the express written permission of SMA Solar Technology AG. Unauthorized alterations will void guarantee and warranty claims and in most cases terminate the operating license. SMA Solar Technology AG shall not be held liable for any damage caused by such changes.

Any use of the product other than that described in the Intended Use section does not qualify as the intended use.

The enclosed documentation is an integral part of this product. Keep the documentation in a convenient place for future reference and observe all instructions contained therein.

This document does not replace and is not intended to replace any local, state, provincial, federal or national laws, regulations or codes applicable to the installation, electrical safety and use of the product. SMA Solar Technology AG assumes no responsibility for the compliance or non-compliance with such laws or codes in connection with the installation of the product. The type label must remain permanently attached to the product.

2.2 IMPORTANT SAFETY INSTRUCTIONS

SAVE THESE INSTRUCTIONS

This section contains safety information that must be observed at all times when working on or with the product.

The product has been designed and tested in accordance with international safety requirements. As with all electrical or electronical devices, there are residual risks despite careful construction. To prevent personal injury and property damage and to ensure long-term operation of the product, read this section carefully and observe all safety information at all times.

DANGER

Danger to life due to electric shock when live components or DC conductors are touched

When exposed to sunlight, the PV modules generate high DC voltage which is present in the DC conductors. Touching live DC conductors results in death or lethal injuries due to electric shock.

- Disconnect the product from voltage sources and make sure it cannot be reconnected before working on the device.
- Do not touch non-insulated parts or cables.
- Do not disconnect the DC connectors under load.
- Wear suitable personal protective equipment for all work on the product.

DANGER

Danger to life due to electric shock when touching live system components in case of a ground fault

If a ground fault occurs, parts of the system may still be live. Touching live parts and cables results in death or lethal injuries due to electric shock.

- Disconnect the product from voltage sources and make sure it cannot be reconnected before working on the device.
- Touch the cables of the PV array on the insulation only.
- Do not touch any parts of the substructure or frame of the PV array.
- Do not connect PV strings with ground faults to the inverter.
- Ensure that no voltage is present and wait five minutes before touching any parts of the PV system or the product.

⚠ CAUTION**Risk of burns due to hot enclosure parts**

The enclosure and the enclosure lid may get hot during operation. The DC load-break switch can not become hot.

- Do not touch hot surfaces.
- Wait until the inverter has cooled down before touching the enclosure or enclosure lid.

NOTICE**Damage to the enclosure seal in subfreezing conditions**

If you open the product when temperatures are below freezing, the enclosure seals can be damaged. Moisture can penetrate the product and damage it.

- Only open the product if the ambient temperature is not below -5°C (23°F).
- If a layer of ice has formed on the enclosure seal when temperatures are below freezing, remove it prior to opening the product (e.g. by melting the ice with warm air). Observe the applicable safety regulations.

NOTICE**Damage to the product due to sand, dust and moisture ingress**

Sand, dust and moisture penetration can damage the product and impair its functionality.

- Only open the product if the humidity is within the thresholds and the environment is free of sand and dust.
- Do not open the product during a dust storm or precipitation.
- Close tightly all enclosure openings.
- Only use listed rain-tight or liquid-tight conduit fittings to attach the conduits to the product.

NOTICE**Damage due to cleaning agents**

The use of cleaning agents may cause damage to the product and its components.

- Clean the product and all its components only with a cloth moistened with clear water.

NOTICE**Damage to the inverter due to electrostatic discharge**

Touching electronic components can cause damage to or destroy the inverter through electrostatic discharge.

- Ground yourself before touching any component.

Electrical installations (for North America)

All installations must conform with the laws, regulations, codes and standards applicable in the jurisdiction of installation (e.g. *National Electrical Code*® ANSI/NFPA 70).

- Before connecting the inverter to the utility grid, contact your local grid operator. The electrical connection of the inverter must be carried out by qualified persons only.
- Ensure that the cables or conductors used for electrical connection are not damaged.

3 Product Overview

3.1 Product Description

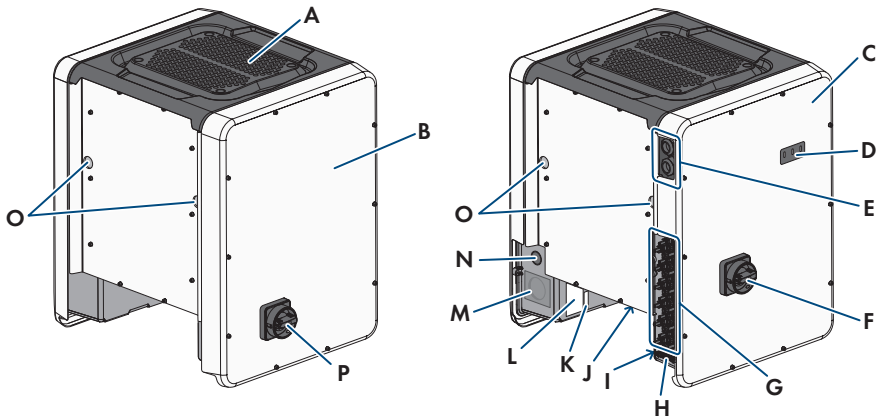











Figure 1: Design of the Product

Position	Designation
A	Cover
B	AC Connection Unit
C	DC Connection Unit
D	LEDs The LEDs indicate the operating state of the inverter.
E	Cable glands for data cables
F	DC load-break switch
G	DC connector
H	Equipment grounding bar for the equipment grounding conductor of the PV array
I	Warning label with compliance information
J	Fan bracket with three fans

Position	Designation
K	<p>Type label</p> <p>The type label clearly identifies the product. The type label must remain permanently attached to the product. You will find the following information on the type label:</p> <ul style="list-style-type: none"> • Device type (Model) • Serial number (Serial No. or S/N) • Date of manufacture • Device-specific characteristics
L	<p>Additional label with details for registration in Sunny Portal and WLAN password:</p> <ul style="list-style-type: none"> • Identification key (PIC) for registration in Sunny Portal • Registration ID (RID) for registration in Sunny Portal • WLAN password (WPA2-PSK) for the direct connection to the user interface of the inverter via WLAN
M	Enclosure opening for AC connection
N	Enclosure opening for additional cable
O	Enclosure opening for carrying handle
P	AC load-break switch

3.2 Symbols on the Product

Symbol	Explanation
	<p>Beware of electrical voltage</p> <p>The product operates at high voltages.</p>
	<p>Beware of hot surface</p> <p>The product can get hot during operation.</p>
	<p>Observe the documentation</p> <p>Observe all documentation supplied with the product.</p>
	<p>Observe the documentation</p> <p>Together with the red LED, this symbol indicates an error.</p>
	<p>Inverter</p> <p>Together with the green LED, this symbol indicates the operating state of the inverter.</p>

Symbol	Explanation
	Data transmission Together with the blue LED, this symbol indicates the status of the network connection.
	Equipment Grounding Terminal This symbol indicates the position for the connection of an equipment grounding conductor.
	Grounding This symbol indicates the position for the connection of an additional equipment grounding conductor.
	UL 1741 is the standard applied by Underwriters Laboratories to the product to certify that the product meets the requirements of the <i>National Electrical Code</i> ® and the IEEE 1547 standard.

3.3 Interfaces and Functions

The inverter can be equipped or retrofitted with the following interfaces and functions:

User interface for monitoring and configuration

The product is equipped as standard with an integrated webserver, which provides a user interface for configuring and monitoring the product. The product user interface can be called up via the web browser if there is an existing connection to an end device (e.g. computer, tablet PC or smartphone).

SMA Speedwire

The product is equipped with SMA Speedwire as standard. SMA Speedwire is a type of communication based on the Ethernet standard. SMA Speedwire is designed for a data transfer rate of 100 Mbps and enables optimum communication between Speedwire devices within systems.

SMA Webconnect

The inverter is equipped with a Webconnect function as standard. The Webconnect function enables direct data transmission between the inverter and Sunny Portal without any additional communication device and for a maximum of 4 inverters per visualized system. In PV systems with more than 4 inverters, there is the option of establishing data transmission between the inverters and Sunny Portal via the data logger (e.g., SMA Data Manager) or distributing the inverters over several systems. You can directly access your visualized system via the web browser on your end device.

WLAN

The product is equipped with a WLAN interface as standard. The inverter is delivered with the WLAN interface activated as standard. If you do not want to use WLAN, you can deactivate the WLAN interface.

In addition, the product has a WPS function. The WPS function is for automatically connecting the product to a network (e.g. via router) and establish a direct connection between the product and an end device.

Expanding the radio range in the WLAN network

In order to expand the radio range of the inverter in the WLAN network, you can install the Antenna Extension Kit accessory set in the inverter.

Modbus

The product is equipped with a Modbus interface. The Modbus interface is deactivated by default and must be configured as needed.

The Modbus interface of the supported SMA products is designed for industrial use - via SCADA systems, for example - and has the following tasks:

- Remote query of measured values
- Remote setting of operating parameters
- Setpoint specifications for system control

Module slots

The inverter is standard-equipped with two module slots. The module slots are located on the communication assembly and allow additional modules to be connected (e.g. SMA Sensor Module). The modules are available as accessories. The installation of two identical modules is not permissible.

SMA RS485 Module

With the assembly of the RS485 Module, the inverter can communicate with special SMA communication products (Information on assembly and connection see manual of the SMA RS485 Module). The SMA RS485 Module can be retrofitted.

Antenna Extension Kit

Within the WLAN network, the Antenna Extension Kit enables the radio range of the inverter to be upgraded (Information on assembly and connection see manual of the Antenna Extension Kit). The Antenna Extension Kit can be retrofitted.

SMA Sensor Module

The SMA Sensor Module has different interfaces for connecting various sensors (i.e. temperature sensor, irradiation sensor, anemometer or energy meter). The SMA Sensor Module converts the signals of the connected sensors and transmits them to the inverter. The SMA Sensor Module can be retrofitted.

Grid Management Services

The inverter was tested in accordance with the UL 1741 SA (2016-09-07) to be compliant with the source requirements documents of the states available at the time. For connecting the inverter to the utility grid, no additional grid monitoring equipment is necessary. A description of the tested functions and instructions on the activation and setting of functions can be found in the technical information "Grid Support Utility Interactive Inverters" at www.SMA-Solar.com.

PV Rapid Shutdown Equipment

The inverter is listed as PV Rapid Shutdown Equipment (PVRSE) according to UL 1741.

All DC inputs and AC outputs of this product comply with photovoltaic rapid shutdown requirements for controlled conductors outside the array.

A complete PV Rapid Shutdown System consists of the inverter, PV array switching devices, and a Rapid Shutdown initiation device.

NOTICE - The inverter's Rapid Shutdown function is initiated by disconnecting the inverter from the AC grid voltage, for example, by opening the main PV system AC disconnect. The AC disconnect that serves as the Rapid Shutdown initiation device must be readily accessible and clearly marked in accordance with National Electrical Code®. The Rapid Shutdown status of the PV system will be indicated by the On/Off (Closed/Open) position of this AC disconnect. The Off (Open) position indicates that Rapid Shutdown has been initiated.

When switching devices compliant with the SunSpec Communication Signal for Rapid Shutdown are installed within the PV array, the inverter can transmit a SunSpec-compliant "permission to operate" signal to the PV array switching devices via its DC input conductors. When Rapid Shutdown is initiated, the inverter will stop transmitting the SunSpec signal. When the SunSpec signal is not being received, the PV array switching devices are responsible for limiting voltages on conductors inside the PV array in accordance with National Electrical Code®. It is important that during a Rapid Shutdown via the SunSpec communication signal all PV modules of a string are always equipped with SunSpec-compliant PV array switching devices, otherwise the inverter cannot start feed-in operation. To ensure safe discharging of the DC connection lines, the standby voltage of the used PV array switching devices of a string must be < 30 V.

A PV Rapid Shutdown System can also be installed using PV array switching devices initiated by loss of grid AC voltage or other means. In these cases, it must be ensured that the PV system Rapid Shutdown initiation device initiates Rapid Shutdown of the PV array devices at the same time that the inverter is disconnected from AC voltage. The PV array switching devices must disconnect the PV array from the inverter within a maximum of 15 seconds after Rapid Shutdown initiation.

The inverter is capable of grid support operation where in case of a loss of AC voltage, the inverter remains connected to the utility grid for a defined ride-through time and waits for voltage recovery. If grid voltage does not recover within the defined ride-through time, the inverter disconnects from the grid and Rapid Shutdown is initiated.

The Rapid Shutdown function is deactivated by default. The Rapid Shutdown function should only be activated when PVRSE switching devices have been installed within the PV array or between the PV array and the inverter. The Rapid Shutdown function can be activated during or after inverter commissioning via the user interface by selecting the operating mode suitable to the PV array PVRSE switching devices. If the Rapid Shutdown function is activated and PV array PVRSE switching devices are not installed, the inverter cannot discharge the connected DC input conductors during Rapid Shutdown and the inverter can be damaged.

WARNING - THIS PV RAPID SHUTDOWN EQUIPMENT DOES NOT PERFORM ALL OF THE FUNCTIONS OF A COMPLETE PV RAPID SHUTDOWN SYSTEM. THIS PV RAPID SHUTDOWN EQUIPMENT MUST BE INSTALLED WITH OTHER EQUIPMENT TO FORM A COMPLETE PV RAPID SHUTDOWN SYSTEM THAT MEETS THE REQUIREMENTS OF NEC (NFPA 70) FOR CONTROLLED CONDUCTORS OUTSIDE THE ARRAY. OTHER EQUIPMENT INSTALLED IN OR ON THIS PV SYSTEM MAY ADVERSELY AFFECT THE OPERATION OF THE PV RAPID SHUTDOWN SYSTEM. IT IS THE RESPONSIBILITY OF THE INSTALLER TO ENSURE THAT THE COMPLETED PV SYSTEM MEETS THE RAPID SHUT DOWN FUNCTIONAL REQUIREMENTS. THIS EQUIPMENT MUST BE INSTALLED ACCORDING TO THE MANUFACTURER'S INSTALLATION MANUAL.

Multifunction Relay

The inverter is equipped with a multifunction relay as standard. The multifunction relay is an interface that can be configured for the operating mode used by a particular system.

String-Failure Detection

The string-failure detection measures the total current of every input and continuously calculates the mean values for the inputs in question. The total currents are compared with the mean values. If a total current exceeds or falls short of the mean value by the set tolerance value, an event is reported. Marginally increased total currents are reliably detected over several query intervals and distinguished from typical current fluctuations of the PV array. String-failure detection is deactivated by default and must be activated. In addition, the tolerance value can be set via the user interface and the mean values read off.

Surge arrester type 2 and type 1+2

On the AC and DC side, the inverter is equipped with slots for type 2 or type 1+2 surge protection devices. The surge protection devices limit dangerous overvoltages. The surge protection devices can be retrofitted.

Arc-Fault Circuit Interrupter (AFCI)

In accordance with the *National Electrical Code*[®], the inverter has a system for DC arc fault detection and interruption. The arc-fault circuit interrupter is listed in accordance with UL 1699B Ed. 1. A detected electric arc causes the inverter to interrupt feed-in operation: In order to restart feed-in operation, the feed-in operation must be activated manually. If the installation conditions allow it, you can deactivate the arc-fault circuit interrupter.

SMA Smart Connected

SMA Smart Connected is the free monitoring of the inverter via the SMA Sunny Portal. Thanks to SMA Smart Connected, the PV system operator and qualified person will be informed automatically and proactively about inverter events that occur.

SMA Smart Connected is activated during registration in Sunny Portal. In order to use SMA Smart Connected, it is necessary that the inverter is permanently connected to Sunny Portal and the data of the PV system operator and qualified person is stored in Sunny Portal and up-to-date.

Universal mounting system (UMS_Kit-10)

The universal mounting system enables wall mounting of the inverter or serves as platform for higher mounting on the ground. The universal mounting system is available as an accessory.

3.4 LED Signals

The LEDs indicate the operating state of the inverter.

LED signal	Explanation
The green LED is flashing (two seconds on and two seconds off)	Waiting for feed-in conditions The conditions for feed-in operation are not yet met. As soon as the conditions are met, the inverter will start feed-in operation.
The green LED flashes quickly	Update of central processing unit The central processing unit of the inverter is being updated.
The green LED is glowing	Feed-in operation The inverter feeds in with a power of at least 90%.
The green LED is pulsing	Feed-in operation The inverter is equipped with a dynamic power display via the green LED. Depending on the power, the green LED pulses fast or slow. If necessary, you can switch off the dynamic power display via the green LED.
The green LED is off	The inverter is not feeding into the utility grid.
The red LED is glowing	Event occurred If an event occurs, a distinct event message and the corresponding event number will be displayed in addition on the inverter user interface or in the communication product.
The blue LED flashes slowly for approx. one minute	Communication connection is being established The inverter is establishing a connection to a local network or is establishing a direct connection to an end device via Ethernet (e.g. computer, tablet PC or smartphone).
The blue LED flashes quickly for approx. two minutes.	WPS active The WPS function is active.
The blue LED is glowing	Communication active There is an active connection with a local network or there is a direct connection with an end device via Ethernet (e.g. computer, tablet PC or smartphone).

4 Operation

4.1 Establishing a connection to the user interface

4.1.1 Establishing a Direct Connection via Ethernet

Requirements:

- The product must be commissioned.
- An end device (e.g. computer) with an Ethernet interface must be available.
- The product must be connected directly to the end device.
- The respective latest version of one of the following web browsers must be installed: Chrome, Edge, Firefox, Internet Explorer or Safari.
- The SMA Grid Guard code of the Installer must be available for the changing of grid-relevant settings after completion of the first ten feed-in hours or installation assistant (see "Application for SMA Grid Guard Code" at www.SMA-Solar.com).

i IP address of the inverter

- Standard inverter IP address for direct connection via Ethernet: 169.254.12.3

Procedure:

1. Open the web browser of your device, enter the IP address **169.254.12.3** in the address line and press the enter key.
 2. **i Web browser signals a security vulnerability**

After the IP address has been confirmed by pressing the enter key, a message might appear indicating that the connection to the user interface of the inverter is not secure. SMA Solar Technology AG guarantees that calling up the user interface is secure.

 - Continue loading the user interface.
- The login page of the user interface opens.

4.1.2 Establishing a direct connection via WLAN

Requirements:

- The product must be commissioned.
- An end device (e.g. computer, tablet PC or smartphone) must be available.
- The respective latest version of one of the following web browsers must be installed: Chrome, Edge, Firefox, Internet Explorer or Safari.
- JavaScript must be enabled in the web browser of the end device.
- The SMA Grid Guard code of the Installer must be available for the changing of grid-relevant settings after completion of the first ten feed-in hours or installation assistant (see "Application for SMA Grid Guard Code" at www.SMA-Solar.com).

i SSID, IP address and necessary passwords

- SSID in WLAN: SMA[serial number] (e.g. SMA0123456789)
- Standard WLAN password (usable until completion of the configuration by means of the installation assistant or prior to the end of the first ten feed-in hours): SMA12345
- Device-specific WLAN password (usable for initial configuration to completion of the first ten feed-in hours): see WPA2-PSK on the type label of the inverter or on the back of the manual included in the delivery
- Standard IP address for a direct connection via WLAN outside of a local network:
192.168.12.3

i Importing and exporting files with end devices having an iOS operating system is not possible.

For technical reasons, importing and exporting files (e.g. importing an inverter configuration, saving the current inverter configuration or exporting events) is not possible with mobile end devices having an iOS operating system.

- Use an end device that does not have an iOS operating system for importing and exporting files.

The procedure can be different depending on the end devices. If the procedure described does not apply to your end device, establish the direct connection via WLAN as described in the manual of your end device.

Procedure:

1. If your end device has a WPS function:
 - Activate the WPS function on the inverter. To do this, tap twice in succession on the enclosure lid of the DC-Connection Unit next to the LEDs.
 - The blue LED flashes quickly for approx. two minutes. The WPS function is active during this time.
 - Activate the WPS on your end device.
 - The connection with your end device will be established automatically. It can take up to 20 seconds for this connection to be established.
2. If your end device has not a WPS function:
 - Search for WLAN networks with your end device.
 - Select the SSID of the inverter **SMA[serial number]** in the list with the found WLAN networks.
 - Enter the inverter WLAN password. Within the first ten feed-in hours and prior to completing the configuration by means of the installation assistant, you must use the standard WLAN password **SMA12345**. After the first ten feed-in hours or after completing the configuration by means of the installation assistant, you must use the device-specific WLAN password (WPA2-PSK) of the inverter. You find the WLAN password (WPA2-PSK) on the type label.
3. Enter the IP address **192.168.12.3** or, if your device supports mDNS services, **SMA[serial number].local** or **https://SMA[serial number]** in the address bar of the web browser and press the enter key.

4. **i** Web browser signals a security vulnerability

After the IP address has been confirmed by pressing the enter key, a message might appear indicating that the connection to the user interface of the inverter is not secure. SMA Solar Technology AG guarantees that calling up the user interface is secure.

- Continue loading the user interface.
- The login page of the user interface opens.

4.1.3 Establishing a Connection via Ethernet in the local network

i New IP address for connecting with a local network

If the product is connected to a local network (e.g. via a router), the product will receive a new IP address. Depending on the type of configuration, the new IP address will be assigned automatically by the DHCP server (router) or manually by you. Upon completion of the configuration, the product can only be reached via the following access addresses:

- Generally applicable access address: IP address manually assigned or assigned by the DHCP server (router) (identification via network scanner software or network configuration of the router).
- Access address for Apple and Linux systems: SMA[serial number].local (e.g. SMA0123456789.local)
- Access address for Windows and Android systems: https://SMA[serial number] (e.g. https://SMA0123456789)

Requirements:

- The product must be connected to the local network via a network cable (e.g. via a router).
- The product must be integrated into the local network. Tip: There are various methods of integrating the product into the local network with the aid of the installation assistant.
- An end device (e.g. computer, tablet PC or smartphone) must be available.
- The end device must be in the same local network as the product.
- The respective latest version of one of the following web browsers must be installed: Chrome, Edge, Firefox, Internet Explorer or Safari.
- The SMA Grid Guard code of the Installer must be available for the changing of grid-relevant settings after completion of the first ten feed-in hours or installation assistant (see "Application for SMA Grid Guard Code" at www.SMA-Solar.com).

Procedure:

1. Open the web browser of your end device, enter the IP address of the inverter in the address line of the web browser and press the enter key.

2. **Web browser signals a security vulnerability**

After the IP address has been confirmed by pressing the enter key, a message might appear indicating that the connection to the user interface of the inverter is not secure. SMA Solar Technology AG guarantees that calling up the user interface is secure.

- Continue loading the user interface.

The login page of the user interface opens.

4.1.4 Establishing a Connection via WLAN in the Local Network

New IP address for connecting with a local network

If the product is connected to a local network (e.g. via a router), the product will receive a new IP address. Depending on the type of configuration, the new IP address will be assigned automatically by the DHCP server (router) or manually by you. Upon completion of the configuration, the product can only be reached via the following access addresses:

- Generally applicable access address: IP address manually assigned or assigned by the DHCP server (router) (identification via network scanner software or network configuration of the router).
- Access address for Apple and Linux systems: SMA[serial number].local (e.g. SMA0123456789.local)
- Access address for Windows and Android systems: https://SMA[serial number] (e.g. https://SMA0123456789)

Requirements:

- The product must be commissioned.
- The product must be integrated into the local network. Tip: There are various methods of integrating the product into the local network with the aid of the installation assistant.
- An end device (e.g. computer, tablet PC or smartphone) must be available.
- The end device must be in the same local network as the product.
- The respective latest version of one of the following web browsers must be installed: Chrome, Edge, Firefox, Internet Explorer or Safari.
- The SMA Grid Guard code of the Installer must be available for the changing of grid-relevant settings after completion of the first ten feed-in hours or installation assistant (see "Application for SMA Grid Guard Code" at www.SMA-Solar.com).

Importing and exporting files with end devices having an iOS operating system is not possible.

For technical reasons, importing and exporting files (e.g. importing an inverter configuration, saving the current inverter configuration or exporting events) is not possible with mobile end devices having an iOS operating system.

- Use an end device that does not have an iOS operating system for importing and exporting files.

Procedure:

1. Enter the IP address of the inverter in the address bar of the web browser.

2. Web browser signals a security vulnerability

After the IP address has been confirmed by pressing the enter key, a message might appear indicating that the connection to the user interface of the inverter is not secure. SMA Solar Technology AG guarantees that calling up the user interface is secure.

- Continue loading the user interface.
- The login page of the user interface opens.

4.2 Logging In and Out of the User Interface

After a connection to the user interface of the inverter has been established, the login page opens. Log onto the user interface as described below.

Usage of cookies

For the correct display of the user interface, cookies are required. The cookies are used for convenience only. By using this user interface you agree to the placement of cookies.

Log in as Installer or User for the First Time

Password for PV systems that are registered in a communication product

The password for the user group **Installer** is also the system password. If you assign a password for the user group **Installer** via the user interface of the inverter, the password must match the PV system password. If the new password for logging onto the user interface does not match the system password in the communication product, the inverter cannot be reached by the communication product.

- A uniform password is assigned for all Speedwire devices in the PV system.

Procedure:

1. In the drop-down list **Language**, select the desired language.
 2. In the **User group** drop-down list, select the entry **Installer** or **User**.
 3. In the **New password** field, enter a new password for the selected user group.
 4. In the **Repeat password** field, enter the new password again.
 5. Select **Login**.
- The **Configuring the Inverter** page opens.

Log in as the User or Installer

1. In the drop-down list **Language**, select the desired language.
 2. In the **User group** drop-down list, select the entry **Installer** or **User**.
 3. Enter the password in the field **Password**.
 4. Select **Login**.
- The start page of the user interface opens.

Log Out as the User or Installer

1. On the right-hand side of the menu bar, select the menu **User Settings**.
 2. In the subsequent context menu, select [**Logout**].
- The login page of the user interface opens. The logout was successful.

4.3 Start Page Design of the User Interface



Figure 2: Start page design of the user interface (example)

Position	Designation	Description
A	Menu	<p>Provides the following functions:</p> <ul style="list-style-type: none"> • Home Opens the user interface homepage • Instantaneous values Current measured values of the inverter • Device Parameters The various operating parameters of the inverter can be viewed and configured here depending on the user group. • Events All events that have occurred in the selected time period are displayed here. The event types are Information, Warning and Error. Currently existing events of the types Error and Warning will be additionally displayed in the Device status viewlet. However, only the higher-priority event is displayed. If, for example, there is a Warning and an Error present at the same time, only the Error will be displayed. • Device configuration Various settings for the inverter can be made here. The selection available is dependent on which user group you are logged in as and the operating system of the device with which the user interface has been called up. • Data You will find all data that is saved in the internal memory of the inverter or on an external storage medium on this page.
B	User settings	<p>Provides the following functions, depending on the user group logged in:</p> <ul style="list-style-type: none"> • Starting the installation assistant • SMA Grid Guard login • Logout
C	Help	<p>Provides the following functions:</p> <ul style="list-style-type: none"> • Displaying information on Open Source licenses used • Link to the website of SMA Solar Technology AG

Position	Designation	Description
D	Status bar	<p>Displays the following information:</p> <ul style="list-style-type: none"> • Inverter serial number • Inverter firmware version • IP address of the inverter within the local network and/or IP address of the inverter during WLAN connection • With WLAN connection: Signal strength of WLAN connection • User group logged in • Date and device time of the inverter
E	Current power and current consumption	<p>Temporal progression of the PV power and the power consumption of the household over the selected time period. Please note, the power consumption will only be displayed if an energy meter is installed in the PV system.</p>
F	Status display	<p>The various areas display information on the current status of the PV system.</p> <ul style="list-style-type: none"> • Device status Displays whether the inverter is currently in a fault-free operating state or whether there is an Error or Warning present. • Current power Displays the power currently being generated by the inverter. • Current consumption Displays the current consumption of the household if an energy meter is installed in the PV system. • Yield Displays the energy yield of the inverter. • Consumption Displays the energy consumption of the household if an energy meter is installed in the PV system. • Feed-in management Displays whether the inverter is currently limiting its active power. • Irradiation / wind speed Depending on the connected sensors, displays the current solar irradiation and/or wind speed. • Temperature measurement Depending on the connected sensors, displays the current temperature of the PV modules and/or the ambient temperature.

4.4 Displaying and Downloading the Stored Data

If an external storage device is plugged in, you can display and download the stored data.

Procedure:

1. Activate the user interface (see Section 4.1, page 19).
2. Log into the user interface (see Section 4.2, page 23).
3. Select the menu **Data**.
4. Select the folder **Data**.
5. To call up the data, select the respective folder and click on the required file.
6. To download the data, select the data type to be exported in the drop-down list. Then apply the time filter and select **Data export**.

4.5 Activating the Smart Inverter Screen

With the Smart Inverter Screen, the most important inverter data is displayed directly on the user interface login page. To activate the Smart Inverter Screen, proceed as listed in the following.

Procedure:

1. Activate the user interface (see Section 4.1, page 19).
 2. Log in as **Installer** or **User**.
 3. Select the menu **User Settings** (see Section 4.3, page 24) on the start page of the user interface.
 4. Select [**Smart Inverter Screen**].
- The Smart Inverter Screen has been activated.

4.6 Starting the Installation Assistant

QUALIFIED PERSON

The installation assistant leads you step-by-step through the steps necessary for the initial configuration of the inverter.

Layout of the installation assistant

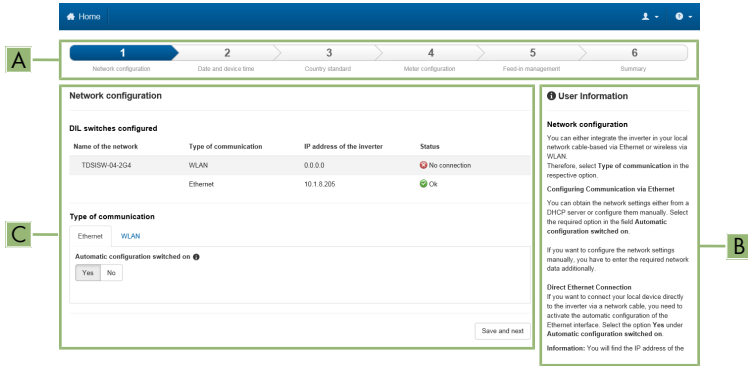


Figure 3: Layout of the installation assistant (example)

Position	Designation	Description
A	Configuration steps	Overview of the installation assistant steps. The number of steps depends on the type of device and the additionally installed modules. The current step is highlighted in blue.
B	User information	Information about the current configuration step and the setting options of the configuration step.
C	Configuration field	You can make settings in this field.

Requirement:

- When configuring after completion of the first ten feed-in hours or after exiting the installation assistant, the SMA Grid Guard code must be available in order to change the grid-relevant parameters (see "Application for SMA Grid Guard Code" at www.SMA-Solar.com).

Procedure:

1. Activate the user interface (see Section 4.1, page 19).
 2. Log in as **Installer**.
 3. Select the menu **User Settings** (see Section 4.3, page 24) on the start page of the user interface.
 4. In the context menu, select [**Starting the installation assistant**].
- The installation assistant will open.

4.7 Activate WPS Function

The WPS function can be used for different purposes:

- Automatic connection to a network (e.g. via router)
- Direct connection between the product and an end device

Depending on the intended application of the WPS function, the procedure for activation will vary.

Activating WPS function for automatic connection to a network

Requirements:

- WLAN must be activated in the product.
- WPS must be activated on the router.

Procedure:

1. Activate the user interface (see Section 4.1, page 19).
 2. Log in as **Installer**.
 3. Start the installation assistant (see Section 4.6, page 27).
 4. Select **Network configuration**.
 5. Select **WPS for WLAN network** button in the **WLAN** tab.
 6. Select **Activate WPS**.
 7. Select **Save and next** and exit the installation assistant.
- The WPS function is activated and the automatic connection to the network can be established.

Activating the WPS function for direct connection to the end device.

- Activate the WPS function on the inverter. To do this, tap twice in succession on the enclosure lid of the DC-Connection Unit next to the LEDs.
 - The blue LED flashes quickly for approx. two minutes. The WPS function is active during this time.

4.8 Switching WLAN On and Off

The inverter is equipped with an activated WLAN interface as standard. If you do not want to use WLAN, you can switch the WLAN function off and switch it on again whenever needed. In doing so, you can switch the WLAN direct connection and the WLAN connection in the local network on independently of each other.

i Switching on the WLAN function only possible via Ethernet connection

If you switch off both the WLAN function for the direct connection and for the connection in the local network, access to the inverter user interface and therefore reactivation of the WLAN interface is only possible via an Ethernet connection.

The basic procedure for changing operating parameters is explained in another section (see Section 4.11 "Changing Operating Parameters", page 31).

Switching WLAN Off

If you would like to switch the WLAN function off completely, you must switch off both the direct connection and the connection in the local network.

Procedure:

- To switch off the direct connection in the parameter group **PV system communication > WLAN**, select the parameter **Soft-access-point is turned on** and set this to **No**.

- To switch off the connection in the local network in the parameter group **PV system communication > WLAN**, select the parameter **WLAN is turned on** and set this to **No**.

Switching WLAN On

If you have switched the WLAN function for direct connection or for connection in the local network off, you can switch the WLAN function back on in accordance with the following procedure.

Requirement:

- If the WLAN function was previously switched off completely, the inverter must be connected to a computer or router via Ethernet.

Procedure:

- To switch on the WLAN direct connection, in the parameter group **PV system communication > WLAN**, select the parameter **Soft-access-point is turned on** and set this to **Yes**.
- To switch on the WLAN connection in the local network, in the parameter group **System communication > WLAN**, select the parameter **WLAN is turned on** and set this to **Yes**.

4.9 Switching the Dynamic Power Display Off

As standard, the inverter signals its power dynamically via the pulsing of the green LED. When doing so, the LED flashes on and off uniformly or is permanently lit at full power. The various gradations are related here to the set active power limit of the inverter. If this display is not desired, switch this function off in accordance with the following procedure. Once this has been done, the green LED is lit permanently to signalize feed-in operation.

The basic procedure for changing operating parameters is explained in another section (see Section 4.11 "Changing Operating Parameters", page 31).

Procedure:

- In the parameter group **Device > Operation**, select the parameter **Dynamic power display via green LED** and set this to **Off**.

4.10 Changing the Password

The password for the inverter can be changed for both user groups. Furthermore, the user group **Installer** can change the password for the user group **User** as well as its own password.

PV systems registered in a communication product

With PV systems that are registered in a communication product (e.g. Sunny Portal, Cluster Controller), you can also assign a new password for the user group **Installer** via the communication product. The password for the user group **Installer** is also the system password. If you assign a password for the user group **Installer** via the user interface of the inverter that does not correspond to the system password in the communication product, the inverter can no longer be reached by the communication product.

- Ensure that the password for the user group **Installer** is the same as the system password in the communication product.

Procedure:

1. Activate the user interface (see Section 4.1, page 19).
2. Log into the user interface (see Section 4.2, page 23).
3. Call up the menu **Device Parameters**.
4. Select [**Edit parameters**].
5. In the parameter group **User Rights > Access Control** change the password of the desired user group.
6. Select [**Save all**] to save the changes.

4.11 Changing Operating Parameters

The operating parameters of the inverter are set to certain values by default. You can change the operating parameters to optimize the performance of the inverter.

This section describes the basic procedure for changing operating parameters. Always change operating parameters as described in this section. Some function-sensitive parameters can only be viewed by qualified persons and can only be changed by qualified persons by entering the personal SMA Grid Guard code.

Requirements:

- Changes to grid-relevant parameters must be approved by the responsible grid operator.
- Changes to grid-relevant parameters must be approved by the responsible grid operator.

Procedure:

1. Activate the user interface (see Section 4.1, page 19).
2. Log into the user interface (see Section 4.2, page 23).
3. Call up the menu **Device Parameters**.
4. Select [**Edit parameters**].
5. Log in using the SMA Grid Guard code to change those parameters designated by a lock (only for installers):
 - Select the menu **User Settings** (see Section 4.3, page 24).
 - In the subsequent context menu, select [**SMA Grid Guard login**].
 - Enter the SMA Grid Guard code and select [**Login**].
6. Expand the parameter group that contains the parameter which is to be configured.
7. Change the desired parameters.
8. Select [**Save all**] to save the changes.
- The inverter parameters are set.

Accepting the settings

Saving the made settings is indicated by an hourglass symbol on the user interface. If the DC voltage is sufficient, the data is transferred directly to the inverter and accepted. If the DC voltage is too low (e. g. in the evening), the settings are saved, but they cannot be directly transferred to or accepted by the inverter. As long as the inverter has not yet received and accepted the settings, the hourglass symbol will continue to be displayed on the user interface. The settings will be accepted when there is sufficient DC voltage applied and the inverter restarts. As soon as the hourglass symbol appears on the user interface, the settings have been saved. The settings will not be lost. You can log off of the user interface and leave the system.

4.12 Configuring the Country Data Set

QUALIFIED PERSON

By default, the inverter is set to a universally valid country data set. You must adjust the country data set for the installation site.

The country data set must be set correctly.

If you select a country data set which is not valid for your country and purpose, it can cause a disturbance in the PV system and lead to problems with the grid operator. When selecting the country data set, you must always observe the locally applicable standards and directives as well as the properties of the PV system (e.g. PV system size, grid-connection point).

- If you are not sure which country data set is valid for your country or purpose, contact your grid operator for information on which country data set is to be configured.

The basic procedure for changing operating parameters is explained in another section (see Section 4.11 "Changing Operating Parameters", page 31).

Procedure:

- In the parameter group **Grid monitoring > Grid monitoring** select the parameter **Set country standard** and set the required country data set.

4.13 Configuring Feed-In Management

QUALIFIED PERSON

If required by the grid operator, the inverter can provide grid management services. You can configure these via the inverter feed-in management. Coordinate the configuration of the feed-in management with your grid operator beforehand.

The basic procedure for changing operating parameters is explained in another section (see Section 4.11 "Changing Operating Parameters", page 31).

Procedure:

1. Activate the user interface (see Section 4.1, page 19).
2. Log into the user interface as an **Installer**.
3. On the right-hand side of the menu bar, select the menu **User Settings** (see Section 4.3 "Start Page Design of the User Interface", page 24).

4. In the context menu, select [**Starting the installation assistant**].
5. Select [**Save and next**] until you reach the **Feed-in management** step.
6. Configure the feed-in management as desired.

4.14 Configuring the Rapid Shutdown Function

QUALIFIED PERSON

The Rapid Shutdown function of the inverter must be enabled if the PV modules or PV strings are equipped with an additional DC disconnection unit that disconnects the PV array from the inverter. You can activate the Rapid Shutdown function by selecting one of three available operating modes in accordance with the DC disconnection unit used. If you do not want to use the Rapid Shutdown function, you can deactivate it.

Explanation of operating modes:

Operating mode	Explanation
On	For using an additional DC disconnection unit independent of the inverter between the inverter and PV generator that disconnects the generator.
SunSpec Shutdown	For using PV module switches as per the SunSpec interoperability specification.
Off	The Rapid Shutdown function is deactivated.

Procedure:

1. Activate the user interface (see Section 4.1, page 19).
2. Log into the user interface as an **Installer**.
3. On the right-hand side of the menu bar, select the menu **User Settings** (see Section 4.3 "Start Page Design of the User Interface", page 24).
4. In the context menu, select [**Starting the installation assistant**].
5. Select [**Save and next**] until you reach the **Safety functions** step.
6. Configure the Rapid Shutdown function according to the DC disconnection unit used.

4.15 Changing the Operating Mode of the Multifunction Relay

QUALIFIED PERSON

The default operating mode of the multifunction relay is **Fault indication (FltInd)**. If you decide to use another operating mode and have established the correct electrical connection for this operating mode and the associated connection variant, you will have to change the operating mode of the multifunction relay and make other settings, if necessary.

The basic procedure for changing operating parameters is explained in another section (see Section 4.11 "Changing Operating Parameters", page 31).

Procedure:

1. Call up the menu **Device Parameters**.
2. Select [**Edit parameters**].
3. In the parameter group **Device > Multifunction relay > Operating mode** select the parameter **Operating mode of multifunction relay** or **Mlt.OpMode** and set the desired operating mode.
4. Once you have set the operating mode **Self-consumption** or **SelfCsmP**, you can configure other settings:
 - In the parameter group **Device > Multifunction relay > Self-consumption > Minimum On power** select the parameter **Minimum On power for MFR self-consumption** or **Mlt.MinOnPwr** and set the desired value. This will configure the power threshold from which a load is to be activated.
 - In the parameter group **Device > Multifunction relay > Self-consumption > Minimum power on time** select the parameter **Minimum power On time, MFR self-consumption** or **Mlt.MinOnPwrTmm** and set the desired value. This will configure the minimum time for which the power must have exceeded the minimum switch-on power threshold in order to trip activation of the load.
 - In the parameter group **Device > Multifunction relay > Self-consumption > Minimum On power** select the parameter **Minimum On time for MFR self-consumption** or **Mlt.MinOnTmm** and set the desired value. This will configure the minimum time for which the load remains activated.
5. If you have set the operating mode **Control via communication** or **ComCtl**, in the parameter group **Device > Multifunction relay > Control via communication > Status** select the parameter **Status of MFR with control via communication** or **Mlt.ComCtl.Sw** and set the desired value. This determines whether the multifunction relay can be controlled via a communication product.
6. If you have set the operating mode **Battery bank** or **BatCha**, make further settings:
 - In the parameter group **Device > Multifunction relay > Battery bank > Minimum On power** select the parameter **Minimum On power for MFR battery bank** or **Mlt.BatCha.Pwr** and set the desired value. This will configure the power threshold from which the battery is to be charged.
 - In the parameter group **Device > Multifunction relay > Battery bank > Minimum time before reconnection** select the parameter **Minimum time before reconnection of MFR battery bank** or **Mlt.BatCha.Tmm** and set the desired value. This will configure the minimum time which must elapse after charging the battery before the battery can be charged again.
7. Select [**Save all**] to save the changes.

4.16 Configuring the Modbus Function

QUALIFIED PERSON

The Modbus interface is deactivated by default and the communication ports 502 set.

In order to access SMA inverters with SMA Modbus® or SunSpec® Modbus®, the Modbus interface must be activated. After activating the interface, the communication ports of both IP protocols can be changed. For information on commissioning and configuration of the Modbus interface, see the technical information "SMA and SunSpec Modbus® Interface" at www.SMA-Solar.com.

For information on which Modbus registers are supported, see the technical information "Modbus® parameters and measured values" at www.SMA-Solar.com.

Data security during activated Modbus interface

If you activate the Modbus interface, there is a risk that unauthorized users may access and manipulate the data or devices in your PV system.

To ensure data security, take appropriate protective measures such as:

- Set up a firewall
- Close unnecessary network ports.
- Only enable remote access via VPN tunnel.
- Do not set up port forwarding at the communication port in use.
- In order to deactivate the Modbus interface, reset the inverter to the default settings or deactivate the activated parameter again.

Procedure:

- Activate the Modbus interface and adjust the communication ports if necessary (see the technical information "SMA and SunSpec Modbus® Interface" at www.SMA-Solar.com).

4.17 Setting SMA OptiTrac Global Peak

QUALIFIED PERSON

For partially shaded PV modules, you should set the interval at which the inverter is to optimize the MPP of the PV system. If you do not want to use SMA OptiTrac Global Peak feature, you can deactivate the feature.

The basic procedure for changing operating parameters is explained in another section (see Section 4.11 "Changing Operating Parameters", page 31).

Procedure:

- In the parameter group **DC-side > DC settings > OptiTrac Global Peak**, set the parameter **Cycle time of the OptiTrac Global Peak algorithm** and set the required time interval. The ideal time interval is usually six minutes. This value should only be increased if the shading situation changes extremely slowly.
 - The inverter optimizes the MPP of the PV system at the predetermined time interval.
- In order to deactivate the SMA OptiTrac Global Peak feature, in the parameter group **DC-side > DC settings > OptiTrac Global Peak**, set the parameter **OptiTrac Global Peak switched on** to **Off**.

4.18 Deactivating the Arc-Fault Circuit Interrupter (AFCI)

⚠ QUALIFIED PERSON

The basic procedure for changing operating parameters is explained in another section (see Section 4.11 "Changing Operating Parameters", page 31).

Procedure:

- Select the parameter **AFCI switched on** or **AfcilsOn** and set to **No**.

4.19 Activating String-Failure Detection

⚠ QUALIFIED PERSON

1. Activate the user interface (see Section 4.1, page 19).
2. Log into the user interface as an **Installer**.
3. On the right-hand side of the menu bar, select the menu **User Settings** (see Section 4.3 "Start Page Design of the User Interface", page 24).
4. In the context menu, select **[Starting the installation assistant]**.
5. Select **[Save and next]** until you reach the **String configuration** step.
6. Activate string-failure detection and configure it as required.

4.20 Saving the Configuration in a File

You can save the current configuration of the inverter in a file. You can use this file as a data backup for this inverter and then import this file into this inverter again or another inverter from the same type or device family to configure the inverter. When saving, only the device parameters will be saved, not any passwords.

Procedure:

1. Activate the user interface (see Section 4.1, page 19).
2. Log into the user interface (see Section 4.2, page 23).
3. Select the menu **Device Configuration**.
4. Select **[Settings]**.
5. In the context menu, select **[Saving the configuration in a file]**.
6. Follow the instructions in the dialog.

4.21 Adopting a Configuration from a File

⚠ QUALIFIED PERSON

To configure the inverter, you can adopt the configuration from a file. To be able to do this, you must first save the configuration of another inverter from the same type or device family in a file (see Section 4.20 "Saving the Configuration in a File", page 36). When saving, only the device parameters will be adopted, not any passwords.

Requirements:

- Changes to grid-relevant parameters must be approved by the responsible grid operator.
- The SMA Grid Guard code must be available (see "Application for SMA Grid Guard Code" at www.SMA-Solar.com).

Procedure:

1. Activate the user interface (see Section 4.1, page 19).
2. Log into the user interface as an **Installer**.
3. Select the menu **Device Configuration**.
4. Select [**Settings**].
5. In the context menu, select [**Adopting the configuration from a file**].
6. Follow the instructions in the dialog.

4.22 Updating the Firmware

QUALIFIED PERSON

If no automatic update is set for the inverter in the communication product (e.g. SMA Data Manager, Cluster Controller, Sunny Portal) or via the user interface of the inverter, you have the option of carrying out a manual firmware update.

There are two options to update the firmware:

- Update the firmware via the user interface of the inverter.
- Update the firmware via USB flash drive.

Updating firmware via the user interface

Requirements:

- An update file with the desired inverter firmware must be available. The update file is, for example, available for download on the product page of the inverter at www.SMA-Solar.com.

Procedure:

1. Activate the user interface (see Section 4.1, page 19).
2. Log into the user interface (see Section 4.2, page 23).
3. Select the menu **Device Configuration**.
4. In the inverter row, click on the gear icon and select **Update firmware**.
5. Select [**Browse**] and select the update file for the inverter.
6. Select **Update firmware**.
7. Follow the instructions in the dialog.

Updating the Firmware via USB Flash Drive

Requirement:

- A USB flash drive with maximum 32 GB and file system FAT32 must be available.

Procedure:

1. Create an "UPDATE" folder on the USB stick.
2. Save the update file with the desired firmware in the "UPDATE" folder on the USB flash drive. The update file is, for example, available for download on the product page of the inverter at www.SMA-Solar.com. Make sure that only the update file to which the inverter is to be updated must be saved on the USB flash drive.

3.

⚠ DANGER**Danger to life due to high voltages**

- Disconnect the inverter from any voltage sources and open the enclosure lid of the DC Connection Unit (see the inverter installation manual).

4. Insert the USB flash drive in the USB port on the communication assembly.
5. Commission the inverter (see inverter installation manual).
 - During start-up phase of the inverter, the desired firmware is being installed.

6.

⚠ DANGER**Danger to life due to high voltages**

- Disconnect the inverter from any voltage sources and open the enclosure lid of the DC Connection Unit (see the inverter installation manual).

7. Pull the USB flash drive out of the USB port.
8. Commission the inverter (see inverter installation manual).
9. Call up the user interface of the inverter and check the events to see whether a firmware update has been successfully completed.
10. If the firmware update has not been successfully completed, perform the firmware update again.

5 Cleaning the Inverter

NOTICE

Damage due to cleaning agents

The use of cleaning agents may cause damage to the product and its components.

- Clean the product and all its components only with a cloth moistened with clear water.
- Ensure that the inverter is free of dust, foliage and other dirt.

6 Troubleshooting

6.1 Forgotten Password

If you have forgotten the password for the inverter, you can unlock the inverter with a Personal Unlocking Key (PUK). For each inverter, there is one PUK for each user group (**User** and **Installer**).
Tip: With PV systems in Sunny Portal, you can also assign a new password via Sunny Portal for the user group **Installer**. The password for the user group **Installer** is the same as the system password in Sunny Portal.

Procedure:

1. Request PUK (application form available at www.SMA-Solar.com).
2. Activate the user interface (see Section 4.1, page 19).
3. Enter the PUK instead of the password into the field **Password**.
4. Select **Login**.
5. Call up the menu **Device Parameters**.
6. Select [**Edit parameters**].
7. In the parameter group **User Rights > Access Control** change the password of the desired user group.
8. Select [**Save all**] to save the changes.

PV Systems in Sunny Portal

The password for the user group **Installer** is also the system password for the PV system in Sunny Portal. Changing the password of the user group **Installer** can lead to the inverter no longer being able to be reached by Sunny Portal.

- Assign the changed password of the user group **Installer** as the new system password in Sunny Portal (see the Sunny Portal user manual at www.SMA-Solar.com).

6.2 Event Messages

Event number	Message, cause and corrective measures
101	<p data-bbox="311 236 595 268">⚠ QUALIFIED PERSON</p> <p data-bbox="288 284 392 311">Grid fault</p> <p data-bbox="288 319 983 375">The grid voltage or grid impedance at the connection point of the inverter is too high. The inverter has disconnected from the utility grid.</p> <p data-bbox="288 383 509 410">Corrective measures:</p> <ul data-bbox="311 418 991 662" style="list-style-type: none"> <li data-bbox="311 418 991 598">• Check whether the grid voltage at the connection point of the inverter is permanently in the permissible range. If the grid voltage is outside the permissible range due to local grid conditions, contact the grid operator. The grid operator must agree with an adjustment of the voltage at the feed-in point or with a change of the monitored operating limits. If the grid voltage is permanently within the permissible range and this message is still displayed, contact Service.
301	<p data-bbox="311 673 595 705">⚠ QUALIFIED PERSON</p> <p data-bbox="288 721 392 748">Grid fault</p> <p data-bbox="288 756 994 869">The ten-minute average value of the grid voltage is no longer within the permissible range. The grid voltage or grid impedance at the connection point is too high. The inverter disconnects from the utility grid to maintain power quality.</p> <p data-bbox="288 877 509 904">Corrective measures:</p> <ul data-bbox="311 912 991 1161" style="list-style-type: none"> <li data-bbox="311 912 991 1161">• During the feed-in operation, check whether the grid voltage at the connection point of the inverter is permanently in the permissible range. If the grid voltage is outside the permissible range due to local grid conditions, contact the grid operator. The grid operator must agree with an adjustment of the voltage at the feed-in point or with a change of the monitored operating limits. If the grid voltage is permanently within the permissible range and this message is still displayed, contact Service.
401	<p data-bbox="311 1173 595 1204">⚠ QUALIFIED PERSON</p> <p data-bbox="288 1220 392 1248">Grid fault</p> <p data-bbox="288 1256 1005 1311">The inverter has disconnected from the utility grid. A stand-alone grid or a very large change in the power frequency was detected.</p> <p data-bbox="288 1319 509 1347">Corrective measures:</p> <ul data-bbox="311 1355 1005 1380" style="list-style-type: none"> <li data-bbox="311 1355 1005 1380">• Check the grid connection for significant short-term frequency fluctuations.

Event number	Message, cause and corrective measures
501	<p data-bbox="311 188 595 220">⚠ QUALIFIED PERSON</p> <p data-bbox="288 236 392 260">Grid fault</p> <p data-bbox="288 272 992 325">The power frequency is not within the permissible range. The inverter has disconnected from the utility grid.</p> <p data-bbox="288 336 508 360">Corrective measures:</p> <ul data-bbox="311 371 907 424" style="list-style-type: none"> <li data-bbox="311 371 907 424">• If possible, check the power frequency and observe how often fluctuations occur. <p data-bbox="333 435 995 517">If fluctuations occur frequently and this message is displayed often, contact the grid operator and request approval to change the operating parameters of the inverter.</p> <p data-bbox="333 528 938 580">If the grid operator gives his approval, discuss any changes to the operating parameters with the Service.</p>
601	<p data-bbox="311 598 595 630">⚠ QUALIFIED PERSON</p> <p data-bbox="288 646 392 670">Grid fault</p> <p data-bbox="288 683 978 735">The inverter has detected an excessively high proportion of direct current in the grid current.</p> <p data-bbox="288 746 508 770">Corrective measures:</p> <ul data-bbox="311 782 967 868" style="list-style-type: none"> <li data-bbox="311 782 736 805">• Check the grid connection for direct current. <li data-bbox="311 817 967 868">• If this message is displayed frequently, contact the grid operator and check whether the monitoring threshold on the inverter can be raised.
801	<p data-bbox="311 885 595 917">⚠ QUALIFIED PERSON</p> <p data-bbox="288 933 960 957">Waiting for grid voltage > Grid failure > Check AC circuit breaker</p> <p data-bbox="288 970 1006 1023">The AC cable is not correctly connected or the country data set is not correctly configured.</p> <p data-bbox="288 1034 508 1058">Corrective measures:</p> <ul data-bbox="311 1069 990 1254" style="list-style-type: none"> <li data-bbox="311 1069 784 1093">• Make sure that the circuit breaker is switched on. <li data-bbox="311 1104 931 1157">• Ensure that the AC cable is not damaged and that it is connected correctly. <li data-bbox="311 1168 907 1192">• Ensure that the country data set has been configured correctly. <li data-bbox="311 1203 990 1254">• Check whether the grid voltage at the connection point of the inverter is permanently in the permissible range. <p data-bbox="333 1265 992 1375">If the grid voltage is outside the permissible range due to local grid conditions, contact the grid operator. The grid operator must agree with an adjustment of the voltage at the feed-in point or with a change of the monitored operating limits.</p> <p data-bbox="333 1386 976 1439">If the grid voltage is permanently within the permissible range and this message is still displayed, contact Service.</p>

Event number	Message, cause and corrective measures
901	<p>⚠ QUALIFIED PERSON</p> <p>PE conn. missing > Check connection</p> <p>The grounding conductor is not correctly connected.</p> <p>Corrective measures:</p> <ul style="list-style-type: none"> • Ensure that the grounding conductor is correctly connected.
3401 3402 3404 3407 3410 3411 3412	<p>⚠ QUALIFIED PERSON</p> <p>DC overvoltage > Disconnect generator</p> <p>Overvoltage at the DC input. This can destroy the inverter.</p> <p>This message is signalized additionally by rapid flashing of the LEDs.</p> <p>Corrective measures:</p> <ul style="list-style-type: none"> • Immediately disconnect the inverter from all voltage sources. • Check whether the DC voltage is below the maximum input voltage of the inverter. If the DC voltage is below the maximum input voltage of the inverter, reconnect the DC connectors to the inverter. • If the DC voltage exceeds the maximum input voltage of the inverter, ensure that the PV array has been correctly rated or contact the installer of the PV array. • If this message is repeated frequently, contact the Service.
3501	<p>⚠ QUALIFIED PERSON</p> <p>Insulation failure > Check generator</p> <p>The inverter has detected a ground fault in the PV array.</p> <p>Corrective measures:</p> <ul style="list-style-type: none"> • Check the PV system for ground faults.
3701	<p>⚠ QUALIFIED PERSON</p> <p>Resid.curr.too.high > Check generator</p> <p>The inverter has detected a residual current due to temporary grounding of the PV array.</p> <p>Corrective measures:</p> <ul style="list-style-type: none"> • Check the PV system for ground faults.

Event number	Message, cause and corrective measures
3801	⚠ QUALIFIED PERSON
3802	DC overcurrent > Check generator
3803	Overcurrent at the DC input. The inverter briefly interrupts feed-in operation.
3805	Corrective measures:
3806	<ul style="list-style-type: none"> If this message is displayed frequently, ensure that the PV array has been correctly rated and wired.
3807	
3808	
6002 to 6412	⚠ QUALIFIED PERSON
	Self diagnosis > Interference device
	The cause must be determined by the Service.
	Corrective measures:
	<ul style="list-style-type: none"> Contact Service.
6502	⚠ QUALIFIED PERSON
	Self-diagnosis > Overtemperature
	The inverter has switched off due to excessive temperature.
	Corrective measures:
	<ul style="list-style-type: none"> Clean the cooling fins on the rear of the enclosure and the air ducts on the top using a soft brush. Ensure that the inverter has sufficient ventilation. Ensure that the ambient temperature +35 °C (95 °F) has not been exceeded. Ensure that the inverter is not exposed to direct solar irradiation.
6512	Minimum operating temperature not reached
	The inverter will only recommence grid feed-in once the temperature has reached at least -25 °C.
6603	⚠ QUALIFIED PERSON
6604	Self-diagnosis > Overload
	The cause must be determined by the Service.
	Corrective measures:
	<ul style="list-style-type: none"> Contact Service.

Event number	Message, cause and corrective measures
6701 6702	<p>⚠ QUALIFIED PERSON</p> <p>Communication disturbed</p> <p>Error in the communication processor, the inverter continues feeding in, however. The cause must be determined by the Service.</p> <p>Corrective measures:</p> <ul style="list-style-type: none"> • If this message is displayed frequently, contact the Service.
7102	<p>⚠ QUALIFIED PERSON</p> <p>Parameter file not found or defective</p> <p>The parameter file was not found or is defective. Loading the parameter file has failed. The inverter continues to feed in.</p> <p>Corrective measures:</p> <ul style="list-style-type: none"> • Copy the parameter file to the correct folder again.
7105	<p>⚠ QUALIFIED PERSON</p> <p>Param. setting failed</p> <p>Parameters could not be set using the memory card. The inverter continues to feed in.</p> <p>Corrective measures:</p> <ul style="list-style-type: none"> • Ensure that the parameters are set correctly. • Ensure that the SMA Grid Guard code is available.
7106	<p>Update file defect.</p> <p>The update file is defective. The update failed. The inverter continues to feed in.</p>
7110	<p>No update file found</p> <p>No new update file was found on the SD memory card. The update failed. The inverter continues to feed in.</p>
7112	<p>Update file successfully copied</p>
7113	<p>The memory card is full or write-protected</p>
7201 7202	<p>Data storage not possible</p>
7303	<p>⚠ QUALIFIED PERSON</p> <p>Update main CPU failed</p> <p>The cause must be determined by the Service.</p> <p>Corrective measures:</p> <ul style="list-style-type: none"> • Contact Service.

Event number	Message, cause and corrective measures
7320	<p>The device with serial number [xx] was successfully updated to firmware version [xxx].</p> <p>The firmware update was completed successfully.</p>
7330	<p>Condition test failed</p> <p>The testing of the update conditions was not successful. The firmware update package is not suitable for this inverter.</p>
7331	<p>Update transport started</p> <p>Update file is being copied.</p>
7332	<p>Update transport successful</p> <p>Update file was copied successfully to the inverter's internal memory.</p>
7333	<p>⚠ QUALIFIED PERSON</p> <p>Update transport failed</p> <p>Update file could not be copied to the inverter's internal memory. In the event of connection with the inverter via WLAN, a poor connection quality can be the cause.</p> <p>Corrective measures:</p> <ul style="list-style-type: none"> • Retry update. • For WLAN connection: Improve the WLAN connection quality (e.g. via WLAN repeater) or establish connection with the inverter via Ethernet. • If this message is displayed again, contact the Service.
7341	<p>Update Bootloader</p> <p>The inverter is performing a bootloader update.</p>
7342	<p>⚠ QUALIFIED PERSON</p> <p>Update Bootloader failed</p> <p>The bootloader update failed.</p> <p>Corrective measures:</p> <ul style="list-style-type: none"> • Retry update. • If this message is displayed again, contact the Service.
7347	<p>⚠ QUALIFIED PERSON</p> <p>Incompatible file</p> <p>The configuration file is not suitable for this inverter.</p> <p>Corrective measures:</p> <ul style="list-style-type: none"> • Ensure that the selected configuration file is suitable for this inverter. • Retry import.

Event number	Message, cause and corrective measures
7348	<p>⚠ QUALIFIED PERSON</p> <p>Incorrect file format The configuration file is not of the required format or is damaged.</p> <p>Corrective measures:</p> <ul style="list-style-type: none"> • Ensure that the selected configuration file is of the required format and is not damaged. • Retry import.
7350	<p>Transfer of a configuration file has started The configuration file is being transferred.</p>
7351	<p>Update WLAN The inverter is updating the WLAN module.</p>
7352	<p>Update of WLAN not successful The update of the WLAN module failed.</p> <p>Corrective measures:</p> <ul style="list-style-type: none"> • Retry update. • If this message is displayed again, contact the Service.
7353	<p>Update time zone database The inverter is updating the time zone database.</p>
7354	<p>⚠ QUALIFIED PERSON</p> <p>Update of time zone database not successful The update of the time zone database failed.</p> <p>Corrective measures:</p> <ul style="list-style-type: none"> • Retry update. • If this message is displayed again, contact the Service.
7355	<p>Update WebUI The inverter is updating the inverter user interface.</p>
7356	<p>⚠ QUALIFIED PERSON</p> <p>Update of the WebUI not successful The update of the inverter user interface failed.</p> <p>Corrective measures:</p> <ul style="list-style-type: none"> • Retry update. • If this message is displayed again, contact the Service.
7500 7501	<p>⚠ QUALIFIED PERSON</p> <p>Fan fault > Check inverter electronic and fan</p>

Event number	Message, cause and corrective measures
7619	<p data-bbox="311 188 596 220">⚠ QUALIFIED PERSON</p> <p data-bbox="288 236 1003 260">Communication fault with meter unit > Check communication to meter</p> <p data-bbox="288 272 841 296">The inverter is not receiving any data from the energy meter.</p> <p data-bbox="288 309 508 333">Corrective measures:</p> <ul data-bbox="311 341 1012 485" style="list-style-type: none"> <li data-bbox="311 341 1012 397">• Ensure that the energy meter is correctly integrated into the same network as the inverter (see energy meter manual). <li data-bbox="311 405 1012 485">• For WLAN connection: Improve the WLAN connection quality (e.g. via WLAN repeater) or connect the inverter with the DHCP server (router) via Ethernet.
7702	<p data-bbox="311 507 596 539">⚠ QUALIFIED PERSON</p> <p data-bbox="288 555 488 579">Interference device</p> <p data-bbox="288 592 708 616">The cause must be determined by the Service.</p> <p data-bbox="288 628 508 652">Corrective measures:</p> <ul data-bbox="311 660 488 684" style="list-style-type: none"> <li data-bbox="311 660 488 684">• Contact Service.
8003	<p data-bbox="311 702 596 734">⚠ QUALIFIED PERSON</p> <p data-bbox="288 750 596 774">Active power limited derating</p> <p data-bbox="288 786 1003 842">The inverter has reduced its power output for more than ten minutes due to excessive temperature.</p> <p data-bbox="288 855 508 879">Corrective measures:</p> <ul data-bbox="311 887 981 1074" style="list-style-type: none"> <li data-bbox="311 887 981 943">• Clean the cooling fins on the rear of the enclosure and the air ducts on the top using a soft brush. <li data-bbox="311 951 770 975">• Ensure that the inverter has sufficient ventilation. <li data-bbox="311 983 936 1038">• Ensure that the ambient temperature +35°C (95°F) has not been exceeded. <li data-bbox="311 1046 919 1074">• Ensure that the inverter is not exposed to direct solar irradiation.
8101 8102 8103 8104	<p data-bbox="311 1085 596 1117">⚠ QUALIFIED PERSON</p> <p data-bbox="288 1133 555 1157">Communication disturbed</p> <p data-bbox="288 1169 708 1193">The cause must be determined by the Service.</p> <p data-bbox="288 1206 508 1230">Corrective measures:</p> <ul data-bbox="311 1238 488 1262" style="list-style-type: none"> <li data-bbox="311 1238 488 1262">• Contact Service.

Event number	Message, cause and corrective measures
9002	<p>⚠ QUALIFIED PERSON</p> <p>SMA Grid Guard code invalid</p> <p>The SMA Grid Guard code entered is incorrect. The operating parameters are still protected and cannot be changed.</p> <p>Corrective measures:</p> <ul style="list-style-type: none"> • Enter the correct SMA Grid Guard code.
9003	<p>Grid parameter locked</p> <p>Changes to the grid parameters are now blocked. In order to be able to make changes to the grid parameters, from now on you must log in using the SMA Grid Guard code.</p>
9005	<p>⚠ QUALIFIED PERSON</p> <p>Changing of grid parameters not possible > Ensure DC supply</p> <p>This error can have the following causes:</p> <ul style="list-style-type: none"> • The parameters to be changed are protected. • The DC voltage at the DC input is not sufficient to run the main CPU. <p>Corrective measures:</p> <ul style="list-style-type: none"> • Enter the SMA Grid Guard code. • Ensure that at least the DC start voltage is available (green LED is flashing, pulsing or glowing).
9007	<p>⚠ QUALIFIED PERSON</p> <p>Abort self-test</p> <p>The self-test (Italy only) was terminated.</p> <p>Corrective measures:</p> <ul style="list-style-type: none"> • Ensure that the AC connection is correct. • Restart the self-test.
9033	<p>Rapid Shutdown was triggered</p> <p>The inverter detected the triggering of a Rapid Shutdown. The AC side of the inverter was disconnected.</p>

Event number	Message, cause and corrective measures
9034	<p>⚠ QUALIFIED PERSON</p> <p>Error in Rapid Shutdown System</p> <p>This message can have the following causes:</p> <ul style="list-style-type: none"> • The Rapid Shutdown Function was not correctly configured. • The PV generator could not be correctly disconnected. Voltage can be applied to the DC inputs of the inverter. • The standby voltage of all PV module switches of a string is > 30 V. <p>Corrective measures:</p> <ul style="list-style-type: none"> • Check the configuration of the Rapid Shutdown function and ensure that the operating mode selected is selected according to the DC disconnection unit used. • Check the functionality of the PV module switches. • Check the standby voltage of the PV module switches used and ensure that the standby voltage of all PV module switches of a string < 30 V.
9035	<p>Rapid Shutdown successful</p> <p>The voltage at the DC inputs and at the AC output of the inverter was successfully discharged.</p>
9037	<p>⚠ QUALIFIED PERSON</p> <p>Generator connection not carried out</p> <p>The PV module switches did not connect the PV generator.</p> <p>Corrective measures:</p> <ul style="list-style-type: none"> • Check the functionality of the SunSpec-compliant PV module switches.
9038	<p>⚠ QUALIFIED PERSON</p> <p>Redundant Rapid Shutdown discharge function not ensured</p> <p>The cause must be determined by the Service.</p> <p>Corrective measures:</p> <ul style="list-style-type: none"> • Contact Service.
10108	Time adjusted / old time
10109	Time adjusted / new time

Event number	Message, cause and corrective measures
10110	<p>⚠ QUALIFIED PERSON</p> <p>Time synchronization failed: xx </p> <p>No time information could be called up from the set NTP server.</p> <p>Corrective measures:</p> <ul style="list-style-type: none"> • Ensure that the NTP server was configured correctly. • Ensure that the inverter is integrated into a local network with Internet connection.
10118	<p>Parameter upload complete</p> <p>The configuration file was loaded successfully.</p>
10248	<p>⚠ QUALIFIED PERSON</p> <p>[Interface]: network busy</p> <p>The network is busy. Data exchange between the devices is not at an optimum and is greatly delayed.</p> <p>Corrective measures:</p> <ul style="list-style-type: none"> • Increase the query intervals. • If necessary, reduce the number of devices in the network.
10249	<p>⚠ QUALIFIED PERSON</p> <p>[Interface]: network overloaded</p> <p>The network is overloaded. There is no data exchange between the devices.</p> <p>Corrective measures:</p> <ul style="list-style-type: none"> • Reduce the number of devices in the network. • If necessary, increase the data query intervals.
10250	<p>⚠ QUALIFIED PERSON</p> <p>[Interface]: package error rate [ok / high]</p> <p>The package error rate has changed. If the package error rate is high, the network is overloaded or the connection to the network switch or DHCP server (router) is disturbed.</p> <p>Corrective measures if the package error rate is high:</p> <ul style="list-style-type: none"> • Ensure that with an Ethernet connection, the network cable and the network connector are not damaged and that the network connectors are correctly plugged. • If necessary, increase the data query intervals. • If necessary, reduce the number of devices in the network.

Event number	Message, cause and corrective measures
10251	<p>[Interface]: communication status goes to [OK / Warning / Error / Not connected]</p> <p>The communication status to the network switch or DHCP server (router) has changed. An additional error message may be displayed.</p>
10252	<p>⚠ QUALIFIED PERSON</p> <p>[Interface]: communication disrupted</p> <p>There is no valid signal on the network line.</p> <p>Corrective measures:</p> <ul style="list-style-type: none"> • Ensure that with an Ethernet connection, the network cable and the network connector are not damaged and that the network connectors are correctly plugged. • Ensure that the DHCP server (router) and any network switches are signaling correct operation.
10253	<p>⚠ QUALIFIED PERSON</p> <p>[Interface]: connection speed goes to [100 Mbit / 10 Mbit]</p> <p>The data transfer rate has changed. The cause for the status [10 Mbit] can be a defective plug, a defective cable or the pulling or plugging of the network connector.</p> <p>Corrective measures if the status is [10 Mbit]:</p> <ul style="list-style-type: none"> • Ensure that with an Ethernet connection, the network cable and the network connector are not damaged and that the network connectors are correctly plugged. • Ensure that the DHCP server (router) and any network switches are signaling correct operation.
10254	<p>⚠ QUALIFIED PERSON</p> <p>[Interface]: duplex mode goes to [Full / Half]</p> <p>The duplex mode (data transfer mode) has changed. The cause for the status [Half] can be a defective plug, a defective cable or the pulling or plugging of the network connector.</p> <p>Corrective measures if the status is [Half]:</p> <ul style="list-style-type: none"> • Ensure that with an Ethernet connection, the network cable and the network connector are not damaged and that the network connectors are correctly plugged. • Ensure that the DHCP server (router) and any network switches are signaling correct operation.

Event number	Message, cause and corrective measures
10255	<p>⚠ QUALIFIED PERSON</p> <p>[Interface]: Network load OK</p> <p>The network load has returned to a normal range after being busy.</p>
10282	<p>[User group]-Login via [protocol] locked</p> <p>After several incorrect login attempts, login has been blocked for a limited time. In this case, the User login will be blocked for 15 minutes, the Grid Guard login for 12 hours.</p> <p>Corrective measures:</p> <ul style="list-style-type: none"> • Wait until the given time has expired and then retry login.
10283	<p>⚠ QUALIFIED PERSON</p> <p>WLAN module faulty</p> <p>The WLAN module integrated in the inverter is defective.</p> <p>Corrective measures:</p> <ul style="list-style-type: none"> • Contact Service.
10284	<p>⚠ QUALIFIED PERSON</p> <p>No WLAN connection possible</p> <p>The inverter does not currently have a WLAN connection to the selected network.</p> <p>Corrective measures:</p> <ul style="list-style-type: none"> • Ensure that the SSID, the WLAN password and the encryption method have been entered correctly. The encryption method is specified by your WLAN router or WLAN Access Point and can be changed there. • Ensure that the WLAN router or WLAN Access Point is in range and is signaling correct operation. • If this message is displayed often, improve the WLAN connection by using a WLAN repeater.
10285	<p>WLAN connection established</p> <p>Connection to the selected WLAN network has been established.</p>

Event number	Message, cause and corrective measures
10286	<p>⚠ QUALIFIED PERSON</p> <p>WLAN connection lost</p> <p>The inverter has lost WLAN connection to the selected network.</p> <p>Corrective measures:</p> <ul style="list-style-type: none"> • Ensure that the WLAN router or WLAN Access Point is still active. • Ensure that the WLAN router or WLAN Access Point is in range and is signalizing correct operation. • If this message is displayed often, improve the WLAN connection by using a WLAN repeater.
10339	Webconnect enabled
10340	Webconnect disabled
10341	Webconnect error: no connection
10343	Webconnect error: Default gateway not configured
10344	Webconnect error: DNS server not configured
10345	Webconnect error: No reply to DNS request xx
10346	Webconnect error: Unknown SIP proxy xx
10347	Webconnect error: Unknown STUN server [xx]
10348	Webconnect error: No reply to request to STUN server
10349	Webconnect error: No reply to SIP option packs
10350	Webconnect error: Registration rejected by SIP registrar
10351	Webconnect error: Unknown SIP registrar xx
10352	Webconnect error: Faulty communication
10353	Webconnect error: registration of the SIP registry has not responded
10502	Active power limited AC frequency
10901	Start self-test [xx]
10902	Uac RPro [xxx] V
10903	Uac Max [xxx] V
10904	Uac Min [xxx] V
10905	Uac Min Fast [xxx] V
10906	Fac SwMax [xxx] Hz
10907	Fac SwMin [xxx] Hz
10908	Fac Max [xxx] Hz

Event number	Message, cause and corrective measures
10909	Fac Min [xxx] Hz
10910	Disconn. threshold [xxx] [xx]
10911	Stand. Val. [xxx] [xx]
10912	Disconn. time [xx] s
27103	Set parameter The parameter changes are being adopted.
27104	Parameters set successfully The parameter changes were successfully adopted.
27107	Update file OK The update file found is valid.
27301	Update communication The inverter is updating the communication component.
27302	Update main CPU The inverter is updating the inverter component.
27312	Update completed The inverter has successfully completed the update.
29001	Inst. code valid The entered Grid Guard code is valid. Protected parameters have now been unlocked and you can adjust the parameters. The parameters will be automatically locked again after ten feed-in hours.
29004	Grid parameters unchanged Changing the grid parameters is not possible.

6.3 Checking the PV System for Ground Faults

QUALIFIED PERSON

DANGER

Danger to life due to electric shock when touching live system components in case of a ground fault

If a ground fault occurs, parts of the system may still be live. Touching live parts and cables results in death or lethal injuries due to electric shock.

- Disconnect the product from voltage sources and make sure it cannot be reconnected before working on the device.
- Touch the cables of the PV array on the insulation only.
- Do not touch any parts of the substructure or frame of the PV array.
- Do not connect PV strings with ground faults to the inverter.
- Ensure that no voltage is present and wait five minutes before touching any parts of the PV system or the product.

NOTICE

Destruction of the measuring device due to overvoltage

- Only use measuring devices with a DC input voltage range of 1000 V or higher.

Procedure:

In order to check the PV system for ground faults, perform the following actions in the prescribed order. The exact procedure is described in the following sections.

- Check the PV system for ground faults by measuring the voltage.
- If the voltage measurement was not successful, check the PV system via insulation resistance measurement for ground faults.

Test by Measuring the Voltage

Proceed as follows to check each string in the PV system for ground faults.

If PV module switches are installed that comply with the SunSpec communication signal for Rapid Shutdown systems, the voltage measurement can be taken as described. After the inverter is disconnected, the PV module switches no longer receive the "Permission-to-Operate" signal and output a standby voltage instead of the module voltage as per their specification. The respective string voltage can be determined via the standby voltage. When calculating the ground fault location, the module voltage must be replaced with the standby voltage as specified by the PV module switch.

Procedure:

1.

DANGER

Danger to life due to high voltages

- Disconnect the inverter from any voltage sources (see the inverter installation manual).

2. Measure the voltages:

- Measure the voltage between the positive terminal and the ground potential (PE).
- Measure the voltage between the negative terminal and the ground potential (PE).
- Measure the voltage between the positive and negative terminals.

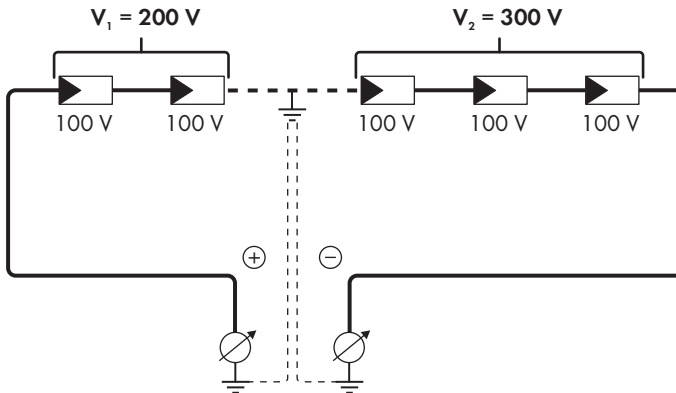
If the following results are present at the same time, there is a ground fault in the PV system:

- All measured voltages are stable.
- The sum of the two voltages to ground potential is approximately equal to the voltage between the positive and negative terminals.

3. If a ground fault is present, determine the location of the ground fault via the ratio of the two measured voltages and eliminate the ground fault.
4. If a definite ground fault cannot be measured and the message is still displayed, measure the insulation resistance.
5. Reconnect the strings without ground faults to the inverter and recommission the inverter (see inverter installation inverter).

Location of the ground fault

The example shows a ground fault between the second and third PV module.



Test by Measuring the Insulation Resistance

If the voltage measurement does not provide sufficient evidence of a ground fault, the insulation resistance measurement can provide more exact results.

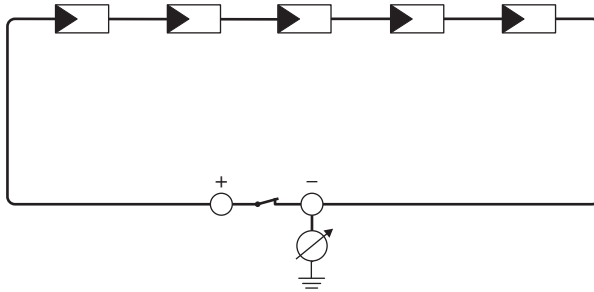


Figure 4: Schematic diagram of the measurement

i Calculating the insulation resistance

The expected total resistance of the PV system or of an individual string can be calculated using the following formula:

$$\frac{1}{R_{\text{total}}} = \frac{1}{R_1} + \frac{1}{R_2} + \frac{1}{R_3} + \dots$$

The exact insulation resistance of a PV module can be obtained from the module manufacturer or the datasheet.

For the resistance of a PV module an average value can be assumed: for thin-film PV modules approximately 40 MOhm and for polycrystalline and monocrystalline PV modules approximately 50 MOhm per PV module (for further information on calculating the insulation resistance see the Technical Information "Insulation Resistance (Riso) of Non-Galvanically Isolated PV Systems" at www.SMA-Solar.com).

Required devices:

- Suitable device for safe disconnection and short-circuiting
- Measuring device for insulation resistance

i Device required for safe disconnection and short-circuiting of the PV array

The insulation resistance can only be measured with a suitable device for safe disconnection and short-circuiting of the PV array. If no suitable device is available, the insulation measurement must not be carried out.

Procedure:

1. Calculate the expected insulation resistance per string.

2.

! DANGER

Danger to life due to high voltages

- Disconnect the inverter from any voltage sources (see the inverter installation manual).

3. Install the short circuit device.
4. Connect the measuring device for insulation resistance.
5. Short-circuit the first string.
6. Set the test voltage. The test voltage should be as close as possible to the maximum system voltage of the PV modules but must not exceed it (see datasheet of the PV modules).
7. Measure the insulation resistance.
8. Eliminate the short circuit.
9. Measure the remaining strings in the same manner.
 - If the insulation resistance of a string deviates considerably from the theoretically calculated value, there is a ground fault present in that string.
10. Reconnect to the inverter only those strings from which the ground fault has been eliminated.
11. Reconnect all other strings to the inverter.
12. Recommission the inverter (see inverter installation manual).
13. If the inverter still displays an insulation error, contact the Service (see Section 9, page 62).
The PV modules might not be suitable for the inverter in the present quantity.

6.4 Resetting the Operation Inhibition after Detection of an Arc Fault

QUALIFIED PERSON

If the red LED is glowing and the event number **4301** or **4302** is shown in the event list on the user interface of the inverter, the inverter has detected an electric arc and interrupts feed-in operation.

Procedure:

1.

 **DANGER**

Danger to life due to electric shock

- Disconnect the inverter from any voltage sources (see the inverter installation manual).

2. Ensure that the PV modules, the connected DC cables and the terminal block for the DC connection are not defective.
Repair or replace defective PV modules, DC cables or terminal block for the DC connection.
 3. Recommission the inverter (see inverter installation manual).
 4. Activate the user interface (see Section 4.1, page 19).
 5. Log into the user interface as an **Installer** (see Section 4.2, page 23).
 6. Reset the operation inhibition by setting one of the following parameters:
 - Select the parameter **Reset operating data** and set to **Reset operation inhibition**.
 - or**
 - Select the parameter **AFCI switched on** and set to **No** and then back to **Yes**.
- This effects resetting of the operation inhibition and the inverter will start feeding in again.

7 Accessories

You will find the accessories for your product in the following overview. If required, these can be ordered from SMA Solar Technology AG or your distributor.

Designation	Short designation	SMA order number
SMA Antenna Extension Kit	Accessory set for one SMA inverter for the optimization of the SMA inverter's WLAN radio range.	EXTANT-US-40
SMA Sensor Module	Interface for one SMA inverter as retrofit kit for capturing environmental data (e.g. solar irradiation, ambient temperature, cell temperature, wind speed or SO meters).	MD.SEN-US-40
Universal mounting system	For wall mounting or as a platform for higher mounting of the inverter on the ground	UMS_KIT-10
SMA 485 Module	Interface for establishing cable-bound communication via RS485	MD.485-US-40

8 Compliance Information

FCC Compliance

This device complies with Part 15 of the FCC Rules.

Operation is subject to the following two conditions:

1. this device may not cause harmful interference, and
2. this device must accept any interference received, including interference that may cause undesired operation.

NOTE: This equipment has been tested and found to comply with the limits for a Class A digital device, pursuant to Part 15 of the FCC Rules. These limits are designed to provide reasonable protection against harmful interference when the equipment is operated in a commercial environment. This equipment generates, uses, and can radiate radio frequency energy and, if not installed and used in accordance with the instruction manual, may cause harmful interference to radio communications. Operation of this equipment in a residential area is likely to cause harmful interference in which case the user will be required to correct the interference at his own expense.

Changes or modifications made to this equipment not expressly approved by SMA Solar Technology AG may void the FCC authorization to operate this equipment.

9 Contact

If you have technical problems with our products, please contact the SMA Service Line. The following data is required in order to provide you with the necessary assistance:

- Device type
- Serial number
- Firmware version
- Event message
- Mounting location and mounting height
- Type and number of PV modules
- Optional equipment, e.g. communication products
- Use the name of the system in Sunny Portal (if available)
- Access data for Sunny Portal (if available)
- Special country-specific settings (if available)
- Operating mode of the multifunction relay

United States	SMA Solar Technology America LLC Rocklin, CA	Toll free for USA and US Territories +1 877-MY-SMAtech (+1 877-697-6283) International: +1 916 625-0870
---------------	--	---

México	SMA Solar Technology de México Mexico City	Internacional: +1 916 625-0870
--------	--	--------------------------------

Disposiciones legales

SMA Solar Technology AG es propietaria de todos los derechos de la información que se facilita en esta documentación. Queda prohibida la reproducción total o parcial de este documento, así como su almacenamiento en un sistema de recuperación y toda transmisión electrónica, mecánica, fotográfica, magnética o de otra índole sin previa autorización por escrito de SMA Solar Technology AG. Sí está permitida, sin necesidad de autorización previa, su reproducción para el uso interno, para evaluar el producto o para el uso previsto.

SMA Solar Technology AG no establece representaciones, ni expresas ni implícitas, con respecto a estas instrucciones o a cualquiera de los accesorios o software aquí descritos, incluyendo (sin limitación) cualquier garantía implícita en cuanto a utilidad, adaptación al mercado o aptitud para cualquier propósito particular. Tales garantías quedan expresamente denegadas. Ni SMA Solar Technology AG, ni sus distribuidores o vendedores serán responsables por ningún daño indirecto, incidental o resultante, bajo ninguna circunstancia.

La exclusión de garantías implícitas puede no ser aplicable en todos los casos según algunos estatutos, y por tanto la exclusión mencionada anteriormente puede no ser aplicable.

Las especificaciones están sujetas a cambios sin previo aviso. Se ha tratado por todos los medios de hacer que este documento sea completo y preciso y esté actualizado. Sin embargo, advertimos a los lectores que SMA Solar Technology AG se reserva el derecho de cambiar estas especificaciones sin previo aviso o conforme con las condiciones del existente contrato de entrega si lo consideran adecuado para optimizar el producto y su uso. SMA Solar Technology AG no será responsable por ningún daño, ya sea indirecto, incidental o resultante, como consecuencia de confiar en el material que se presenta, incluyendo, aunque no exclusivamente, omisiones, errores tipográficos, aritméticos o de listado en el material del contenido.

Garantía de SMA

En www.SMA-Solar.com podrá descargar las condiciones de garantía actuales.

Licencias de software

Encontrará las licencias del software utilizado en la interfaz de usuario del producto.

Marcas registradas

Se reconocen todas las marcas registradas, incluso si no están señaladas por separado. La falta de señalización no implica que la mercancía o las marcas sean libres.

SMA Solar Technology AG

Sonnenallee 1

34266 Niestetal

Alemania

Tel. +49 561 9522-0

Fax +49 561 9522-100

www.SMA.de

Email: info@SMA.de

Versión: 31/10/2018

Copyright © 2018 SMA Solar Technology AG. Reservados todos los derechos.

Índice

1	Indicaciones sobre este documento	66
1.1	Área de validez.....	66
1.2	Grupo de destinatarios.....	66
1.3	Contenido y estructura del documento.....	66
1.4	Niveles de advertencia.....	66
1.5	Símbolos del documento	67
1.6	Marcas de texto en el documento.....	67
1.7	Denominación en el documento	67
1.8	Información adicional.....	68
2	Seguridad	69
2.1	Uso previsto.....	69
2.2	Indicaciones importantes para la seguridad.....	70
3	Vista general del producto.....	73
3.1	Descripción del producto	73
3.2	Símbolos del producto.....	74
3.3	Interfaces y funciones	75
3.4	Señales de los leds	79
4	Manejo	81
4.1	Conexión con la interfaz de usuario	81
4.1.1	Conexión directa mediante ethernet.....	81
4.1.2	Conexión directa mediante WLAN.....	81
4.1.3	Conexión mediante ethernet en la red local	83
4.1.4	Conexión mediante WLAN en la red local	84
4.2	Inicio y cierre de sesión en la interfaz de usuario	85
4.3	Estructura de la página de inicio de la interfaz de usuario	87
4.4	Visualización y descarga de datos almacenados.....	90
4.5	Activar Smart Inverter Screen.....	90
4.6	Inicio del asistente de instalación	90
4.7	Activación de la función WPS.....	91
4.8	Activación y desactivación de WLAN.....	92
4.9	Desactivación de la indicación de potencia dinámica.....	93
4.10	Modificación de la contraseña	94
4.11	Modificación de los parámetros de funcionamiento.....	94
4.12	Configuración del registro de datos nacionales.....	95
4.13	Configuración de la gestión de la inyección	96
4.14	Configurar la función Rapid Shutdown	96

4.15	Modificación del modo de funcionamiento del relé multifunción.....	97
4.16	Configuración de la función Modbus.....	98
4.17	Configuración de SMA OptiTrac Global Peak.....	99
4.18	Desactivación del sistema de detección e interrupción de arcos voltaicos (AFCI).....	100
4.19	Activación de la detección de fallos de string.....	100
4.20	Guardar la configuración en un archivo.....	100
4.21	Cargar la configuración desde un archivo.....	100
4.22	Actualización del firmware.....	101
5	Limpieza del inversor.....	103
6	Localización de errores.....	104
6.1	Olvido de la contraseña.....	104
6.2	Avisos de evento.....	105
6.3	Comprobación de la existencia de un fallo a tierra en la planta fotovoltaica.....	122
6.4	Restablecimiento del bloqueo tras la detección de arcos voltaicos.....	125
7	Accesorios.....	127
8	Información de cumplimiento.....	128
9	Contacto.....	129

1 Indicaciones sobre este documento

1.1 Área de validez

Este documento es válido para:

- STP 33-US-41 (Sunny Tripower CORE1-US)
- STP 50-US-41 (Sunny Tripower CORE1-US)
- STP 62-US-41 (Sunny Tripower CORE1-US)

1.2 Grupo de destinatarios

Este documento está dirigido a especialistas y usuarios finales. Las tareas marcadas en este documento con un símbolo de advertencia y la palabra "Especialista" deben llevarlas a cabo únicamente especialistas. Los trabajos que no requieren ninguna cualificación especial no están señalizados y pueden ser efectuados también por los usuarios finales. Los especialistas han de contar con esta cualificación:

- Conocimientos sobre los procedimientos y el funcionamiento de un inversor
- Formación sobre la gestión de peligros y riesgos relativos a la instalación, reparación y manejo de equipos eléctricos y plantas
- Formación profesional para la instalación y la puesta en marcha de equipos eléctricos y plantas
- Conocimiento de las leyes, normativas y directivas aplicables
- Conocimiento y seguimiento de este documento y de todas sus indicaciones de seguridad

1.3 Contenido y estructura del documento

Este documento describe la configuración, manejo y localización de errores del producto, así como el manejo de la interfaz de usuario del producto.

La versión actual de este documento y más información sobre el producto se encuentran en formato PDF y como e-Manual en www.SMA-Solar.com. También puede acceder al e-Manual a través de la interfaz de usuario del producto.

Las imágenes en este documento han sido reducidas a lo esencial y pueden diferir del producto original.

1.4 Niveles de advertencia

Cuando se trate con el producto pueden darse estos niveles de advertencia.

PELIGRO

Representa una advertencia que, de no ser observada, causa la muerte o lesiones físicas graves.

ADVERTENCIA

Representa una advertencia que, de no ser observada, puede causar la muerte o lesiones físicas graves.



⚠ ATENCIÓN

Representa una advertencia que, de no ser observada, puede causar lesiones físicas leves o de gravedad media.

PRECAUCIÓN

Representa una advertencia que, de no ser observada, puede causar daños materiales.

1.5 Símbolos del documento

Símbolo	Explicación
	Información importante para un tema u objetivo concretos, aunque no relevante para la seguridad
<input type="checkbox"/>	Requisito necesario para alcanzar un objetivo determinado
<input checked="" type="checkbox"/>	Resultado deseado
x	Posible problema
	Ejemplo

1.6 Marcas de texto en el documento

Marca de texto	Uso	Ejemplo
Negrita	<ul style="list-style-type: none"> • Avisos • Conexiones • Elementos de una interfaz de usuario • Elementos que deben seleccionarse • Elementos que deben introducirse 	<ul style="list-style-type: none"> • Conecte los conductores a los bornes de X703:1 a X703:6. • Introduzca 10 en el campo Minutos.
>	<ul style="list-style-type: none"> • Une varios elementos que deben seleccionarse. 	<ul style="list-style-type: none"> • Seleccione Ajustes > Fecha.
[Botón] [Tecla]	<ul style="list-style-type: none"> • Botones o teclas que deben seleccionarse o pulsarse 	<ul style="list-style-type: none"> • Seleccione [Enter].

1.7 Denominación en el documento

Denominación completa	Denominación utilizada en este documento
Sunny Tripower CORE1-US	Inversor, producto

1.8 Información adicional

Encontrará más información en www.SMA-Solar.com.

Título y contenido de la información	Tipo de información
Montaje, instalación, puesta en marcha y puesta fuera de servicio	Instrucciones de instalación
"Formulario de solicitud del código SMA Grid Guard"	Formulario
"PUBLIC CYBER SECURITY - Guidelines for a Secure PV System Communication"	Información técnica
"Rendimiento y derrateo"	Información técnica
Rendimiento y comportamiento de derrateo de los inversores de SMA	
"Grid Support Utility Interactive Inverters"	Información técnica
Información acerca de la activación y la configuración de las funciones de apoyo de red según UL 1741 SA	
"Short-Circuit Currents"	Información técnica
Información sobre las corrientes de cortocircuito de inversores fotovoltaicos de SMA	
"Parámetros y valores de medición"	Información técnica
Vista general de todos los parámetros de funcionamiento del inversor y sus opciones de ajuste	
"Interfaz de SMA y de SunSpec Modbus®"	Información técnica
Información sobre la interfaz Modbus	
"Parámetros y valores de medición de Modbus®"	Información técnica
Registro HTML específico del equipo	
"Integrated Plant Control and Q on Demand 24/7"	Información técnica
Explicación detallada de las funciones y descripción de sus ajustes	
"Derrateo por temperatura"	Información técnica

2 Seguridad

2.1 Uso previsto

El Sunny Tripower es un inversor fotovoltaico sin transformador con 6 seguidores del MPP que transforma la corriente continua del generador fotovoltaico en corriente alterna trifásica apta para la red y la inyecta a la red pública.

El producto es apropiado para utilizarse en exteriores e interiores.

Solo está permitido utilizar el producto con generadores fotovoltaicos (módulos fotovoltaicos y cableado) que estén autorizados según las normativas eléctricas locales vigentes y el código *National Electrical Code*® ANSI/NFPA 70.

i Ninguna separación galvánica

El producto no dispone de transformador, por lo que no cuenta con separación galvánica.

- No utilice junto con el producto ningún módulo fotovoltaico conectado a tierra. Si se conectan al producto módulos fotovoltaicos conectados a tierra, se produce un evento. El evento se muestra con el aviso correspondiente en el listado de eventos de la interfaz de usuario del producto.
- Ponga a tierra solamente los bastidores de montaje de los módulos fotovoltaicos.
- El conductor neutro de la salida de CA en el producto está conectado a tierra de serie. Para la conexión de una red pública con conductor neutro se debe retirar el puente entre el conductor neutro de la salida de CA y la carcasa.

Los módulos fotovoltaicos con una gran capacidad a tierra solo deben utilizarse cuando su capacidad de acoplamiento no supere los 12,6 μF .

Según el *National Electrical Code*®, para proteger la planta fotovoltaica frente a corrientes inversas demasiado altas en caso de error, debe estar conectado un dispositivo de protección contra sobrecorriente del lado de CC para evitar corrientes de cortocircuito que sobrepasen la corriente admisible del circuito eléctrico de CC o los valores de los fusibles de los módulos fotovoltaicos. Si se conectan más de dos strings en paralelo, normalmente se utilizan fusibles de string. En caso de ser necesario un dispositivo de protección contra sobrecorriente, de acuerdo con el *National Electrical Code*®, tanto los conductores positivos como los conductores negativos de los módulos fotovoltaicos no conectados a tierra deben contar con una protección contra sobretensión.

Deben respetarse en todo momento el rango de funcionamiento admisible y los requisitos de instalación de todos los componentes.

El producto está autorizado para el mercado de EE. UU.

Utilice siempre el producto de acuerdo con las indicaciones de la documentación adjunta y observe las leyes, reglamentos, reglas y normas vigentes. Cualquier otro uso puede causarle lesiones al usuario o daños materiales.

Para realizar cualquier intervención en el producto, como modificaciones o remodelaciones, deberá contar con el permiso expreso y por escrito de SMA Solar Technology AG. Los cambios no autorizados conllevan la pérdida de los derechos de garantía, así como la extinción de la autorización de operación. Queda excluida la responsabilidad de SMA Solar Technology AG por los daños derivados de dichos cambios.

Cualquier uso del producto distinto al descrito en el uso previsto se considerará inadecuado.

La documentación adjunta es parte integrante del producto. La documentación debe leerse, observarse y guardarse en un lugar accesible en todo momento.

Este documento no sustituye en ningún caso a cualquier legislación, reglamento o norma regional, federal, provincial o estatal aplicables a la instalación, la seguridad eléctrica y el uso del producto. SMA Solar Technology AG no asume responsabilidad alguna relativa al cumplimiento o al incumplimiento de la legislación o las disposiciones relacionadas con la instalación del producto. La placa de características debe estar en el producto en todo momento.

2.2 Indicaciones importantes para la seguridad

Conservar instrucciones

Este capítulo contiene indicaciones de seguridad que deben observarse siempre en todos los trabajos que se realizan en el producto y con el producto.

Este producto se ha construido en cumplimiento de los requisitos internacionales relativos a la seguridad. A pesar de estar cuidadosamente contruidos, existe un riesgo residual como con todos los equipos eléctricos. Para evitar daños personales y materiales y garantizar el funcionamiento permanente del producto, lea detenidamente este capítulo y cumpla siempre las indicaciones de seguridad.

PELIGRO

Peligro de muerte por descarga eléctrica por contacto con conductores de CC con tensión

Cuando recibe luz, los módulos fotovoltaicos producen una alta tensión de CC que se acopla a los conductores de CC. Tocar los cables de CC conductoras de tensión puede causar la muerte o lesiones mortales por descarga eléctrica.

- Antes de cualquier trabajo, desconecte el punto de conexión de la tensión y asegure el producto contra cualquier reconexión accidental.
- No toque piezas o cables conductores de tensión descubiertos.
- No desconecte el conector de enchufe de CC bajo carga.
- Utilice equipamientos de protección personal adecuado cuando realice trabajos en el producto.

⚠ PELIGRO**Peligro de muerte por descarga eléctrica si se tocan partes de la planta bajo tensión en caso de fallo a tierra**

En caso de fallo a tierra los componentes de la planta pueden estar bajo tensión. El contacto con componentes conductores de tensión o cables puede causar la muerte o lesiones mortales por descarga eléctrica.

- Antes de cualquier trabajo, desconecte el punto de conexión de la tensión y asegure el producto contra cualquier reconexión accidental.
- Agarre los cables del generador fotovoltaico únicamente por el aislamiento.
- No toque las piezas de la base ni del bastidor del generador fotovoltaico.
- No conecte strings con un fallo a tierra al inversor.
- Desconecte de la tensión y espere 5 minutos antes de tocar los componentes de la planta fotovoltaica o del producto.

⚠ ATENCIÓN**Peligro de quemaduras por contacto con las partes calientes de la carcasa**

La carcasa y la tapa de la carcasa se pueden calentar durante el funcionamiento. El interruptor-seccionador de potencia de CC no puede calentarse.

- No tocar las superficies calientes.
- Antes de tocar la carcasa o la tapa de la carcasa, espere a que el inversor se haya enfriado.

PRECAUCIÓN**Daños en la junta de la carcasa en caso de congelación**

Si abre el producto en caso de congelación, puede dañarse la junta de la carcasa. Podría penetrar humedad y dañar el producto.

- Abra el producto únicamente si la temperatura ambiente no es inferior a $-5\text{ }^{\circ}\text{C}$ ($23\text{ }^{\circ}\text{F}$).
- Si tiene que abrir el producto en condiciones de congelación, elimine antes de hacerlo cualquier posible formación de hielo en la junta de la carcasa (por ejemplo, derriéndolo con aire caliente). Al hacerlo, tenga en cuenta las normas de seguridad.

PRECAUCIÓN

Daños en el producto provocados por arena, polvo y humedad

Si penetra arena, polvo y humedad, el producto podría resultar dañado y sus funciones podrían verse limitadas.

- Abra el producto solamente si la humedad del aire se encuentra dentro de los valores límite y si el entorno está libre de arena y polvo.
- No abra el producto en caso de tormenta de arena o de precipitaciones.
- Cierre herméticamente todas las aberturas en la carcasa.
- Para fijar los conductos para cables al producto utilice solamente manguitos con certificación resistentes a la lluvia o humedad.

PRECAUCIÓN

Daños por productos de limpieza

Si utiliza productos de limpieza, puede dañar el producto y componentes del producto.

- Limpie el producto y todos los componentes del producto únicamente con un paño humedecido con agua limpia.

PRECAUCIÓN

Daños en el inversor por descarga electrostática

Si toca componentes electrónicos, puede dañar o destruir el inversor debido a una descarga electrostática.

- Póngase a tierra antes de tocar cualquier componente.

i Instalaciones eléctricas (válido para América del Norte)

La instalación debe llevarse a cabo de conformidad con la legislación, las disposiciones, los reglamentos y las normas vigentes en el lugar (p.ej. *National Electrical Code*® ANSI/NFPA 70).

- Antes de realizar la conexión eléctrica del inversor a la red pública, póngase en contacto con su operador de red en el lugar. La conexión eléctrica del inversor únicamente puede realizarla personal especializado.
- Es necesario asegurarse de que los cables o conductores utilizados en la conexión eléctrica no estén dañados.

3 Vista general del producto

3.1 Descripción del producto

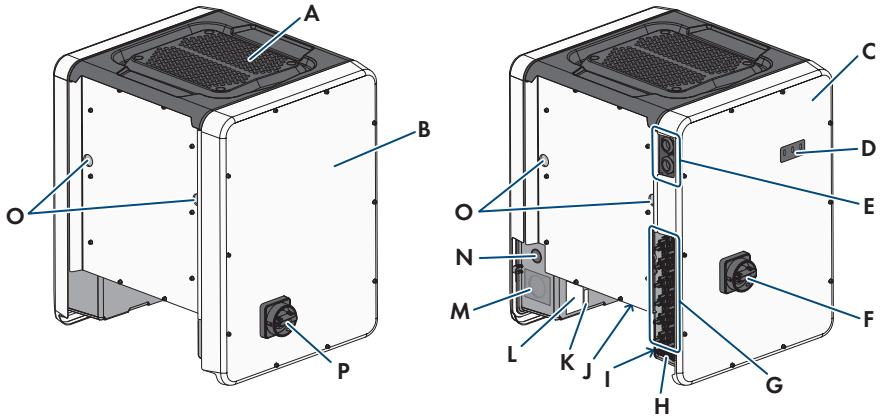











Imagen 1: Diseño del producto

Posición	Denominación
A	Cubierta
B	Connection Unit de CA
C	Connection Unit de CC
D	Leds Los leds señalizan el estado de funcionamiento del inversor.
E	Racores atornillados para el cable de datos
F	Interruptor-seccionador de potencia de CC
G	Conectador de enchufe de CC
H	Barra de puesta a tierra del equipo para el conductor de puesta a tierra del equipo del generador fotovoltaico
I	Adhesivo de advertencia con información de cumplimiento
J	Soporte para ventilador con 3 ventiladores

Posición	Denominación
K	<p>Placa de características</p> <p>La placa de características identifica el producto de forma inequívoca. La placa de características debe permanecer colocada en el producto en todo momento. En la placa de características encontrará esta información:</p> <ul style="list-style-type: none"> • Modelo (Model) • Número de serie (Serial No. o S/N) • Fecha de fabricación (Date of manufacture) • Datos específicos del equipo
L	<p>Adhesivo adicional con datos para el registro en el Sunny Portal y la contraseña WLAN:</p> <ul style="list-style-type: none"> • Código de identificación (PIC) para el registro en el Sunny Portal • Código de registro (RID) para el registro en el Sunny Portal • Contraseña WLAN (WPA2-PSK) para la conexión directa a la interfaz de usuario del inversor por WLAN
M	Abertura en la carcasa para conexión de CA
N	Abertura en la carcasa para conductor adicional
O	Abertura en la carcasa para asas de transporte
P	Interruptor-seccionador de CA

3.2 Símbolos del producto

Símbolo	Explicación
	<p>Advertencia de tensión</p> <p>El producto funciona con tensiones altas.</p>
	<p>Advertencia de superficie caliente</p> <p>El producto puede calentarse durante el funcionamiento.</p>
	<p>Tenga en cuenta la documentación</p> <p>Tenga en cuenta toda la documentación suministrada con el producto.</p>
	<p>Tenga en cuenta la documentación</p> <p>Junto con el led rojo, este símbolo indica un error.</p>
	<p>Inversor</p> <p>Junto con el led verde, este símbolo indica el estado de funcionamiento del inversor.</p>

Símbolo	Explicación
	Transferencia de datos Junto con el led azul, este símbolo indica el estado de la conexión de red.
	Terminal de puesta a tierra del equipo Este símbolo señala el lugar para conectar un conductor de puesta a tierra del equipo.
	Toma a tierra Este símbolo señala el lugar para conectar un conductor de puesta a tierra del equipo adicional.
	UL 1741 es la norma empleada en el producto por Underwriters Laboratories para certificar que el producto cumple los requisitos del código <i>National Electrical Code</i> ® y de las normas IEEE 1547.

3.3 Interfaces y funciones

El inversor puede venir equipado con estas interfaces y funciones o se puede equipar más adelante:

Interfaz de usuario para la monitorización y configuración

El producto está equipado de serie con un servidor web integrado que permite configurar y monitorizar el producto a través de una interfaz de usuario propia. Para acceder a la interfaz de usuario del producto, puede utilizar el navegador de internet de un dispositivo terminal (como ordenador, tableta o teléfono inteligente).

SMA Speedwire

El producto está equipado de serie con SMA Speedwire. SMA Speedwire es un tipo de comunicación basado en el estándar ethernet SMA Speedwire está diseñado para una velocidad de transferencia de datos de 100 Mbit/s y permite una comunicación óptima entre equipos Speedwire de las plantas.

SMA Webconnect

El inversor está equipado de serie con una función Webconnect. La función Webconnect posibilita la transferencia directa de datos entre el inversor y el portal de internet Sunny Portal sin necesidad de utilizar un equipo de comunicación adicional y para 4 inversores por planta visualizada como máximo. En las plantas fotovoltaicas con más de 4 inversores se puede realizar la transferencia de datos entre los inversores y el portal de internet Sunny Portal a través de un registrador de datos (como SMA Data Manager) o distribuir los inversores en varias plantas en el Sunny Portal. Para acceder a su planta visualizada, puede utilizar directamente el navegador de internet de su dispositivo terminal.

WLAN

El producto está equipado de serie con una interfaz WLAN, que viene activada de fábrica. Si no quiere utilizar una red WLAN, puede desactivar la interfaz.

Además, el producto cuenta con una función WPS, que sirve para conectarlo automáticamente a una red local (por ejemplo, un router) y para crear una conexión directa entre el producto y el equipo terminal.

Ampliación del alcance inalámbrico en la red WLAN

Para ampliar el alcance inalámbrico del inversor en la red WLAN puede instalar en el inversor el kit de antena externa disponible como accesorio.

Modbus

El producto está equipado con una interfaz Modbus, que viene desactivada de fábrica y que, en caso necesario, se deberá configurar.

La interfaz Modbus de los productos de SMA compatibles ha sido concebida para el uso industrial de, por ejemplo, sistemas SCADA, y tiene estas funciones:

- Consulta remota de los valores de medición
- Ajuste remoto de los parámetros de funcionamiento
- Especificación de valores de consigna para el control de la planta

Ranuras del módulo

El inversor está equipado de serie con dos ranuras del módulo. Estas se encuentran en el subgrupo de comunicación y permiten conectar módulos adicionales (por ejemplo, módulos SMA Sensor Module). Los módulos están disponibles como accesorios. No se permite instalar dos módulos idénticos.

SMA RS485 Module

Instalando el SMA RS485 Module, el inversor puede comunicarse por cable con productos de comunicación de SMA especiales (información sobre la instalación y la conexión en las instrucciones del SMA RS485 Module). El SMA RS485 Module puede instalarse con posterioridad.

Antenna Extension Kit

El Antenna Extension Kit permite ampliar el alcance inalámbrico del inversor en la red WLAN (más información sobre su montaje y conexión en las instrucciones del Antenna Extension Kit). El Antenna Extension Kit puede adquirirse y montarse posteriormente.

SMA Sensor Module

El SMA Sensor Module dispone de diferentes interfaces para la conexión de distintos sensores (p. ej. termistor, sensor de irradiación, anemómetro o contador de energía). El SMA Sensor Module convierte las señales de los sensores conectados y los transmite al inversor. El SMA Sensor Module puede adquirirse y montarse posteriormente.

Gestión de red

El inversor ha sido comprobado según la UL 1741 SA (07/09/2016) para cumplir con los Source Requirements Documents (documentos de origen) de los estados disponibles en el momento del test. Para conectar el inversor a la red pública, no se necesitan dispositivos adicionales de monitorización de la red. Encontrará una descripción de las funciones probadas y el procedimiento para activar y ajustar las funciones en la información técnica "Grid Support Utility Interactive Inverters" en www.SMA-Solar.com.

PV Rapid Shutdown Equipment

El inversor está certificado como PV Rapid Shutdown Equipment (PVRSE) según UL 1741. Todas las entradas de CC y salidas de CA de este producto cumplen con los requerimientos de PV Rapid Shutdown para cables de conexión vigilados externos al generador fotovoltaico. Un PV Rapid Shutdown System (PVRSS) completo se compone del inversor fotovoltaico, los módulos conmutadores fotovoltaicos y un Rapid Shutdown Initiator.

PRECAUCIÓN: La función de Rapid Shutdown del inversor se activa desconectando el inversor de la tensión de la red de CA, p. ej., al abrir el seccionador principal de CA de la planta fotovoltaica. El seccionador de CA, que sirve como Rapid Shutdown Initiator, debe ser de fácil acceso y señalarse inequívocamente según el National Electrical Code®. El estado de Rapid Shutdown de la planta fotovoltaica se indica mediante la posición activada/desactivada del seccionador de CA (interruptor cerrado/abierto). La posición desactivada (interruptor abierto) indica que se ha iniciado un Rapid Shutdown.

En caso de haberse instalado módulos conmutadores fotovoltaicos compatibles con la señal de comunicación SunSpec para Rapid Shutdown Systems, el inversor puede enviar una señal "Permission to Operate" de conformidad con SunSpec a través de sus conductores de entrada de CC a los módulos conmutadores fotovoltaicos. Al activar un Rapid Shutdown, el inversor deja de enviar la señal de comunicación SunSpec. Cuando la señal de comunicación SunSpec no se recibe, los módulos conmutadores fotovoltaicos son los responsables de limitar la tensión en los conductores dentro del generador fotovoltaico según el National Electrical Code®. En caso de un Rapid Shutdown a través de una señal de comunicación SunSpec es importante que todos los módulos fotovoltaicos de un string estén siempre dotados de los módulos conmutadores fotovoltaicos conformes a SunSpec. Si no, el inversor no puede ponerse en funcionamiento de inyección. Para descargar los cables de conexión de CC de forma fiable, es necesario que la tensión en espera de los módulos conmutadores fotovoltaicos de un string sea < 30 V.

El Rapid Shutdown System también puede equiparse con módulos conmutadores fotovoltaicos, los cuales se activan mediante la caída de la corriente alterna u otros medios. No obstante, debe garantizarse que al activar un Rapid Shutdown mediante el iniciador no solo se desconecten los módulos fotovoltaicos, sino también el inversor de la tensión de red. Los módulos conmutadores fotovoltaicos deben desconectar los módulos fotovoltaicos del inversor en un plazo máximo de 15 segundos tras el inicio del Rapid Shutdown.

El inversor incluye las funciones de apoyo de red. Si se produce una caída de la corriente alterna, el inversor permanece conectado a la red pública por un tiempo definido (Ride Through) a la espera de que la red se reestablezca. Si la tensión de red no se recupera en el plazo definido, el inversor se desconecta de la red pública y se inicia un Rapid Shutdown.

Por defecto, la función de Rapid Shutdown está desactivada. La función de Rapid Shutdown únicamente debe activarse si hay módulos conmutadores fotovoltaicos autorizados instalados dentro de los módulos fotovoltaicos o entre los módulos fotovoltaicos y el inversor. La función de Rapid Shutdown puede activarse seleccionando el modo de funcionamiento apropiado para los módulos conmutadores fotovoltaicos en la interfaz de usuario durante o después de la puesta en marcha del inversor. Si se activa la función de Rapid Shutdown sin que haya módulos conmutadores fotovoltaicos instalados, el inversor no podrá descargar los conductores de entrada de CC de producirse un Rapid Shutdown, por lo que el inversor podría dañarse.

ADVERTENCIA - ESTE PV RAPID SHUTDOWN EQUIPMENT NO REALIZA TODAS LAS FUNCIONES DE UN PV RAPID SHUTDOWN SYSTEM COMPLETO. ESTE PV RAPID SHUTDOWN EQUIPMENT DEBE EQUIPARSE CON DISPOSITIVOS ADICIONALES PARA FORMAR UN PV RAPID SHUTDOWN SYSTEM COMPLETO QUE CUMPLA CON LOS REQUISITOS NEC (NFPA 70) EN LO RELATIVO A CABLES DE CONEXIÓN VIGILADOS EXTERNOS AL GENERADOR FOTOVOLTAICO. LOS EQUIPOS ADICIONALES QUE HAYAN PODIDO MONTARSE DENTRO O FUERA DE LA INSTALACIÓN FOTOVOLTAICA PUEDEN INFLUIR NEGATIVAMENTE EN EL FUNCIONAMIENTO DEL PV RAPID SHUTDOWN SYSTEM. EL INSTALADOR ES RESPONSABLE DE QUE LA INSTALACIÓN FOTOVOLTAICA INSTALADA CUMPLA CON LOS REQUISITOS FUNCIONALES DE RAPID SHUTDOWN. ESTOS EQUIPOS DEBEN INSTALARSE SEGÚN LO ESPECIFICADO EN LAS INSTRUCCIONES DE INSTALACIÓN DEL FABRICANTE.

Relé multifunción

El inversor viene equipado de serie con un relé multifunción. El relé multifunción es una interfaz que puede configurarse para un modo de funcionamiento específico de la planta.

Detección de fallos de string

La detección de fallos de string mide la corriente residual de cada entrada y calcula continuamente los valores medios para las respectivas entradas. Las corrientes residuales se comparan con los valores medios. Si una corriente residual supera o no alcanza la tolerancia ajustada para un valor medio, se notifica un evento. Para ello, las corrientes residuales ligeramente más altas se detectan con seguridad en varios intervalos de consulta y se diferencian de las variaciones habituales de la corriente del generador fotovoltaico. De manera predeterminada, la detección de fallos de string viene desactivada y es necesario activarla. Además, a través de la interfaz de usuario es posible ajustar la tolerancia y leer los valores medios.

Descargador de sobretensión del tipo 2 y del tipo 1+2

El inversor está equipado en el lado de CA y de CC con ranuras para elementos de protección contra sobretensión del tipo 2 o del tipo 1+2. Los elementos de protección contra sobretensión limitan las sobretensiones peligrosas. Los elementos de protección contra sobretensión pueden adquirirse y montarse posteriormente.

Sistema de detección e interrupción de arcos voltaicos (AFCI)

De acuerdo con el *National Electrical Code*[®], el inversor cuenta con un sistema de detección e interrupción de arcos voltaicos de CC. El sistema de detección e interrupción de arcos voltaicos cuenta con certificación UL 1699B Ed. 1. La detección de un arco voltaico provoca que el inversor interrumpa el funcionamiento de inyección. Para iniciar de nuevo el funcionamiento de inyección, es necesario activarlo manualmente. Si las condiciones de instalación lo permiten, puede desactivar el sistema de detección e interrupción de arcos voltaicos.

SMA Smart Connected

SMA Smart Connected es la monitorización gratuita del inversor a través de Sunny Portal. Mediante SMA Smart Connected el operador de la planta y el especialista reciben información de forma automática y proactiva sobre los eventos que se producen en el inversor.

La activación de SMA Smart Connected se realiza durante el registro en Sunny Portal. Para utilizar SMA Smart Connected es necesario que el inversor esté conectado de forma permanente con el Sunny Portal y que los datos del operador de la planta y del especialista se encuentren registrados en el Sunny Portal y estén actualizados.

Sistema de montaje universal (UMS_Kit-10)

El sistema de montaje universal permite montar el inversor en paredes o sirve como pedestal para un montaje elevado sobre el suelo. El sistema de montaje universal está disponible como accesorio.

3.4 Señales de los leds

Los leds señalizan el estado de funcionamiento del inversor.

Señal de LED	Explicación
El LED verde parpadea (2 s encendido y 2 s apagado)	Esperando las condiciones de inyección Todavía no se cumplen las condiciones para el funcionamiento de inyección. Cuando se cumplen estas condiciones, el inversor inicia el funcionamiento de inyección.
El led verde parpadea rápidamente	Actualización del procesador principal El procesador principal del inversor se actualiza.
El led verde está encendido	Funcionamiento de inyección El inversor inyecta con una potencia superior al 90 %.
El LED verde parpadea	Funcionamiento de inyección El inversor está equipado con una indicación de potencia dinámica a través del led verde. Según la potencia, el led verde parpadea rápida o lentamente. En caso necesario, puede desactivar la indicación de potencia dinámica a través del led verde.
El LED verde está apagado	El inversor no inyecta a la red pública.

Señal de LED	Explicación
El led rojo está encendido	Se ha producido un evento Cuando se produce un evento, en la interfaz de usuario del inversor o en el producto de comunicación aparece además un aviso de evento concreto y el respectivo número de evento.
El LED azul parpadea lento durante 1 minuto aprox.	Estableciendo conexión de comunicación El inversor está estableciendo una conexión con una red local o una conexión ethernet directa con un terminal (por ejemplo, un ordenador, una tableta o un teléfono inteligente).
El led azul parpadea rápido durante 2 minutos aprox.	WPS activada La función WPS está activa.
El led azul está encendido	Comunicación activada Hay una conexión activa a una red local o una conexión ethernet directa a un terminal (por ejemplo, un ordenador, una tableta o un teléfono inteligente).

4 Manejo

4.1 Conexión con la interfaz de usuario

4.1.1 Conexión directa mediante ethernet


Requisitos:

- El producto debe estar en funcionamiento.
- Debe disponer de un dispositivo terminal (por ejemplo, ordenador) con interfaz ethernet.
- El producto debe estar conectado directamente con el dispositivo terminal.
- En el dispositivo terminal debe haber instalado alguno de los siguientes navegadores de internet en su versión actualizada: Chrome, Edge, Firefox, Internet Explorer o Safari.
- Debe conocer el código SMA Grid Guard del instalador para poder modificar los ajustes que afectan a la red después de las primeras 10 horas de inyección o después de la finalización del asistente de instalación (consulte "Formulario de solicitud del código SMA Grid Guard" en www.SMA-Solar.com).

Dirección IP del inversor

- Dirección IP estándar del inversor para la conexión directa mediante ethernet:
169.254.12.3

Procedimiento:

1. Abra el navegador de internet de su equipo, escriba la dirección IP **169.254.12.3** en la barra de direcciones y pulse la tecla intro.
 2.  **El navegador de internet advierte de una vulnerabilidad de seguridad**
Después de confirmar la dirección IP pulsando la tecla intro, puede aparecer un aviso que advierte de que la conexión con la interfaz de usuario del inversor no es segura. SMA Solar Technology AG garantiza que es seguro acceder a la interfaz de usuario.
 - Continúa cargando la interfaz de usuario.
- Se abre la página de inicio de sesión de la interfaz de usuario.

4.1.2 Conexión directa mediante WLAN

Requisitos:

- El producto debe estar en funcionamiento.
- Debe disponer de un dispositivo terminal (como ordenador, tableta o teléfono inteligente).
- En el dispositivo terminal debe haber instalado alguno de los siguientes navegadores de internet en su versión actualizada: Chrome, Edge, Firefox, Internet Explorer o Safari.
- El navegador de Internet del dispositivo terminal debe estar activado JavaScript.
- Debe conocer el código SMA Grid Guard del instalador para poder modificar los ajustes que afectan a la red después de las primeras 10 horas de inyección o después de la finalización del asistente de instalación (consulte "Formulario de solicitud del código SMA Grid Guard" en www.SMA-Solar.com).

i SSID, dirección IP y contraseñas necesarias

- SSID en la WLAN: SMA[número de serie] (por ejemplo, SMA0123456789)
- Contraseña WLAN estándar (puede utilizarse hasta que finalice la configuración con la ayuda del asistente de instalación o antes de que transcurran las primeras 10 hora de inyección): SMA12345
- Contraseña WLAN específica del equipo (para utilizar después de la primera configuración y después de que hayan transcurrido las primeras 10 horas de inyección): consulte WPA2-PSK en la placa de características del inversor o en el dorso de las instrucciones suministradas
- Dirección IP estándar para la conexión directa mediante WLAN fuera de una red local: 192.168.12.3

i No es posible importar y exportar archivos en terminales con sistema operativo iOS

Por motivos técnicos, no es posible importar o exportar archivos (por ejemplo, importar una configuración del inversor, guardar la configuración actual del inversor o exportar eventos) en los terminales móviles con sistema operativo iOS.

- Para importar y exportar archivos utilice un terminal con un sistema operativo distinto de iOS.

El procedimiento varía según el dispositivo terminal. Si el procedimiento descrito no es aplicable a su equipo, establezca una conexión directa mediante WLAN tal y como se describe en las instrucciones de su equipo.

Procedimiento:

1. Si su dispositivo terminal dispone de una función WPS:
 - Active la función WPS en el inversor. Para ello, dé dos golpecitos consecutivos junto a los leds en la tapa de la carcasa de la Connection Unit de CC.
 - El led azul parpadea rápido durante 2 minutos aprox. La función WPS está activa en ese momento.
 - Active la función WPS de su dispositivo.
 - Se establecerá automáticamente la conexión con su dispositivo. Este proceso puede durar hasta 20 segundos.
2. Si su dispositivo terminal no dispone de una función WPS:
 - Busque una red WLAN con su dispositivo.
 - En la lista con las redes WLAN encontradas, seleccione el SSID del inversor **SMA[número de serie]**.

- Introduzca la contraseña WLAN del inversor. Durante las 10 primeras horas de inyección y antes de la finalización de la configuración con la ayuda del asistente de instalación, debe utilizar la contraseña WLAN estándar **SMA12345**. Después de las primeras 10 horas de inyección o después de la finalización de la configuración con la ayuda del asistente de instalación, deberá utilizar la contraseña WLAN específica (WPA2-PSK) del inversor. Encontrará la contraseña WLAN (WPA2-PSK) en la placa de características.
3. Escriba la dirección IP **192.168.12.3** o, si su equipo es compatible con servicios mDNS, **SMA[número de serie].local** o **https://SMA[número de serie]** en la barra de direcciones del navegador de internet y pulse la tecla intro.
 4. **i El navegador de internet advierte de una vulnerabilidad de seguridad**

Después de confirmar la dirección IP pulsando la tecla intro, puede aparecer un aviso que advierte de que la conexión con la interfaz de usuario del inversor no es segura. SMA Solar Technology AG garantiza que es seguro acceder a la interfaz de usuario.

 - Continuar cargando la interfaz de usuario.

Se abre la página de inicio de sesión de la interfaz de usuario.

4.1.3 Conexión mediante ethernet en la red local

i Nueva dirección IP para conectar con una red local

Si el producto está conectado a una red local (por ejemplo, mediante un router), se le asignará una nueva dirección IP al producto. Según el tipo de configuración, la dirección es asignada automáticamente por el servidor DHCP (router), o bien manualmente por el usuario. Una vez finalizada la configuración, al producto solo se puede acceder desde las siguientes direcciones de acceso:

- Dirección de acceso general: dirección IP asignada manualmente o por el servidor DHCP (router). Para averiguar esta dirección puede utilizar un software de escaneo de la red o la configuración de red del router.
- Dirección de acceso para sistemas Apple y Linux: SMA[número de serie].local (por ejemplo, SMA0123456789.local).
- Dirección de acceso para sistemas Windows y Linux: https://SMA[número de serie] (por ejemplo https://SMA0123456789)

Requisitos:

- El producto debe estar conectado a la red local con un cable de red (por ejemplo, por medio de un rúter).
- El producto debe estar integrado en la red local. Consejo: Tiene varias opciones para integrar el producto en la red local por medio del asistente de instalación.
- Debe disponer de un dispositivo terminal (como ordenador, tableta o teléfono inteligente).
- El dispositivo terminal debe encontrarse en la misma red local que el producto.
- En el dispositivo terminal debe haber instalado alguno de los siguientes navegadores de internet en su versión actualizada: Chrome, Edge, Firefox, Internet Explorer o Safari.
- Debe conocer el código SMA Grid Guard del instalador para poder modificar los ajustes que afectan a la red después de las primeras 10 horas de inyección o después de la finalización del asistente de instalación (consulte "Formulario de solicitud del código SMA Grid Guard" en www.SMA-Solar.com).

Procedimiento:

1. Abra el navegador de internet de su dispositivo terminal, escriba la dirección IP del inversor en la barra de direcciones del navegador de internet y pulse la tecla intro.
 2. **i** **El navegador de internet advierte de una vulnerabilidad de seguridad**
Después de confirmar la dirección IP pulsando la tecla intro, puede aparecer un aviso que advierte de que la conexión con la interfaz de usuario del inversor no es segura. SMA Solar Technology AG garantiza que es seguro acceder a la interfaz de usuario.
 - Continuar cargando la interfaz de usuario.
- Se abre la página de inicio de sesión de la interfaz de usuario.

4.1.4 Conexión mediante WLAN en la red local**i Nueva dirección IP para conectar con una red local**

Si el producto está conectado a una red local (por ejemplo, mediante un rúter), se le asignará una nueva dirección IP al producto. Según el tipo de configuración, la dirección es asignada automáticamente por el servidor DHCP (rúter), o bien manualmente por el usuario. Una vez finalizada la configuración, al producto solo se puede acceder desde las siguientes direcciones de acceso:

- Dirección de acceso general: dirección IP asignada manualmente o por el servidor DHCP (rúter). Para averiguar esta dirección puede utilizar un software de escaneo de la red o la configuración de red del rúter.
- Dirección de acceso para sistemas Apple y Linux: SMA[número de serie].local (por ejemplo, SMA0123456789.local).
- Dirección de acceso para sistemas Windows y Linux: [https://SMA\[número de serie\]](https://SMA[número de serie]) (por ejemplo <https://SMA0123456789>)

Requisitos:

- El producto debe estar en funcionamiento.
- El producto debe estar integrado en la red local. Consejo: Tiene varias opciones para integrar el producto en la red local por medio del asistente de instalación.
- Debe disponer de un dispositivo terminal (como ordenador, tableta o teléfono inteligente).
- El dispositivo terminal debe encontrarse en la misma red local que el producto.
- En el dispositivo terminal debe haber instalado alguno de los siguientes navegadores de internet en su versión actualizada: Chrome, Edge, Firefox, Internet Explorer o Safari.
- Debe conocer el código SMA Grid Guard del instalador para poder modificar los ajustes que afectan a la red después de las primeras 10 horas de inyección o después de la finalización del asistente de instalación (consulte "Formulario de solicitud del código SMA Grid Guard" en www.SMA-Solar.com).

i **No es posible importar y exportar archivos en terminales con sistema operativo iOS**

Por motivos técnicos, no es posible importar o exportar archivos (por ejemplo, importar una configuración del inversor, guardar la configuración actual del inversor o exportar eventos) en los terminales móviles con sistema operativo iOS.

- Para importar y exportar archivos utilice un terminal con un sistema operativo distinto de iOS.

Procedimiento:

1. Introduzca en la barra de direcciones del navegador de internet la dirección IP del inversor.

2. **i** **El navegador de internet advierte de una vulnerabilidad de seguridad**

Después de confirmar la dirección IP pulsando la tecla intro, puede aparecer un aviso que advierte de que la conexión con la interfaz de usuario del inversor no es segura. SMA Solar Technology AG garantiza que es seguro acceder a la interfaz de usuario.

- Continuar cargando la interfaz de usuario.

Se abre la página de inicio de sesión de la interfaz de usuario.

4.2 Inicio y cierre de sesión en la interfaz de usuario

Una vez que se ha establecido una conexión con la interfaz de usuario del inversor, se abre la página de inicio. Inicie sesión en la interfaz de usuario según se describe a continuación.

i **Uso de cookies**

Las cookies son necesarias para visualizar correctamente la interfaz. Las cookies son necesarias por motivos de comodidad. El uso de la interfaz de usuario conlleva la aceptación del uso de cookies.

Primer inicio de sesión como instalador o usuario

i Contraseña para plantas registradas en un producto de comunicación

La contraseña del grupo **Instalador** es también la contraseña de la planta. Si le asigna al grupo **Instalador** a través de la interfaz de usuario del inversor una contraseña, esta debe coincidir con la contraseña de la planta. Si la nueva contraseña para iniciar sesión en la interfaz de usuario no coincide con la contraseña de la planta guardada en el producto de comunicación, este no podrá detectar el inversor.

- Asigne a todos los equipos con Speedwire de la planta una única contraseña.

Procedimiento:

1. Seleccione el idioma deseado en la lista desplegable **Idioma**.
 2. En la lista desplegable **Grupo de usuario**, seleccione la entrada **Instalador** o **Usuario**.
 3. En el campo **Contraseña nueva**, introduzca una contraseña nueva para el grupo de usuarios seleccionado.
 4. En el campo **Repetir contraseña**, vuelva a escribir la contraseña nueva.
 5. Seleccione **Iniciar sesión**.
- Se abre la página **Configurar inversor**.

Inicio de sesión como instalador o usuario

1. Seleccione el idioma deseado en la lista desplegable **Idioma**.
 2. En la lista desplegable **Grupo de usuario**, seleccione la entrada **Instalador** o **Usuario**.
 3. En el campo **Contraseña**, introduzca la contraseña.
 4. Seleccione **Iniciar sesión**.
- Se abre la página de inicio de la interfaz de usuario.

Cierre de sesión como instalador o usuario

1. Seleccione el menú **Ajustes del usuario** en la parte derecha de la barra de menús.
 2. En el menú contextual que aparece a continuación, seleccione [**Cerrar sesión**].
- Se abre la página de inicio de sesión de la interfaz de usuario. La sesión se ha cerrado correctamente.

4.3 Estructura de la página de inicio de la interfaz de usuario



Imagen 2: Estructura de la página de inicio de la interfaz de usuario (ejemplo)

Posición	Denominación	Significado
A	Menú	<p>Ofrece estas funciones:</p> <ul style="list-style-type: none"> • Inicio Abre la página de inicio de la interfaz de usuario. • Valores actuales Valores de medición actuales del inversor. • Parámetros del equipo Aquí pueden visualizarse y configurarse los diversos parámetros de funcionamiento del inversor en función del grupo de usuarios. • Eventos Aquí se muestran los eventos que se han producido en el periodo seleccionado. Existen tres tipos de evento: Información, Advertencia y Error. Los eventos vigentes de los tipos Error y Advertencia aparecen además en el recuadro Estado del equipo, aunque solo se muestra el evento con mayor prioridad. Si, por ejemplo, hay al mismo tiempo un error y una advertencia, solo se mostrará el error. • Configuración de equipo Aquí es posible realizar diferentes ajustes para el inversor. Los ajustes disponibles dependerán del grupo de usuarios al que pertenece el usuario que ha iniciado sesión y del sistema operativo del equipo desde el que se accede a la interfaz de usuario. • Datos En esta página encontrará todos los datos guardados en la memoria interna del inversor o en un dispositivo de almacenamiento externo.
B	Ajustes del usuario	<p>Ofrece estas funciones, que dependen del grupo de usuarios al que pertenece el usuario que ha iniciado sesión:</p> <ul style="list-style-type: none"> • Iniciar el asistente de instalación • Inicio de sesión SMA Grid Guard • Cierre de sesión
C	Ayuda	<p>Ofrece estas funciones:</p> <ul style="list-style-type: none"> • Mostrar información sobre las licencias de código abierto utilizadas • Enlace a la página web de SMA Solar Technology AG

Posición	Denominación	Significado
D	Barra de estado	<p>Muestra esta información:</p> <ul style="list-style-type: none"> • Número de serie del inversor • Versión de firmware del inversor • Dirección IP del inversor en la red local o dirección IP del inversor en caso de conexión por WLAN • En caso de conexión por WLAN: potencia de señal de la conexión WLAN • Grupo de usuarios al que pertenece el usuario que ha iniciado sesión • Fecha y hora del inversor
E	Potencia y consumo actuales	<p>Evolución temporal de la potencia fotovoltaica y de la potencia de consumo de la vivienda en el periodo seleccionado. La potencia de consumo solo se representa si hay instalado un contador de energía en la planta.</p>
F	Indicación de estado	<p>Las distintas secciones facilitan información sobre el estado actual de la planta fotovoltaica.</p> <ul style="list-style-type: none"> • Estado de los equipos Indica si el inversor está funcionando correctamente o si hay algún error o advertencia. • Potencia actual Indica la potencia generada en ese momento por el inversor. • Consumo actual Indica el consumo de la vivienda en ese momento si hay instalado un contador de energía en la planta. • Rendimiento Indica el rendimiento energético del inversor. • Consumo Indica el consumo energético de la vivienda si hay instalado un contador de energía en la planta. • Gestión de la inyección Indica si el inversor está limitando en ese momento su potencia activa. • Irradiación/Velocidad del viento En función de los sensores conectados, muestra la irradiación solar y/o la velocidad del viento actual. • Medición de temperatura En función de los sensores conectados, muestra la temperatura actual de los módulos fotovoltaicos y/o la temperatura ambiente.

4.4 Visualización y descarga de datos almacenados

Si hay insertado un medio de almacenamiento externo, puede visualizar y descargar los datos almacenados.

Procedimiento:

1. Abra la interfaz de usuario (consulte el capítulo 4.1, página 81).
2. Inicie sesión en la interfaz de usuario (consulte el capítulo 4.2, página 85).
3. Seleccione el menú **Datos**.
4. Seleccione la carpeta **Datos**.
5. Para acceder a los datos, abra la carpeta y el archivo deseados.
6. Para descargar los datos, seleccione en la lista desplegable el tipo de archivo que debe exportarse, utilice el filtro temporal y seleccione **Exportar datos**.

4.5 Activar Smart Inverter Screen

Con la Smart Inverter Screen se muestran en la página de inicio de sesión de la interfaz de usuario los datos más importantes del inversor. Puede activar la Smart Inverter Screen tal y como se describe a continuación.

Procedimiento:

1. Abra la interfaz de usuario (consulte el capítulo 4.1, página 81).
 2. Inicie sesión como **Instalador** o **Usuario**.
 3. En la página de inicio de la interfaz, seleccione el menú **Ajustes del usuario** (consulte el capítulo 4.3, página 87).
 4. Seleccione [**Smart Inverter Screen**].
- La Smart Inverter Screen está activada.

4.6 Inicio del asistente de instalación

ESPECIALISTA

El asistente de instalación le guiará paso a paso en la primera configuración del inversor.

Estructura del asistente de instalación:

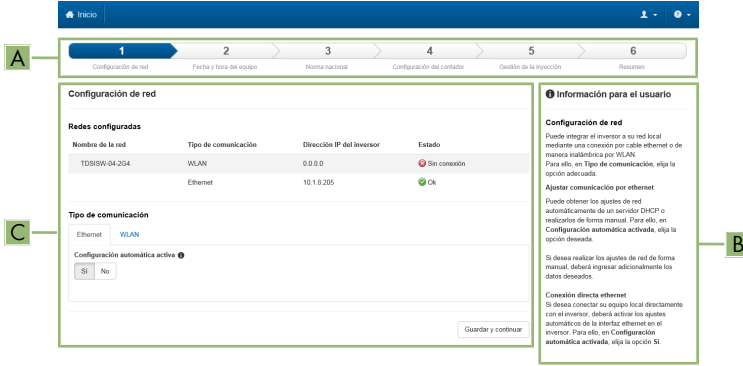


Imagen 3: Estructura del asistente de instalación (ejemplo)

Posición	Denominación	Significado
A	Pasos para la configuración	Vista general de los pasos del asistente de instalación. El número de pasos depende del tipo de equipo y de los módulos integrados. El paso actual aparece resaltado en azul.
B	Información del usuario	Información sobre el paso actual en la configuración y sobre las opciones de ajuste disponibles en dicho paso.
C	Campo de configuración	En este campo puede efectuar los ajustes.

Requisito:

- En caso de configuración después de las primeras 10 horas de inyección o después de la finalización del asistente de instalación, para modificar los parámetros relevantes para la red debe conocer el código SMA Grid Guard (consulte “Formulario de solicitud del código SMA Grid Guard” en www.SMA-Solar.com).

Procedimiento:

1. Abra la interfaz de usuario (consulte el capítulo 4.1, página 81).
 2. Inicie sesión como **Instalador**.
 3. En la página de inicio de la interfaz, seleccione el menú **Ajustes del usuario** (consulte el capítulo 4.3, página 87).
 4. Seleccione [**Iniciar el asistente de instalación**] en el menú contextual.
- Se abre el asistente de instalación.

4.7 Activación de la función WPS

La función WPS puede utilizarse para diferentes fines:

- Conexión automática con una red (como a través del rúter)
- Conexión directa entre el producto y un dispositivo terminal

Según el uso para el cual desee utilizar la función WPS, debe proceder a la activación de forma diferente.

Activación de la función WPS para la conexión automática con una red

Requisitos:

- La WLAN debe estar activada en el producto.
- La función WPS del rúter debe estar activada.

Procedimiento:

1. Abra la interfaz de usuario (consulte el capítulo 4.1, página 81).
 2. Inicie sesión como **Instalador**.
 3. Inicie el asistente de instalación (consulte el capítulo 4.6, página 90).
 4. Seleccione **Configuración de red**.
 5. En la pestaña **WLAN**, seleccione el botón **WPS para red WLAN**.
 6. Haga clic en **Activar WPS**.
 7. Seleccione **Guardar y continuar** y salga del asistente de instalación.
- La función WPS está activada y puede establecerse la conexión automática con la red.

Activación de la función WPS para la conexión directa con un dispositivo terminal

- Active la función WPS en el inversor. Para ello, dé dos golpecitos consecutivos junto a los leds en la tapa de la carcasa de la Connection Unit de CC.
 - El led azul parpadea rápido durante 2 minutos aprox. La función WPS está activa en ese momento.

4.8 Activación y desactivación de WLAN

El inversor está equipado de serie con una interfaz WLAN que está activada. Si no quiere utilizar una red WLAN, puede desactivar esa función y volver a activarla en cualquier momento. La conexión directa mediante WLAN y la conexión vía WLAN dentro de la red local pueden activarse y desactivarse de manera independiente.

i Activar la función WLAN ya solo será posible mediante una conexión ethernet

Si desactiva la función WLAN tanto para la conexión directa como para la conexión dentro de la red local, solo será posible acceder a la interfaz de usuario del inversor y, por lo tanto, activar de nuevo la interfaz WLAN a través de una conexión ethernet.

El procedimiento básico para la modificación de los parámetros de funcionamiento se describe en otro capítulo (consulte el capítulo 4.11 "Modificación de los parámetros de funcionamiento", página 94).

Desactivación de WLAN

Si desea desactivar por completo la función WLAN, deberá desactivar tanto la conexión directa como la conexión dentro de la red local.

Procedimiento:

- Para desactivar la conexión directa, seleccione en el grupo de parámetros **Comunicación de la planta > WLAN** el parámetro **Soft-Access-Point conectado** y ajústelo a **No**.
- Para desactivar la conexión dentro de la red local, seleccione en el grupo de parámetros **Comunicación de la planta > WLAN** el parámetro **WLAN conectada** y ajústelo a **No**.

Activación de WLAN

Si ha desactivado la función WLAN para la conexión directa o la conexión dentro de la red local, puede volver a activarla de la siguiente manera.

Requisito:

- Si ha desactivado por completo la función WLAN, el inversor debe estar conectado a un ordenador o un router mediante ethernet.

Procedimiento:

- Para activar la conexión WLAN directa, seleccione en el grupo de parámetros **Comunicación de la planta > WLAN** el parámetro **Soft-Access-Point conectado** y ajústelo a **Sí**.
- Para activar la conexión WLAN dentro de la red local, seleccione en el grupo de parámetros **Comunicación de la planta > WLAN** el parámetro **WLAN conectada** y ajústelo a **Sí**.

4.9 Desactivación de la indicación de potencia dinámica

Por defecto, el inversor indica su potencia de manera dinámica mediante el led verde, que se enciende y se apaga constantemente o se enciende de forma permanente en caso de que el inversor esté funcionando a plena potencia. Los diferentes niveles de graduación se refieren al límite de potencia activa ajustado del inversor. Si no desea que el inversor indique su potencia, desconecte la función de la manera descrita a continuación. En tal caso, el led verde permanecerá siempre encendido para indicar el funcionamiento de inyección.

El procedimiento básico para la modificación de los parámetros de funcionamiento se describe en otro capítulo (consulte el capítulo 4.11 "Modificación de los parámetros de funcionamiento", página 94).

Procedimiento:

- En el grupo de parámetros **Equipo > Funcionamiento**, seleccione el parámetro **Indicación de potencia dinámica mediante LED verde** y ajústelo a **OFF**.

4.10 Modificación de la contraseña

La contraseña del inversor puede modificarse para ambos grupos de usuarios. Además de su propia contraseña, el grupo de usuarios **Instalador** puede modificar también la del grupo **Usuario**.

Plantas registradas en un producto de comunicación

En el caso de las plantas registradas en un producto de comunicación (por ejemplo, Sunny Portal o Cluster Controller), también puede asignarle una nueva contraseña al grupo de usuarios **Instalador** a través del producto de comunicación. La contraseña del grupo **Instalador** es también la contraseña de la planta. Si le asigna al grupo **Instalador** a través de la interfaz de usuario del inversor una contraseña que no coincide con la contraseña de la planta guardada en el producto de comunicación, este ya no podrá detectar el inversor.

- Asegúrese de que la contraseña del grupo de usuarios **Instalador** coincida con la contraseña de la planta en el producto de comunicación.

Procedimiento:

1. Abra la interfaz de usuario (consulte el capítulo 4.1, página 81).
2. Inicie sesión en la interfaz de usuario (consulte el capítulo 4.2, página 85).
3. Abra el menú **Parámetros del equipo**.
4. Seleccione [**Modificar parámetros**].
5. Cambie la contraseña del grupo de usuarios deseado en el grupo de parámetros **Derechos de usuario > Control de acceso**.
6. Para guardar los cambios, seleccione [**Guardar todo**].

4.11 Modificación de los parámetros de funcionamiento

Los parámetros de funcionamiento del inversor vienen ajustados de fábrica con unos valores concretos. Puede modificar los parámetros de funcionamiento para optimizar el comportamiento de trabajo del inversor.

En este capítulo se explica el procedimiento básico para la modificación de los parámetros de funcionamiento. Modifique siempre los parámetros de funcionamiento tal y como se describe en este capítulo. Algunos parámetros que afectan al funcionamiento solo pueden visualizarlos y modificarlos especialistas introduciendo su código SMA Grid Guard personal.

Requisitos:

- Los cambios en los parámetros relevantes para la red deben haber sido aprobados por el operador de red responsable.
- Los cambios en los parámetros relevantes para la red deben haber sido aprobados por el operador de red responsable.

Procedimiento:

1. Abra la interfaz de usuario (consulte el capítulo 4.1, página 81).
2. Inicie sesión en la interfaz de usuario (consulte el capítulo 4.2, página 85).
3. Abra el menú **Parámetros del equipo**.

4. Seleccione [**Modificar parámetros**].
 5. Para modificar los parámetros que llevan el símbolo de un candado, inicie sesión con el código SMA Grid Guard (solo para instaladores):
 - Seleccione el menú **Ajustes del usuario** (consulte el capítulo 4.3, página 87).
 - En el menú contextual que aparece a continuación, seleccione [**Inicio de sesión SMA Grid Guard**].
 - Introduzca el código SMA Grid Guard y seleccione [**Iniciar sesión**].
 6. Abra el grupo de parámetros en el que se encuentra el parámetro que desea ,modificar.
 7. Modifique el parámetro deseado.
 8. Para guardar los cambios, seleccione [**Guardar todo**].
- Los parámetros del inversor están configurados.

i Adopción de los ajustes

El guardado de los ajustes efectuados se muestra en la interfaz de usuario mediante el símbolo de un reloj de arena. Si hay suficiente tensión de CC, los datos son transmitidos directamente al inversor, que los adopta. Si no hay suficiente tensión de CC (por ejemplo, al anochecer), los ajustes se guardan pero no se pueden transmitir directamente al inversor ni este puede adoptarlos. Mientras el inversor no haya recibido y adoptado los ajustes, en la interfaz de usuario continúa mostrándose el símbolo del reloj de arena. Los ajustes se adoptarán en cuanto haya suficiente tensión de CC y el inversor se reinicie. En cuanto aparezca el símbolo del reloj de arena en la interfaz de usuario, los ajustes se habrán guardado. Los ajustes no se pierden. Puede cerrar sesión en la interfaz de usuario y abandonar la planta.

4.12 Configuración del registro de datos nacionales

⚠ ESPECIALISTA

El inversor lleva configurado de fábrica un registro de datos nacionales general, que debe adaptar al lugar de instalación.

i El registro de datos nacionales debe estar configurado correctamente

Configurar un registro de datos nacionales no válido para su país y uso previsto puede provocar errores en la planta e implicar problemas con el operador de red. Al elegir el registro de datos nacionales observe siempre las normativas y directivas locales vigentes, así como las características de la planta (como el tamaño de la planta o el punto de conexión a la red).

- Si no está seguro sobre qué registro de datos nacionales es el correcto para su país o para el uso previsto, póngase en contacto con el operador de red y aclare qué registro de datos nacionales debe configurar.

El procedimiento básico para la modificación de los parámetros de funcionamiento se describe en otro capítulo (consulte el capítulo 4.11 "Modificación de los parámetros de funcionamiento", página 94).

Procedimiento:

- Seleccione en el grupo de parámetros **Monitorización de la red > Monitorización de la red** el parámetro **Configurando norma nacional** y configure el registro de datos nacionales deseado.

4.13 Configuración de la gestión de la inyección

⚠ ESPECIALISTA

Si el operador de red lo exige, el inversor puede ofrecer servicios de gestión de red, que pueden configurarse a través de la gestión de la inyección del inversor. Acuerde de antemano con su operador de red la configuración de la gestión de la inyección.

El procedimiento básico para la modificación de los parámetros de funcionamiento se describe en otro capítulo (consulte el capítulo 4.11 "Modificación de los parámetros de funcionamiento", página 94).

Procedimiento:

1. Abra la interfaz de usuario (consulte el capítulo 4.1, página 81).
2. Inicie sesión en la interfaz como **Instalador**.
3. Seleccione el menú **Ajustes del usuario** en la parte derecha de la barra de menús (consulte el capítulo 4.3 "Estructura de la página de inicio de la interfaz de usuario", página 87).
4. Seleccione **[Iniciar el asistente de instalación]** en el menú contextual.
5. Seleccione **[Guardar y continuar]** hasta el paso **Gestión de la inyección**.
6. Configure la gestión de la inyección de la forma deseada.

4.14 Configurar la función Rapid Shutdown

⚠ ESPECIALISTA

La función Rapid Shutdown del inversor debe activarse si los módulos fotovoltaicos o los strings están equipados con un seccionador adicional de CC que desconecta el generador fotovoltaico del inversor. Puede activar la función Rapid Shutdown seleccionando uno de los tres modos de funcionamiento disponibles según el seccionador de CC utilizado. Si no desea utilizar la función Rapid Shutdown, puede desactivar la función Rapid Shutdown.

Explicación de los modos de funcionamiento:

Modo de funcionamiento	Explicación
Encendido	Al utilizar un seccionador de CC adicional e independiente del inversor entre el inversor y el generador fotovoltaico que desconecta el generador fotovoltaico.
SunSpec Shutdown	Al utilizar módulos conmutadores fotovoltaicos según la SunSpec Interoperability Specification.
Apagado	La función Rapid Shutdown está desactivada.

Procedimiento:

1. Abra la interfaz de usuario (consulte el capítulo 4.1, página 81).
2. Inicie sesión en la interfaz como **Instalador**.
3. Seleccione el menú **Ajustes del usuario** en la parte derecha de la barra de menús (consulte el capítulo 4.3 "Estructura de la página de inicio de la interfaz de usuario", página 87).
4. Seleccione [**Iniciar el asistente de instalación**] en el menú contextual.
5. Seleccione [**Guardar y continuar**] hasta el paso **Funciones de seguridad**.
6. Configure la función Rapid Shutdown según el seccionador de CC utilizado.

4.15 Modificación del modo de funcionamiento del relé multifunción

ESPECIALISTA

De manera predeterminada, el relé multifunción está ajustado en el modo de funcionamiento **Aviso de fallo (FltInd)**. Si ha decidido utilizar otro modo de funcionamiento y ha llevado a cabo la conexión eléctrica conforme a dicho modo de funcionamiento y según la respectiva variable de conexión, deberá modificar también el modo de funcionamiento del relé multifunción y, en su caso, efectuar otros ajustes.

El procedimiento básico para la modificación de los parámetros de funcionamiento se describe en otro capítulo (consulte el capítulo 4.11 "Modificación de los parámetros de funcionamiento", página 94).

Procedimiento:

1. Abra el menú **Parámetros del equipo**.
2. Seleccione [**Modificar parámetros**].
3. Seleccione en el grupo de parámetros **Equipo > Relé multifunción > Modo de funcionamiento** el parámetro **Modo de funcionamiento del relé multifunción** o **Mlt.OpMode** y ajuste el modo de funcionamiento deseado.
4. Si ha ajustado el modo **Consumo característico** o **SelfCsmP**, realice estos otros ajustes:
 - Seleccione en el grupo de parámetro **Equipo > Relé multifunción > Autoconsumo > Potencia de conexión mínima** el parámetro **Potencia de conexión mínima del relé multifunción Consumo característico** o **Mlt.MinOnPwr** y ajuste el valor deseado. para indicar la potencia a partir de la cual debe activarse el equipo consumidor.
 - Seleccione en el grupo de parámetros **Equipo > Relé multifunción > Autoconsumo > Duración mínima de la potencia de conexión** el parámetro **Duración mínima de la potencia de conexión del relé multifunción Consumo característico** o **Mlt.MinOnPwrTmm** y ajuste el valor deseado. para indicar el tiempo mínimo durante el cual la potencia debe ser superior a la potencia mínima de conexión para que se conecte el equipo consumidor.

- Seleccione en el grupo de parámetros **Equipo > Relé multifunción > Autoconsumo > Tiempo mínimo de conexión** el parámetro **Tiempo mínimo de conexión del relé multifunción Consumo característico** o **Mlt.MinOnPwr** y ajuste el valor deseado, para indicar el tiempo mínimo durante el cual debe permanecer conectado el equipo consumidor.
5. Si ha elegido el modo de funcionamiento **Control mediante comunicación** o **ComCtl** seleccione en el grupo de parámetros **Equipo > Relé multifunción > Control mediante comunicación > Estado** el parámetro **Estado del relé multifunción con control mediante comunicación** o **Mlt.ComCtl.Sw** y ajuste el valor deseado. De este modo indica si el relé multifunción se puede controlar por medio de un producto de comunicación.
 6. Si ha elegido el modo de funcionamiento **Banco de baterías** o **BatCha**, realice estos otros ajustes:
 - Seleccione en el grupo de parámetros **Equipo > Relé multifunción > Autoconsumo > Banco de baterías > Potencia de conexión mínima** el parámetro **Potencia de conexión mínima del relé multifunción Banco de baterías** o **Mlt.MinOnPwr** y ajuste el valor deseado, para indicar la potencia a partir de la cual debe cargarse la batería.
 - Seleccione en el grupo de parámetros **Equipo > Relé multifunción > Banco de baterías > Pausa mínima antes de una nueva conexión** el parámetro **Pausa mínima antes de una nueva conexión del banco de baterías MFR** o **Mlt.BatCha.Tmm** y ajuste el valor deseado para indicar el tiempo mínimo que debe transcurrir después de cargar la batería para que esta pueda volver a cargarse otra vez.
 7. Para guardar los cambios, seleccione [**Guardar todo**].

4.16 Configuración de la función Modbus

ESPECIALISTA

De manera predeterminada, la interfaz Modbus está desactivada y están ajustados los puertos de comunicación 502.

Para poder acceder a los inversores de SMA con SMA Modbus® o SunSpec® Modbus®, es necesario activar la interfaz Modbus. Una vez activada la interfaz, pueden modificarse los puertos de comunicación de ambos protocolos IP. Encontrará más información sobre la puesta en marcha y la configuración de la interfaz Modbus en la información técnica "Interfaz de SMA y de SunSpec Modbus®" en www.SMA-Solar.com.

Para obtener información sobre los registros Modbus compatibles, consulte la información técnica "Parámetros y valores de medición de Modbus®" en www.SMA-Solar.com.

Seguridad de los datos con la interfaz Modbus activada

Si activa la interfaz Modbus, existe el riesgo de que usuarios no autorizados puedan acceder a los datos de su planta fotovoltaica y manipularlos.

Para establecer la seguridad de datos, adopte las medidas de seguridad apropiadas, por ejemplo, estas:

- Instalar un cortafuegos.
- Cerrar los puertos de red que no se necesiten.
- Permitir el acceso remoto solo a través de un túnel VPN.
- No configurar ningún reenvío de puertos en los puertos de comunicación utilizados.
- Para desactivar la interfaz Modbus, restablezca los ajustes de fábrica del inversor o vuelva a desactivar los parámetros activados.

Procedimiento:

- Active la interfaz Modbus y modifique los puertos de comunicación en caso necesario (consulte la información técnica "Interfaz de SMA y de SunSpec Modbus®" en www.SMA-Solar.com).

4.17 Configuración de SMA OptiTrac Global Peak

ESPECIALISTA

Si los módulos fotovoltaicos están parcialmente a la sombra, ajuste el intervalo de tiempo durante el cual el inversor ha de optimizar el MPP de la planta fotovoltaica. Si no quiere utilizar SMA OptiTrac Global Peak, puede desactivarlo.

El procedimiento básico para la modificación de los parámetros de funcionamiento se describe en otro capítulo (consulte el capítulo 4.11 "Modificación de los parámetros de funcionamiento", página 94).

Procedimiento:

- Seleccione en el grupo de parámetro **Lado de CC > Configuración CC > OptiTrac Global Peak** el parámetro **Tiempo de ciclo algoritmo de OptiTrac Global Peak** y ajuste el intervalo de tiempo deseado. El intervalo de tiempo óptimo es por lo general de 6 minutos. Este valor únicamente debería incrementarse si el nivel de sombra cambia muy lentamente.
 - El inversor optimiza el MPP de la planta fotovoltaica durante el intervalo de tiempo definido.
- Para desactivar el SMA OptiTrac Global Peak, ajuste en el grupo de parámetros **Lado de CC > Configuración CC > OptiTrac Global Peak** el parámetro **OptiTrac Global Peak** a **OFF**.

4.18 Desactivación del sistema de detección e interrupción de arcos voltaicos (AFCI)

⚠ ESPECIALISTA

El procedimiento básico para la modificación de los parámetros de funcionamiento se describe en otro capítulo (consulte el capítulo 4.11 “Modificación de los parámetros de funcionamiento”, página 94).

Procedimiento:

- Seleccione el parámetro **AFCI activo** o **AfcilsOn** y ajústelo en **No**.

4.19 Activación de la detección de fallos de string

⚠ ESPECIALISTA

1. Abra la interfaz de usuario (consulte el capítulo 4.1, página 81).
2. Inicie sesión en la interfaz como **Instalador**.
3. Seleccione el menú **Ajustes del usuario** en la parte derecha de la barra de menús (consulte el capítulo 4.3 “Estructura de la página de inicio de la interfaz de usuario”, página 87).
4. Seleccione [**Iniciar el asistente de instalación**] en el menú contextual.
5. Seleccione [**Guardar y continuar**] hasta el paso **Configuración de string**.
6. Active la detección de fallos de string y configúrela como desee.

4.20 Guardar la configuración en un archivo

Puede guardar la configuración actual del inversor en un archivo, que puede utilizar como copia de seguridad de los datos del inversor. También puede importar el archivo a este u otros inversores del mismo tipo o de la misma familia de equipos para configurarlos. Solamente se guardarán los parámetros del equipo, no las contraseñas.

Procedimiento:

1. Abra la interfaz de usuario (consulte el capítulo 4.1, página 81).
2. Inicie sesión en la interfaz de usuario (consulte el capítulo 4.2, página 85).
3. Seleccione el menú **Configuración del equipo**.
4. Seleccione [**Ajustes**].
5. En el menú contextual, seleccione [**Guardar la configuración en un archivo**].
6. Siga las instrucciones del cuadro de diálogo.

4.21 Cargar la configuración desde un archivo

⚠ ESPECIALISTA

Para configurar el inversor, puede cargar la configuración desde un archivo. Para ello deberá guardar primero en un archivo la configuración de otro inversor del mismo tipo o de la misma familia de equipos (consulte el capítulo 4.20 “Guardar la configuración en un archivo”, página 100). Solamente se transferirán los parámetros del equipo, no las contraseñas.

Requisitos:

- Los cambios en los parámetros relevantes para la red deben haber sido aprobados por el operador de red responsable.
- Debe conocer el código SMA Grid Guard (consulte el "Formulario de solicitud del código SMA Grid Guard" en www.SMA-Solar.com).

Procedimiento:

1. Abra la interfaz de usuario (consulte el capítulo 4.1, página 81).
2. Inicie sesión en la interfaz como **Instalador**.
3. Seleccione el menú **Configuración del equipo**.
4. Seleccione [**Ajustes**].
5. En el menú contextual, seleccione [**Cargar la configuración desde un archivo**].
6. Siga las instrucciones del cuadro de diálogo.

4.22 Actualización del firmware

⚠ ESPECIALISTA

Si no se ha configurado la actualización automática del inversor en el producto de comunicación (por ejemplo, SMA Data Manager, Cluster Controller o Sunny Portal) o a través de la interfaz de usuario del inversor, tiene la posibilidad de llevar a cabo una actualización manual del firmware.

Para actualizar el firmware, tiene dos opciones:

- A través de la interfaz de usuario del inversor.
- Por medio de un USB.

Actualización del firmware a través de la interfaz de usuario

Requisitos:

- Debe tener un archivo de actualización con el firmware deseado del inversor. El archivo de actualización puede descargarse, por ejemplo, de la página web del inversor en www.SMA-Solar.com.

Procedimiento:

1. Abra la interfaz de usuario (consulte el capítulo 4.1, página 81).
2. Inicie sesión en la interfaz de usuario (consulte el capítulo 4.2, página 85).
3. Seleccione el menú **Configuración del equipo**.
4. En la línea del inversor, haga clic en la rueda dentada y seleccione **Actualizar el firmware**.
5. Seleccione [**Buscar**] y seleccione el archivo de actualización del inversor.
6. Seleccione **Actualizar el firmware**.
7. Siga las instrucciones del cuadro de diálogo.

Actualización del firmware por medio de un USB

Requisito:

- Debe tener un USB con una capacidad de almacenamiento máxima de 32 GB y un sistema de archivos FAT32.

Procedimiento:

1. Cree en el USB una carpeta llamada "UPDATE".
2. Guarde en la carpeta "UPDATE" del USB el archivo de actualización que contiene el firmware deseado. El archivo de actualización puede descargarse, por ejemplo, de la página web del inversor en www.SMA-Solar.com. Tenga en cuenta que en la memoria USB solo debe estar guardado el archivo de la actualización con el que se va a actualizar el inversor.

3.

PELIGRO

Peligro de muerte por altas tensiones

- Desconecte el inversor de la tensión y abra la tapa de la carcasa de la Connection Unit de CC (consulte las instrucciones de instalación del inversor).

4. Enchufe el USB a la toma USB del subgrupo de comunicación.
5. Ponga en marcha el inversor (consulte las instrucciones de instalación de este).
 - Durante la fase de arranque del inversor se instala el firmware deseado.

6.

PELIGRO

Peligro de muerte por altas tensiones

- Desconecte el inversor de la tensión y abra la tapa de la carcasa de la Connection Unit de CC (consulte las instrucciones de instalación del inversor).

7. Saque el USB de la toma USB.
8. Ponga en marcha el inversor (consulte las instrucciones de instalación de este).
9. Abra la interfaz de usuario del inversor y compruebe en los eventos si la actualización del firmware ha finalizado correctamente.
10. Si la actualización del firmware no ha finalizado correctamente, proceda de nuevo a actualizarlo.

5 Limpieza del inversor

PRECAUCIÓN

Daños por productos de limpieza

Si utiliza productos de limpieza, puede dañar el producto y componentes del producto.

- Limpie el producto y todos los componentes del producto únicamente con un paño humedecido con agua limpia.
- Asegúrese de que el inversor no tenga polvo, hojas ni ningún otro tipo de suciedad.

6 Localización de errores

6.1 Olvido de la contraseña

Si olvida la contraseña del inversor, puede desconectarlo de la tensión con una clave personal de desbloqueo (Personal Unlocking Key, PUK). Cada grupo de usuarios (**Usuario** e **Instalador**) dispone de un PUK distinto para cada inversor. Consejo: En las plantas del Sunny Portal también puede asignarle una nueva contraseña al grupo de usuarios **Instalador** a través del Sunny Portal. La contraseña del grupo de usuarios **Instalador** coincide con la contraseña de la planta en el Sunny Portal.

Procedimiento:

1. Solicite el PUK (formulario disponible en www.SMA-Solar.com).
2. Abra la interfaz de usuario (consulte el capítulo 4.1, página 81).
3. En el campo **Contraseña**, introduzca el PUK recibido en vez de la contraseña.
4. Seleccione **Iniciar sesión**.
5. Abra el menú **Parámetros del equipo**.
6. Seleccione [**Modificar parámetros**].
7. Cambie la contraseña del grupo de usuarios deseado en el grupo de parámetros **Derechos de usuario > Control de acceso**.
8. Para guardar los cambios, seleccione [**Guardar todo**].

Plantas del Sunny Portal

La contraseña del grupo de usuarios **Instalador** es también la contraseña de la planta en el Sunny Portal. Cambiar la contraseña del grupo **Instalador** puede impedir que el Sunny Portal detecte el inversor.

- Asigne la contraseña modificada del grupo de usuarios **Instalador** como nueva contraseña de la planta en el Sunny Portal (consulte las instrucciones de uso de este en www.SMA-Solar.com).

6.2 Avisos de evento

Número de evento	Aviso, causa y solución
101	<p data-bbox="311 268 518 300">⚠ ESPECIALISTA</p> <p data-bbox="288 316 417 339">Error de red</p> <p data-bbox="288 352 983 403">La tensión o la impedancia de red en el punto de conexión del inversor son demasiado altas. El inversor se ha desconectado de la red pública.</p> <p data-bbox="288 416 384 440">Solución:</p> <ul data-bbox="311 453 966 504" style="list-style-type: none"> <li data-bbox="311 453 966 504">• Compruebe si la tensión de red en el punto de conexión del inversor permanece dentro del rango permitido. <p data-bbox="333 517 994 651">Si, debido a las condiciones de red locales, la tensión de red está fuera del rango admisible, póngase en contacto con el operador de red y pregúntele si puede adaptarse la tensión en el punto de inyección o si está de acuerdo con una modificación de los límites de funcionamiento monitorizados.</p> <p data-bbox="333 663 983 715">Si la tensión de red permanece dentro del rango permitido, pero sigue apareciendo este aviso, póngase en contacto con el servicio técnico.</p>
301	<p data-bbox="311 738 518 770">⚠ ESPECIALISTA</p> <p data-bbox="288 786 417 810">Error de red</p> <p data-bbox="288 823 1005 930">El promedio de 10 minutos de la tensión de red ha rebasado el rango admisible. La tensión o la impedancia de red en el punto de conexión son demasiado altas. El inversor se desconecta de la red pública para mantener la calidad de la tensión.</p> <p data-bbox="288 943 384 967">Solución:</p> <ul data-bbox="311 979 988 1062" style="list-style-type: none"> <li data-bbox="311 979 988 1062">• Compruebe durante el funcionamiento de inyección si la tensión de red en el punto de conexión del inversor permanece dentro del rango permitido. <p data-bbox="333 1075 994 1209">Si, debido a las condiciones de red locales, la tensión de red está fuera del rango admisible, póngase en contacto con el operador de red y pregúntele si puede adaptarse la tensión en el punto de inyección o si está de acuerdo con una modificación de los límites de funcionamiento monitorizados.</p> <p data-bbox="333 1222 983 1273">Si la tensión de red permanece dentro del rango permitido, pero sigue apareciendo este aviso, póngase en contacto con el servicio técnico.</p>

Número de evento	Aviso, causa y solución
401	<p data-bbox="308 215 520 247">⚠ ESPECIALISTA</p> <p data-bbox="288 263 420 287">Error de red</p> <p data-bbox="288 300 980 355">El inversor se ha desconectado de la red pública. Se ha detectado una red aislada o una variación muy acusada de la frecuencia de red.</p> <p data-bbox="288 363 386 387">Solución:</p> <ul data-bbox="308 399 996 454" style="list-style-type: none"> • Compruebe si hay fuertes fluctuaciones de frecuencia de corta duración en la conexión a la red.
501	<p data-bbox="308 470 520 502">⚠ ESPECIALISTA</p> <p data-bbox="288 518 420 542">Error de red</p> <p data-bbox="288 555 991 611">La frecuencia de red está fuera del rango permitido. El inversor se ha desconectado de la red pública.</p> <p data-bbox="288 619 386 643">Solución:</p> <ul data-bbox="308 654 996 710" style="list-style-type: none"> • Si es posible, compruebe si se producen oscilaciones frecuentes en la frecuencia de red. <p data-bbox="333 718 1002 829">Si hay cada vez más oscilaciones y este aviso aparece con frecuencia, póngase en contacto con el operador de red y pregúntele si está de acuerdo con una modificación de los parámetros de funcionamiento del inversor.</p> <p data-bbox="333 837 1002 893">Si el operador de red está de acuerdo, convenga la modificación de los parámetros de funcionamiento con el servicio técnico.</p>
601	<p data-bbox="308 909 520 941">⚠ ESPECIALISTA</p> <p data-bbox="288 957 420 981">Error de red</p> <p data-bbox="288 994 980 1050">El inversor ha detectado una cantidad inadmisibile de componente continua en la corriente de red.</p> <p data-bbox="288 1058 386 1082">Solución:</p> <ul data-bbox="308 1093 996 1212" style="list-style-type: none"> • Compruebe la componente continua de la conexión a la red. • Si este aviso aparece con frecuencia, póngase en contacto con el operador de red y consúltele si es posible aumentar el valor límite de la monitorización en el inversor.

Número de evento	Aviso, causa y solución
801	<p data-bbox="308 215 520 247">⚠ ESPECIALISTA</p> <p data-bbox="288 263 996 295">Esperando tensión de red > Fallo total de la red > Comprobar fusible</p> <p data-bbox="288 300 1005 355">El cable de CA no está conectado correctamente o el registro de datos nacionales no está ajustado correctamente.</p> <p data-bbox="288 363 386 391">Solución:</p> <ul data-bbox="308 399 996 614" style="list-style-type: none"> <li data-bbox="308 399 767 422">• Asegúrese de que el disyuntor esté conectado. <li data-bbox="308 430 996 486">• Asegúrese de que el cable de CA no esté dañado y esté correctamente conectado. <li data-bbox="308 494 968 550">• Asegúrese de que el registro de datos nacionales esté correctamente configurado. <li data-bbox="308 558 968 614">• Compruebe si la tensión de red en el punto de conexión del inversor permanece dentro del rango permitido. <p data-bbox="333 622 996 758">Si, debido a las condiciones de red locales, la tensión de red está fuera del rango admisible, póngase en contacto con el operador de red y pregúntele si puede adaptarse la tensión en el punto de inyección o si está de acuerdo con una modificación de los límites de funcionamiento monitorizados.</p> <p data-bbox="333 766 985 821">Si la tensión de red permanece dentro del rango permitido, pero sigue apareciendo este aviso, póngase en contacto con el servicio técnico.</p>
901	<p data-bbox="308 842 520 874">⚠ ESPECIALISTA</p> <p data-bbox="288 890 744 922">Falta conexión PE > Comprobar la conexión</p> <p data-bbox="288 927 896 954">El conductor de protección (PE) no está conectado correctamente.</p> <p data-bbox="288 962 386 989">Solución:</p> <ul data-bbox="308 997 918 1053" style="list-style-type: none"> <li data-bbox="308 997 918 1053">• Compruebe que el conductor de protección esté correctamente conectado.

Número de evento	Aviso, causa y solución
3401	⚠ ESPECIALISTA
3402	Sobretensión CC > Desconectar el generador
3404	Sobretensión en la entrada de CC. El inversor puede sufrir daños irreparables.
3407	Este aviso va acompañado de un parpadeo rápido de los leds.
3410	Solución:
3411	<ul style="list-style-type: none"> • Desconecte inmediatamente el inversor de la tensión. • Compruebe si la tensión de CC es menor que la tensión de entrada máxima del inversor. Si lo es, vuelva a conectar los conectadores de enchufe de CC al inversor. • Si la tensión de CC es mayor que la tensión de entrada máxima del inversor, asegúrese de que el generador fotovoltaico esté correctamente dimensionado o póngase en contacto con la persona que lo instaló. • Si este aviso se repite con frecuencia, póngase en contacto con el servicio técnico.
3412	
3501	⚠ ESPECIALISTA
	Fallo de aislamiento > Comprobar el generador
	El inversor ha detectado un fallo a tierra en el generador fotovoltaico.
	Solución:
	<ul style="list-style-type: none"> • Compruebe si se ha producido un fallo a tierra en la planta fotovoltaica.
3701	⚠ ESPECIALISTA
	Corriente de defecto excesiva > Comprobar generador
	El inversor ha detectado una corriente residual debida a una toma a tierra momentánea del generador fotovoltaico.
	Solución:
	<ul style="list-style-type: none"> • Compruebe si se ha producido un fallo a tierra en la planta fotovoltaica.
3801	⚠ ESPECIALISTA
3802	Sobrecorriente CC > Comprobar el generador
3803	Sobrecorriente en la entrada de CC. El inversor interrumpe la inyección a red durante un breve espacio de tiempo.
3805	Solución:
3806	<ul style="list-style-type: none"> • Si este aviso aparece a menudo, asegúrese de que el generador fotovoltaico esté correctamente dimensionado y conectado.
3807	
3808	

Número de evento	Aviso, causa y solución
6002 % a 6412 %	<p>⚠ ESPECIALISTA</p> <p>Autodiagnóstico > Fallo del equipo</p> <p>El servicio técnico debe determinar la causa.</p> <p>Solución:</p> <ul style="list-style-type: none"> • Póngase en contacto con el servicio técnico.
6502	<p>⚠ ESPECIALISTA</p> <p>Autodiagnóstico > Sobretemperatura</p> <p>El inversor se ha desconectado debido a una temperatura demasiado alta.</p> <p>Solución:</p> <ul style="list-style-type: none"> • Limpie las aletas de enfriamiento de la parte posterior de la carcasa y los conductos de aire de la parte superior con un cepillo suave. • Asegúrese de que el inversor disponga de suficiente ventilación. • Asegúrese de que la temperatura ambiente no sea superior a +35 °C (95 °F). • Asegúrese de que el inversor no esté expuesto a la irradiación solar directa.
6512	<p>No se alcanza 1ª de funcionamiento mínima</p> <p>El inversor solo vuelve a inyectar a la red una vez alcanzada una temperatura de -25 °C.</p>
6603 6604	<p>⚠ ESPECIALISTA</p> <p>Autodiagnóstico > Sobrecarga</p> <p>El servicio técnico debe determinar la causa.</p> <p>Solución:</p> <ul style="list-style-type: none"> • Póngase en contacto con el servicio técnico.
6701 6702	<p>⚠ ESPECIALISTA</p> <p>Error en la comunicación</p> <p>Error en el procesador de comunicación, aunque el inversor sigue inyectando. El servicio técnico debe determinar la causa.</p> <p>Solución:</p> <ul style="list-style-type: none"> • Si este aviso aparece con frecuencia, póngase en contacto con el servicio técnico.

Número de evento	Aviso, causa y solución
7102	<p>⚠ ESPECIALISTA</p> <p>Archivo de parámetros no encontrado o defectuoso</p> <p>No se ha encontrado el archivo de parámetros, o bien está defectuoso. La carga del archivo de parámetros ha fallado. El inversor continúa inyectando.</p> <p>Solución:</p> <ul style="list-style-type: none"> • Vuelva a copiar el archivo de parámetros en el directorio correcto.
7105	<p>⚠ ESPECIALISTA</p> <p>Configuración de parámetros fallida</p> <p>Los parámetros no se han podido ajustar desde la tarjeta de memoria. El inversor continúa inyectando.</p> <p>Solución:</p> <ul style="list-style-type: none"> • Asegúrese de que ha ajustado correctamente los parámetros. • Asegúrese de que dispone del código SMA Grid Guard.
7106	<p>Archivo de actualización defectuoso</p> <p>El archivo de actualización está defectuoso. La actualización ha fallado. El inversor continúa inyectando.</p>
7110	<p>Archivo de actualización no encontrado</p> <p>No se ha encontrado ningún archivo de actualización en la tarjeta SD. La actualización ha fallado. El inversor continúa inyectando.</p>
7112	<p>Archivo de actualización copiado con éxito</p>
7113	<p>Tarj. memoria llena o protegida contra escritura</p>
7201 7202	<p>No posible guardar</p>
7303	<p>⚠ ESPECIALISTA</p> <p>Actualización ordenador central fallida</p> <p>El servicio técnico debe determinar la causa.</p> <p>Solución:</p> <ul style="list-style-type: none"> • Póngase en contacto con el servicio técnico.
7320	<p>El equipo ha sido actualizado con éxito</p> <p>Se ha actualizado el firmware correctamente.</p>
7330	<p>Compr. cond. fallida</p> <p>No se han comprobado correctamente las condiciones de actualización. El paquete de actualización del firmware no es compatible con este inversor.</p>

Número de evento	Aviso, causa y solución
7331	<p>Transp. actualización iniciado</p> <p>Se copiará el fichero de actualización.</p>
7332	<p>Transp. actualización correcto</p> <p>El fichero de actualización se ha copiado correctamente en la memoria interna del inversor.</p>
7333	<p>⚠ ESPECIALISTA</p> <p>Transp. actualización fallido</p> <p>No ha podido copiarse el fichero de actualización en la memoria interna del inversor. Si la conexión al inversor es mediante WLAN, esto podría deberse a una mala calidad de la conexión.</p> <p>Solución:</p> <ul style="list-style-type: none"> • Intente realizar la actualización de nuevo. • En caso de conexión WLAN, mejore la calidad de la conexión (por ejemplo, mediante un repetidor WLAN) o utilice ethernet para establecer la conexión con el inversor. • Si este aviso aparece de nuevo, póngase en contacto con el servicio técnico.
7341	<p>Actualización de bootloader</p> <p>El inversor está actualizando el bootloader.</p>
7342	<p>⚠ ESPECIALISTA</p> <p>Error de actualización bootloader</p> <p>La actualización del bootloader ha fallado.</p> <p>Solución:</p> <ul style="list-style-type: none"> • Intente realizar la actualización de nuevo. • Si este aviso aparece de nuevo, póngase en contacto con el servicio técnico.
7347	<p>⚠ ESPECIALISTA</p> <p>Fichero incompatible</p> <p>El fichero de configuración no es compatible con este inversor.</p> <p>Solución:</p> <ul style="list-style-type: none"> • Asegúrese de que el fichero de configuración seleccionado sea compatible con este inversor. • Intente importarlo de nuevo.

Número de evento	Aviso, causa y solución
7348	<p>⚠ ESPECIALISTA</p> <p>Formato incorrecto de fichero El fichero de configuración no tiene el formato requerido o está dañado.</p> <p>Solución:</p> <ul style="list-style-type: none"> • Asegúrese de que el fichero de configuración seleccionado tenga el formato requerido y no esté dañado. • Intente importarlo de nuevo.
7350	<p>Iniciada la transferencia de un fichero de configuración Se está transfiriendo el fichero de configuración.</p>
7351	<p>Actualización WLAN El inversor está actualizando el módulo WLAN.</p>
7352	<p>Error actualización WLAN La actualización del módulo WLAN ha fallado.</p> <p>Solución:</p> <ul style="list-style-type: none"> • Intente realizar la actualización de nuevo. • Si este aviso aparece de nuevo, póngase en contacto con el servicio técnico.
7353	<p>Actualización del banco de datos de zonas horarias El inversor está actualizando la base de datos de husos horarios.</p>
7354	<p>⚠ ESPECIALISTA</p> <p>Error actualización banco de datos de zonas horarias La actualización de la base de datos de husos horarios ha fallado.</p> <p>Solución:</p> <ul style="list-style-type: none"> • Intente realizar la actualización de nuevo. • Si este aviso aparece de nuevo, póngase en contacto con el servicio técnico.
7355	<p>Actualización WebUI El inversor está actualizando su interfaz de usuario.</p>

Número de evento	Aviso, causa y solución
7356	<p>⚠ ESPECIALISTA</p> <p>Error actualización WebUI</p> <p>La actualización de la interfaz de usuario del inversor ha fallado.</p> <p>Solución:</p> <ul style="list-style-type: none"> • Intente realizar la actualización de nuevo. • Si este aviso aparece de nuevo, póngase en contacto con el servicio técnico.
7500 7501	<p>⚠ ESPECIALISTA</p> <p>Error ventilador > Comprobar electrónica y ventilación del inversor</p>
7619	<p>⚠ ESPECIALISTA</p> <p>Error de la comunicación al contador > Comprobar comunicación a contador</p> <p>El inversor no recibe datos del contador de energía.</p> <p>Solución:</p> <ul style="list-style-type: none"> • Asegúrese de que el contador de energía esté bien integrado en la misma red que el inversor (consulte las instrucciones del contador). • En caso de conexión WLAN, mejore la calidad de la conexión (por ejemplo, mediante un repetidor WLAN) o utilice ethernet para conectar el inversor al servidor DHCP (rúter).
7702	<p>⚠ ESPECIALISTA</p> <p>Fallo del equipo</p> <p>El servicio técnico debe determinar la causa.</p> <p>Solución:</p> <ul style="list-style-type: none"> • Póngase en contacto con el servicio técnico.

Número de evento	Aviso, causa y solución
8003	<p data-bbox="311 215 520 247">⚠ ESPECIALISTA</p> <p data-bbox="288 263 582 295">Límite pot. real Temperatura</p> <p data-bbox="288 300 996 359">El inversor ha reducido su potencia debido a una temperatura demasiado alta durante más de 10 minutos.</p> <p data-bbox="288 363 386 391">Solución:</p> <ul data-bbox="311 399 1008 614" style="list-style-type: none"> <li data-bbox="311 399 1008 454">• Limpie las aletas de enfriamiento de la parte posterior de la carcasa y los conductos de aire de la parte superior con un cepillo suave. <li data-bbox="311 462 924 486">• Asegúrese de que el inversor disponga de suficiente ventilación. <li data-bbox="311 494 980 550">• Asegúrese de que la temperatura ambiente no sea superior a +35 °C (95 °F). <li data-bbox="311 558 957 614">• Asegúrese de que el inversor no esté expuesto a la irradiación solar directa.
8101 8102 8103 8104	<p data-bbox="311 630 520 662">⚠ ESPECIALISTA</p> <p data-bbox="288 678 543 710">Error en la comunicación</p> <p data-bbox="288 715 700 742">El servicio técnico debe determinar la causa.</p> <p data-bbox="288 746 386 774">Solución:</p> <ul data-bbox="311 782 739 805" style="list-style-type: none"> <li data-bbox="311 782 739 805">• Póngase en contacto con el servicio técnico.
9002	<p data-bbox="311 821 520 853">⚠ ESPECIALISTA</p> <p data-bbox="288 869 649 901">Código SMA Grid Guard no válido</p> <p data-bbox="288 906 1008 965">El código SMA Grid Guard introducido no es correcto. Los parámetros siguen estando protegidos y no pueden modificarse.</p> <p data-bbox="288 970 386 997">Solución:</p> <ul data-bbox="311 1005 778 1029" style="list-style-type: none"> <li data-bbox="311 1005 778 1029">• Introduzca el código SMA Grid Guard correcto.
9003	<p data-bbox="288 1045 610 1077">Parámetros de red bloqueados</p> <p data-bbox="288 1082 991 1165">Los parámetros de red han quedado bloqueados y ya no pueden modificarse. En adelante, para modificarlos, deberá iniciar sesión con el código SMA Grid Guard.</p>

Número de evento	Aviso, causa y solución
9005	<p data-bbox="311 215 518 247">⚠ ESPECIALISTA</p> <p data-bbox="288 263 993 319">No es posible modificar parámetros de red > Asegurar alimentación de CC</p> <p data-bbox="288 331 617 355">Este fallo puede tener estas causas:</p> <ul data-bbox="311 363 893 451" style="list-style-type: none"> <li data-bbox="311 363 822 387">• Los parámetros que desea cambiar están protegidos. <li data-bbox="311 395 893 451">• La tensión de CC en la entrada de CC es insuficiente para el funcionamiento del ordenador central. <p data-bbox="288 459 385 483">Solución:</p> <ul data-bbox="311 491 978 579" style="list-style-type: none"> <li data-bbox="311 491 698 515">• Introduzca el código SMA Grid Guard. <li data-bbox="311 523 978 579">• Asegúrese de que esté disponible al menos la tensión de arranque de CC (el led verde parpadea, emite una luz pulsante o está encendido).
9007	<p data-bbox="311 603 518 635">⚠ ESPECIALISTA</p> <p data-bbox="288 651 502 675">Cancelar test autom.</p> <p data-bbox="288 687 777 711">Se ha cancelado el test automático (solo para Italia).</p> <p data-bbox="288 719 385 743">Solución:</p> <ul data-bbox="311 751 805 807" style="list-style-type: none"> <li data-bbox="311 751 805 775">• Asegúrese de que la conexión de CA sea correcta. <li data-bbox="311 783 687 807">• Vuelva a iniciar la autocomprobación.
9033	<p data-bbox="288 831 652 855">Se ha activado un Rapid Shutdown</p> <p data-bbox="288 863 997 919">El inversor ha detectado la activación de un Rapid Shutdown. El lado CA del inversor se ha desconectado.</p>
9034	<p data-bbox="311 935 518 967">⚠ ESPECIALISTA</p> <p data-bbox="288 983 656 1007">Error en el Rapid Shutdown System</p> <p data-bbox="288 1023 698 1046">Este aviso puede tener las siguientes causas:</p> <ul data-bbox="311 1054 995 1206" style="list-style-type: none"> <li data-bbox="311 1054 930 1078">• La función Rapid Shutdown no se ha configurado correctamente. <li data-bbox="311 1086 995 1142">• El generador fotovoltaico no pudo desconectarse correctamente. En las entradas de CC del inversor puede haber tensión. <li data-bbox="311 1150 995 1206">• La tensión de standby de todos los módulos conmutadores fotovoltaicos de un string es de > 30 V. <p data-bbox="288 1214 385 1238">Solución:</p> <ul data-bbox="311 1246 1006 1455" style="list-style-type: none"> <li data-bbox="311 1246 997 1334">• Compruebe el ajuste de la función Rapid Shutdown y asegúrese de que el modo de funcionamiento seleccionado se haya elegido según el seccionador de CC utilizado. <li data-bbox="311 1342 1006 1366">• Compruebe la funcionalidad de los módulos conmutadores fotovoltaicos. <li data-bbox="311 1374 986 1455">• Compruebe la tensión de standby de los módulos conmutadores fotovoltaicos utilizados y asegúrese de que la tensión de standby de todos los módulos conmutadores fotovoltaicos de un string sea < 30 V.

Número de evento	Aviso, causa y solución
9035	<p>Rapid Shutdown realizado correctamente</p> <p>La tensión en las entradas de CC y en la salida de CA del inversor se ha descargado correctamente.</p>
9037	<p>⚠ ESPECIALISTA</p> <p>Conexión del generador no realizada</p> <p>Los módulos conmutadores fotovoltaicos no han conectado el generador fotovoltaico.</p> <p>Solución:</p> <ul style="list-style-type: none"> • Compruebe que la funcionalidad del SunSpec sea conforme a los módulos conmutadores fotovoltaicos.
9038	<p>⚠ ESPECIALISTA</p> <p>Función de descarga Rapid Shutdown redundante no garantizada</p> <p>El servicio técnico debe determinar la causa.</p> <p>Solución:</p> <ul style="list-style-type: none"> • Póngase en contacto con el servicio técnico.
10108	Hora ajustada / hora antigua
10109	Hora ajustada / hora nueva
10110	<p>⚠ ESPECIALISTA</p> <p>Sincronización de la hora fallida: [xx]</p> <p>No ha podido obtenerse información sobre la hora del servidor NTP configurado.</p> <p>Solución:</p> <ul style="list-style-type: none"> • Asegúrese de que el servidor NTP esté configurado correctamente. • Asegúrese de que el inversor esté integrado en una red local con conexión a internet.
10118	<p>Carga de parámetros finalizada</p> <p>El archivo de configuración se ha cargado correctamente.</p>
10248	<p>⚠ ESPECIALISTA</p> <p>[Interfaz]: Red muy cargada</p> <p>La red está muy cargada. El intercambio de datos entre los equipos no es óptimo y se lleva a cabo con mucho retraso.</p> <p>Solución:</p> <ul style="list-style-type: none"> • Amplíe los intervalos de consulta. • En caso necesario, reduzca el número de equipos de la red.

Número de evento	Aviso, causa y solución
10249	<p data-bbox="308 215 520 247">⚠ ESPECIALISTA</p> <p data-bbox="291 263 593 295">[Interfaz]: Red sobrecargada</p> <p data-bbox="291 300 862 327">La red está sobrecargada. Los equipos no intercambian datos.</p> <p data-bbox="291 335 386 359">Solución:</p> <ul data-bbox="308 367 901 430" style="list-style-type: none"> <li data-bbox="308 367 716 395">• Reduzca el número de equipos de la red. <li data-bbox="308 399 901 430">• En caso necesario, amplíe los intervalos de consulta de datos.
10250	<p data-bbox="308 446 520 478">⚠ ESPECIALISTA</p> <p data-bbox="291 494 862 526">[Interfaz]: Paquetes de datos defectuosos [ok/elevado]</p> <p data-bbox="291 531 1008 614">La tasa de errores de paquetes varía. Si es elevada, la red está sobrecargada o hay una avería en la conexión con el conmutador de red o el servidor DHCP (rúter).</p> <p data-bbox="291 622 845 651">Solución si la tasa de errores de paquetes es elevada:</p> <ul data-bbox="308 659 1002 810" style="list-style-type: none"> <li data-bbox="308 659 1002 742">• En caso de conexión mediante ethernet, asegúrese de que el cable y los conectores de red no estén dañados y de que los conectores estén bien enchufados. <li data-bbox="308 750 901 778">• En caso necesario, amplíe los intervalos de consulta de datos. <li data-bbox="308 782 890 810">• En caso necesario, reduzca el número de equipos de la red.
10251	<p data-bbox="291 826 968 882">[Interfaz]: El estado de comunicación cambia a [Ok/Advertencia/Error/No conectado]</p> <p data-bbox="291 890 1002 946">El estado de comunicación con el conmutador de red o el servidor DHCP (rúter) varía. Dado el caso, aparecerá también un mensaje de error.</p>
10252	<p data-bbox="308 957 520 989">⚠ ESPECIALISTA</p> <p data-bbox="291 1005 638 1037">[Interfaz]: Conexión interrumpida</p> <p data-bbox="291 1045 722 1072">El cable de red no recibe ninguna señal válida.</p> <p data-bbox="291 1080 386 1104">Solución:</p> <ul data-bbox="308 1112 1002 1264" style="list-style-type: none"> <li data-bbox="308 1112 1002 1197">• En caso de conexión mediante ethernet, asegúrese de que el cable y los conectores de red no estén dañados y de que los conectores estén bien enchufados. <li data-bbox="308 1204 1002 1264">• Asegúrese de que el servidor DHCP (rúter) y los conmutadores que haya instalados indiquen que funcionan correctamente.

Número de evento	Aviso, causa y solución
10253	<p>⚠ ESPECIALISTA</p> <p>[Interfaz]: La velocidad de conexión cambia a [100 MBit/10 MBit] La velocidad de transferencia de datos varía. La causa del estado [10 MBit] puede ser un conector o un cable defectuosos, o bien que los conectores de red están enchufados o desenchufados.</p> <p>Solución del estado [10 MBit]:</p> <ul style="list-style-type: none"> • En caso de conexión mediante ethernet, asegúrese de que el cable y los conectores de red no estén dañados y de que los conectores estén bien enchufados. • Asegúrese de que el servidor DHCP (rúter) y los conmutadores que haya instalados indiquen que funcionan correctamente.
10254	<p>⚠ ESPECIALISTA</p> <p>[Interfaz]: El modo dúplex cambia a [Full/Half] El modo dúplex (modo de transmisión de datos) varía. La causa del estado [Half] puede ser un conector o un cable defectuosos, o bien que los conectores de red están enchufados o desenchufados.</p> <p>Solución del estado [Half]:</p> <ul style="list-style-type: none"> • En caso de conexión mediante ethernet, asegúrese de que el cable y los conectores de red no estén dañados y de que los conectores estén bien enchufados. • Asegúrese de que el servidor DHCP (rúter) y los conmutadores que haya instalados indiquen que funcionan correctamente.
10255	<p>⚠ ESPECIALISTA</p> <p>[Interfaz]: Carga de red ok La carga de red vuelve a estar dentro del rango normal después de un periodo de carga elevada.</p>
10282	<p>Inicio de sesión de [grupo de usuarios] bloqueado con [protocolo] El inicio de sesión está bloqueado durante un tiempo limitado después de varios intentos fallidos de iniciar sesión. El inicio de sesión como usuario estará bloqueado durante 15 minutos; el inicio de sesión con Grid Guard estará bloqueado durante 12 minutos.</p> <p>Solución:</p> <ul style="list-style-type: none"> • Espere hasta que haya transcurrido el tiempo indicado e intente iniciar sesión de nuevo.

Número de evento	Aviso, causa y solución
10283	<p>⚠ ESPECIALISTA</p> <p>Módulo WLAN defectuoso El módulo WLAN integrado en el inversor está defectuoso.</p> <p>Solución:</p> <ul style="list-style-type: none"> • Póngase en contacto con el servicio técnico.
10284	<p>⚠ ESPECIALISTA</p> <p>No se puede establecer ninguna conexión WLAN En estos momentos, el inversor no está conectado mediante WLAN a la red seleccionada.</p> <p>Solución:</p> <ul style="list-style-type: none"> • Asegúrese de haber introducido correctamente el SSID, la contraseña WLAN y el método de cifrado. Este método viene establecido por el router WLAN o el punto de acceso WLAN y puede modificarse en dichos dispositivos. • Asegúrese de que el router WLAN o el punto de acceso WLAN estén dentro del radio de alcance y de que indiquen que funcionan correctamente. • Si este aviso aparece con frecuencia, mejore la conexión WLAN utilizando un repetidor WLAN.
10285	<p>Conexión WLAN establecida Se ha establecido la conexión con la red WLAN seleccionada.</p>
10286	<p>⚠ ESPECIALISTA</p> <p>Conexión WLAN perdida El inversor ha perdido la conexión WLAN a la red seleccionada.</p> <p>Solución:</p> <ul style="list-style-type: none"> • Asegúrese de que el router WLAN o el punto de acceso WLAN estén todavía activos. • Asegúrese de que el router WLAN o el punto de acceso WLAN estén dentro del radio de alcance y de que indiquen que funcionan correctamente. • Si este aviso aparece con frecuencia, mejore la conexión WLAN utilizando un repetidor WLAN.
10339	<p>Webconnect activado</p>
10340	<p>Webconnect desactivado</p>
10341	<p>Fallo Webconnect: sin conexión</p>

Número de evento	Aviso, causa y solución
10343	Fallo Webconnect: gateway estándar no configurado
10344	Fallo Webconnect: servidor DNS no configurado
10345	Error Webconnect: consulta DNS no se responde xx
10346	Error Webconnect: SIP-Proxy desconocido xx
10347	Error Webconnect: servidor Stun desconocido xx
10348	Fallo Webconnect: demanda a servi. Stun no se responde
10349	Fallo Webconnect: paquet. opciones SIP no se responden
10350	Fallo Webconnect: registro de reg. SIP rechazado
10351	Error Webconnect: servidor de registro SIP desconocido xx
10352	Fallo Webconnect: comunic. defect.
10353	Fallo Webconnect: registro de servidor de registro SIP no responde
10502	Límite pot. real Frecuencia CA
10901	Inicio test automático xx
10902	Límite de desconexión actual para la protección contra subida de tensión xxx V
10903	Límite de desconexión actual para la monitorización de tensión umbral máx. inferior xxx V
10904	Límite de desconexión actual para la monitorización de tensión umbral mínimo superior xxx V
10905	Límite de desconexión actual para la monitorización de tensión umbral mínimo medio xxx V
10906	Límite de desconexión actual para la monitorización de la frecuencia umbral máx. conmutable xxx Hz
10907	Límite de desconexión actual para la monitorización de la frecuencia umbral mín. conmutable xxx Hz
10908	Límite de desconexión actual para la monitorización de la frecuencia umbral máx. inferior xxx Hz
10909	Límite de desconexión actual para la monitorización de la frecuencia umbral mín. superior xxx Hz
10910	Umbral de desconexión medido para el punto de prueba en curso xxx xx
10911	Valor convencional para el punto de prueba en curso xxx xx

Número de evento	Aviso, causa y solución
10912	Tiempo de desconexión medido para el punto de prueba en curso xx s
27103	Config. parámetros Se aplica la modificación de los parámetros.
27104	Parámetros configurados con éxito La modificación de los parámetros se ha aplicado correctamente.
27107	Archivo de actualización OK El archivo de actualización encontrado es válido.
27301	Actualización comunicación El inversor actualiza los componentes de comunicación.
27302	Actualización ordenador central El inversor está actualizando este componente.
27312	Actualización terminada El inversor ha finalizado la actualización con éxito.
29001	Código de instalador válido El código Grid Guard introducido es válido. Ahora, los parámetros protegidos están desbloqueados y puede configurarlos. Los parámetros volverán a bloquearse automáticamente al cabo de 10 horas de inyección.
29004	Parámetros de red invariables No es posible modificar los parámetros de red.

6.3 Comprobación de la existencia de un fallo a tierra en la planta fotovoltaica

⚠ ESPECIALISTA

⚠ PELIGRO

Peligro de muerte por descarga eléctrica si se tocan partes de la planta bajo tensión en caso de fallo a tierra

En caso de fallo a tierra los componentes de la planta pueden estar bajo tensión. El contacto con componentes conductores de tensión o cables puede causar la muerte o lesiones mortales por descarga eléctrica.

- Antes de cualquier trabajo, desconecte el punto de conexión de la tensión y asegure el producto contra cualquier reconexión accidental.
- Agarre los cables del generador fotovoltaico únicamente por el aislamiento.
- No toque las piezas de la base ni del bastidor del generador fotovoltaico.
- No conecte strings con un fallo a tierra al inversor.
- Desconecte de la tensión y espere 5 minutos antes de tocar los componentes de la planta fotovoltaica o del producto.

PRECAUCIÓN

Daños irreparables en el equipo de medición a causa de la sobretensión

- Use solo equipos de medición con un rango de tensión de entrada de CC de hasta 1000 V como mínimo.

Procedimiento:

Para comprobar un posible fallo a tierra en la planta fotovoltaica, realice estos pasos en el orden indicado. Los apartados a continuación muestran el procedimiento exacto.

- Compruebe si se ha producido un fallo a tierra en la planta fotovoltaica midiendo la tensión.
- Si la medición de la tensión falla, compruebe si en la planta fotovoltaica se ha producido un fallo a tierra midiendo la resistencia del aislamiento.

Comprobación mediante medición de tensión

Siga este procedimiento en cada string de la planta fotovoltaica para comprobar si existe algún fallo a tierra.

En caso de haberse instalado módulos conmutadores fotovoltaicos compatibles con la señal de comunicación SunSpec para Rapid Shutdown Systems, para la medición de tensión puede procederse según se describe. Tras la desconexión del inversor, los módulos conmutadores fotovoltaicos ya no siguen recibiendo la señal "Permission to Operate" y en lugar de la tensión del módulo según su especificación proporcionan una tensión de standby. Mediante la tensión de standby puede determinarse la correspondiente tensión de string. En el cálculo para la determinación del lugar de conexión a tierra, la tensión del módulo debe ser sustituida por la tensión de standby especificada por el módulo conmutador fotovoltaico.

Procedimiento:

1.

**PELIGRO****Peligro de muerte por altas tensiones**

- Desconecte el inversor de la tensión (consulte las instrucciones de instalación del inversor).

2. Mida las tensiones:

- Mida la tensión entre el polo positivo y el potencial de tierra (PE).
- Mida la tensión entre el polo negativo y el potencial de tierra (PE).
- Mida la tensión entre el polo positivo y el polo negativo.

Si se obtienen los siguientes resultados a la vez, hay un fallo a tierra en la planta fotovoltaica:

- Todas las tensiones medidas son estables.
- La suma de las dos tensiones contra el potencial de tierra coincide más o menos con la tensión entre el polo positivo y el polo negativo.

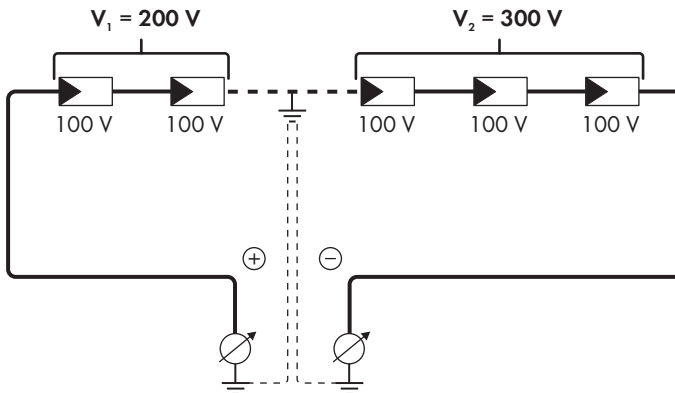
3. Si existe un fallo a tierra, localícelo por medio de la relación de las dos tensiones medidas y elimínelo.

4. Si no puede medirse claramente un fallo a tierra y el aviso continúa mostrándose, lleve a cabo una medición de la resistencia del aislamiento.

5. Vuelva a conectar al inversor los strings que no tengan fallos a tierra y ponga de nuevo en marcha el inversor (consulte las instrucciones de instalación de este).

Ubicación del fallo a tierra

Este ejemplo muestra un fallo a tierra entre el segundo y el tercer módulo fotovoltaico.



Comprobación mediante medición de la resistencia del aislamiento

Si la medición de la tensión no ofrece indicación alguna sobre la existencia de un fallo a tierra, la medición de la resistencia del aislamiento puede dar resultados más precisos.

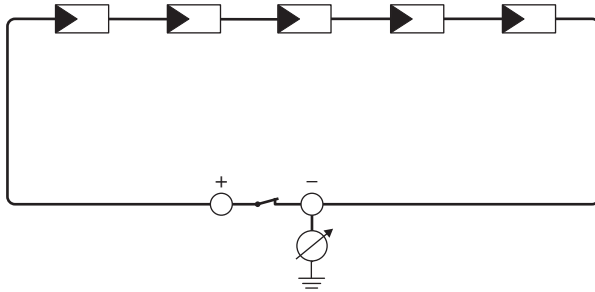


Imagen 4: Representación esquemática de la medición

i Cálculo de la resistencia del aislamiento

La resistencia total esperada de la planta fotovoltaica o de un único string puede calcularse de acuerdo con esta fórmula:

$$\frac{1}{R_{\text{total}}} = \frac{1}{R_1} + \frac{1}{R_2} + \frac{1}{R_3} + \dots$$

Puede solicitar la resistencia precisa del aislamiento de un módulo fotovoltaico al fabricante del módulo o extraerla de la ficha de datos.

Sin embargo, se puede considerar que el valor medio de la resistencia de un módulo fotovoltaico es de aprox. 40 MOhm en módulos de capa fina y de aprox. 50 MOhm en módulos fotovoltaicos poli y monocristalinos. Encontrará más información para el cálculo de la resistencia del aislamiento en la información técnica "Resistencia de aislamiento (Riso) de instalaciones fotovoltaicas sin separación galvánica" en www.SMA-Solar.com.

Equipos requeridos:

- Dispositivo adecuado para una desconexión y una puesta en cortocircuito seguras
- Equipo de medición de la resistencia del aislamiento

i Son necesarios dispositivos adecuados para una desconexión y puesta en cortocircuito seguras del generador fotovoltaico.

La medición de la resistencia de aislamiento debe realizarse siempre con dispositivos adecuados para una desconexión y puesta en cortocircuito seguras del generador fotovoltaico. Si no se dispone de dispositivos adecuados, no se debe realizar la medición de la resistencia del aislamiento.

Procedimiento:

1. Calcule la resistencia del aislamiento esperada por string.

2.

⚠ PELIGRO**Peligro de muerte por altas tensiones**

- Desconecte el inversor de la tensión (consulte las instrucciones de instalación del inversor).

3. Instale el dispositivo de cortocircuito.

4. Conecte el equipo de medición de la resistencia del aislamiento.

5. Ponga en cortocircuito el primer string.

6. Ajuste la tensión de ensayo. La tensión de ensayo debe acercarse lo máximo posible a la tensión máxima del sistema de los módulos fotovoltaicos sin sobrepasarla (consulte la ficha de datos de los módulos fotovoltaicos).

7. Mida la resistencia del aislamiento.

8. Anule el cortocircuito.

9. Efectúe de la misma forma la medición de los strings restantes.

- Si la resistencia del aislamiento de un string difiere claramente del valor calculado teóricamente, hay un fallo a tierra en el string afectado.

10. No vuelva a conectar los strings con fallo a tierra al inversor hasta que se haya eliminado el fallo.

11. Vuelva a conectar al inversor el resto de strings.

12. Ponga de nuevo en marcha el inversor (consulte las instrucciones de instalación de este).

13. Si el inversor continúa mostrando un fallo de aislamiento, póngase en contacto con el servicio técnico (consulte el capítulo 9, página 129). En ciertas circunstancias, la cantidad existente de módulos fotovoltaicos no es adecuada para el inversor.

6.4 Restablecimiento del bloqueo tras la detección de arcos voltaicos

⚠ ESPECIALISTA

Si se enciende el led rojo y aparece en la pantalla o en la lista de eventos de la interfaz de usuario del inversor el número de evento **4301** o **4302**, el inversor ha detectado un arco voltaico e interrumpe el funcionamiento de inyección.

Procedimiento:

1.

⚠ PELIGRO**Peligro de muerte por descarga eléctrica**

- Desconecte el inversor de la tensión (consulte las instrucciones de instalación del inversor).

2. Asegúrese de que no estén defectuosos los módulos fotovoltaicos, los cables de CC conectados ni la caja de bornes de la conexión de CC.

Repáre o sustituya los módulos fotovoltaicos, los cables de CC y la caja de bornes de la conexión de CC que estén defectuosos.

3. Ponga de nuevo en marcha el inversor (consulte las instrucciones de instalación de este).
 4. Abra la interfaz de usuario (consulte el capítulo 4.1, página 81).
 5. Inicie sesión en la interfaz como **Instalador** (consulte el capítulo 4.2, página 85).
 6. Restablezca el bloqueo ajustando uno de estos parámetros:
 - Seleccione el parámetro **Restablecer datos de funcionamiento** y ajústelo a **Deshacer bloqueo**.
 -
 - Seleccione el parámetro **AFCI activo** y ajústelo primero a **No** y después, otra vez a **Sí**.
- El bloqueo se restablece y el inversor inicia el funcionamiento de inyección.

7 Accesorios

En la siguiente tabla encontrará los accesorios de su producto. Si necesita alguno de ellos, solicítelos a SMA Solar Technology AG o a su distribuidor.

Denominación	Descripción breve	Número de pedido de SMA
SMA Antenna Extension Kit	Set de accesorios para un inversor de SMA para mejorar el alcance inalámbrico del inversor en la red WLAN	EXTANT-US-40
SMA Sensor Module	Interfaz para 1 inversor de SMA como equipamiento adicional para registrar datos ambientales como, por ejemplo, irradiación solar, temperatura ambiente, temperatura de las células, velocidad del viento o contador de energía SO	MD.SEN-US-40
Sistema de montaje universal	Para el montaje en paredes o como pedestal para un montaje elevado del inversor sobre el suelo.	UMS_KIT-10
SMA 485 Module	Interfaz para establecer una comunicación por cable a través de RS485	MD.485-US-40

8 Información de cumplimiento

FCC Compliance

This device complies with Part 15 of the FCC Rules.

Operation is subject to the following two conditions:

1. this device may not cause harmful interference, and
2. this device must accept any interference received, including interference that may cause undesired operation.

NOTE: This equipment has been tested and found to comply with the limits for a Class A digital device, pursuant to Part 15 of the FCC Rules. These limits are designed to provide reasonable protection against harmful interference when the equipment is operated in a commercial environment. This equipment generates, uses, and can radiate radio frequency energy and, if not installed and used in accordance with the instruction manual, may cause harmful interference to radio communications. Operation of this equipment in a residential area is likely to cause harmful interference in which case the user will be required to correct the interference at his own expense.

Changes or modifications made to this equipment not expressly approved by SMA Solar Technology AG may void the FCC authorization to operate this equipment.

9 Contacto

Si surge algún problema técnico con nuestros productos, póngase en contacto con el Servicio Técnico de SMA. Para ayudarle de forma eficaz, necesitamos que nos facilite estos datos:

- Modelo
- Número de serie
- Versión de firmware
- Aviso de evento
- Lugar y altura de montaje
- Tipo y número de módulos fotovoltaicos
- Equipamiento opcional, como productos de comunicación
- Nombre de la planta en Sunny Portal (en su caso)
- Datos de acceso para Sunny Portal (en su caso)
- Ajustes especiales específicos del país (en su caso)
- Modo de funcionamiento del relé multifunción

United States	SMA Solar Technology America LLC Rocklin, CA	Toll free for USA and US Territories +1 877-MY-SMATech (+1 877-697-6283) International: +1 916 625-0870
México	SMA Solar Technology de México Mexico City	Internacional: +1 916 625-0870

