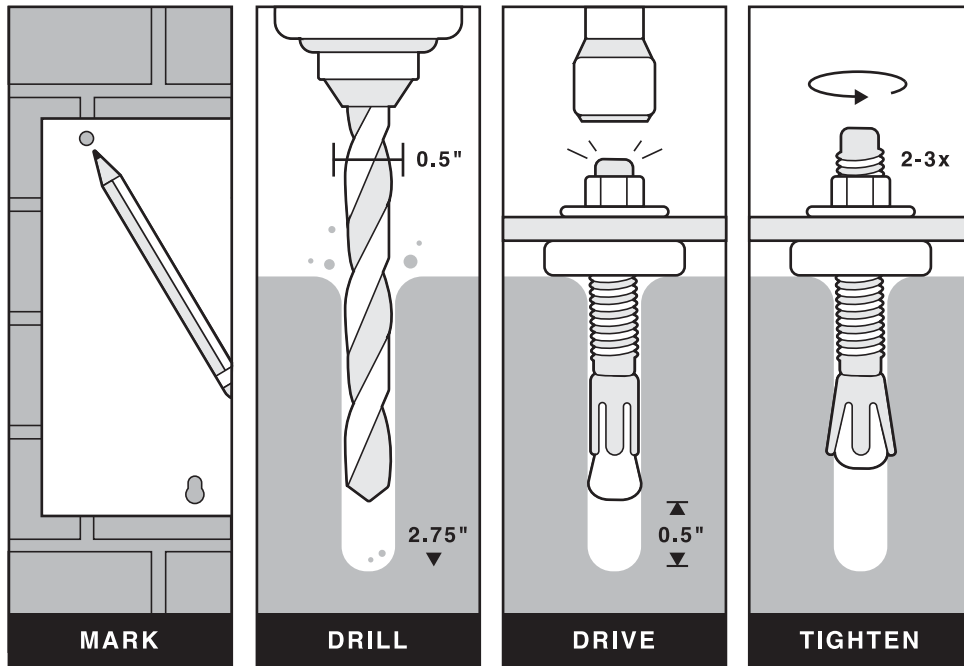
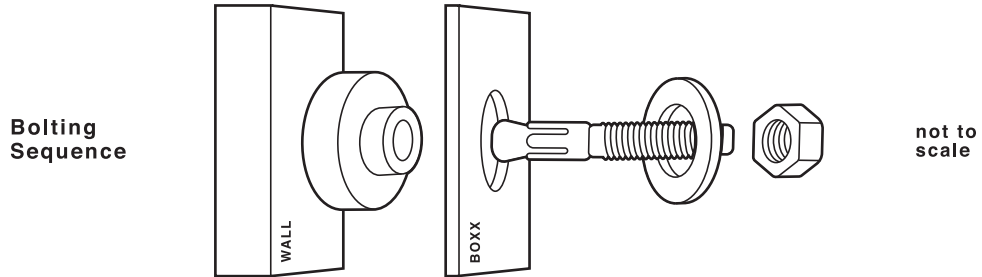




# wall mount

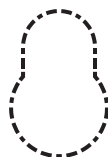
INSTRUCTIONS



**Professional Tip**

When mounting your Loxx Boxx to a brick wall, drill and set anchor into the mortar.

Learn more at [www.loxxboxx.com](http://www.loxxboxx.com)



-----  
**Marking Template**  
Mounting Holes  
100% Scale