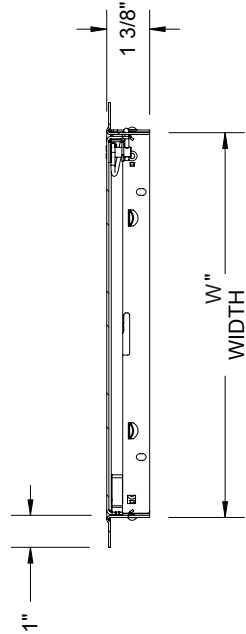
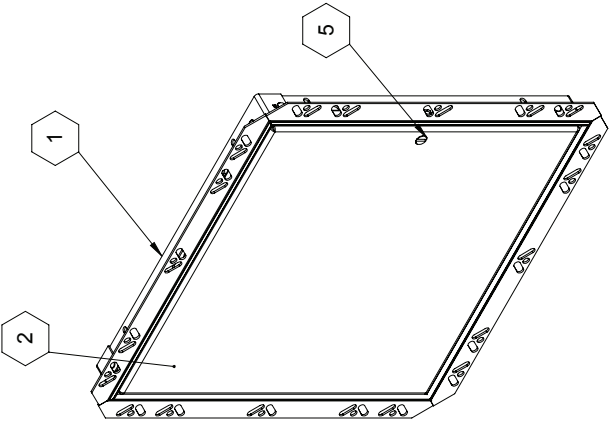


SECTION A-A

ROUGH OPENING: $W + 0.25" \times H + 0.25"$
CLEAR OPENING: $W - 1.125" \times H - 0.125"$
DEGREE OF OPENING: 134°
CAM QTY: NA Latch Side
 NA Top/Bottom Side



SECTION B-B

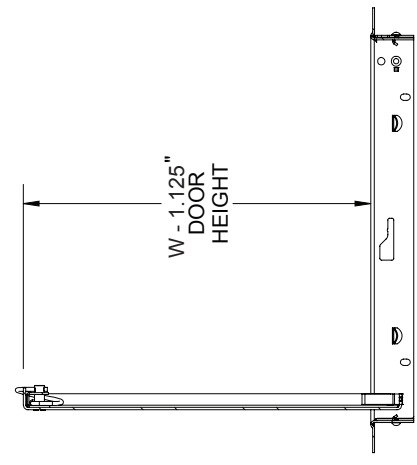
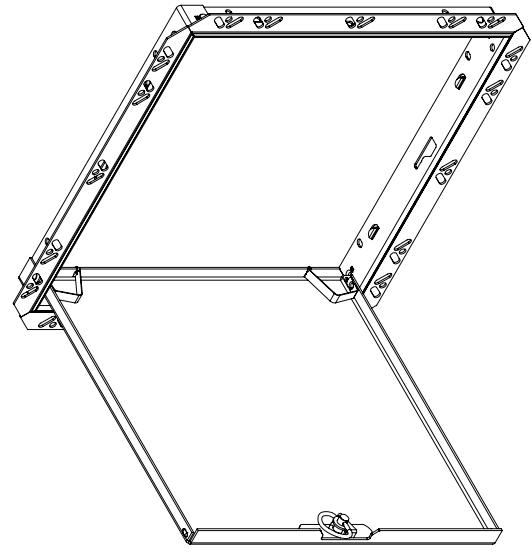
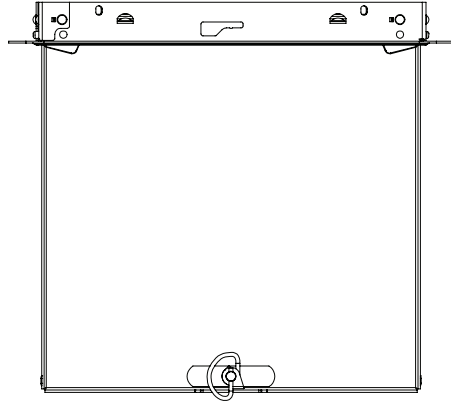
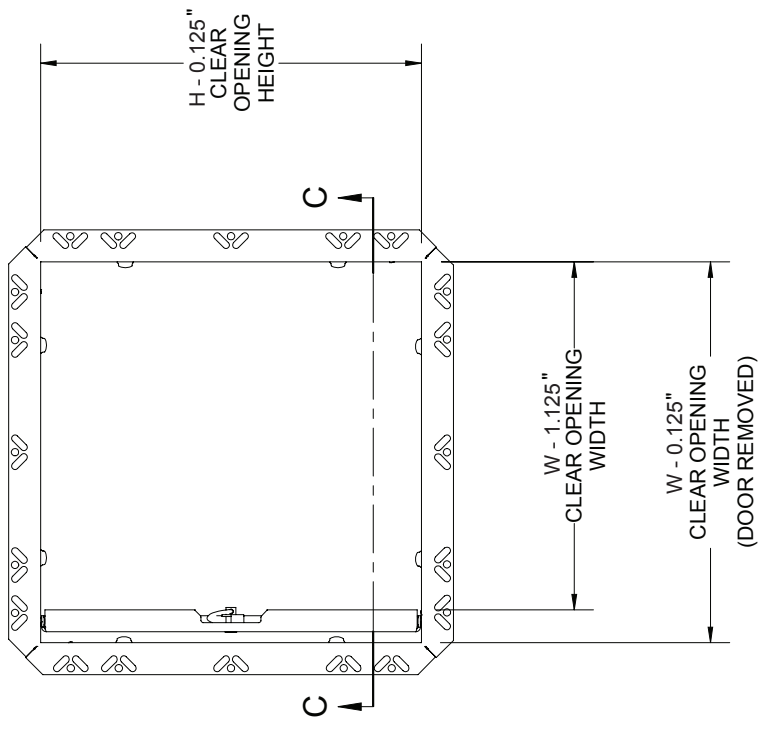
Options

- Galvanneal Steel (B)
- Gasket Installed (G)
- Masonry Anchors (M)

NOTES:

- 1 FRAME: CRS 16 Ga, 1" Drywall Bead
- 2 DOOR: CRS 14 Ga
- 3 FINISH: White Powder Paint
- 4 HINGE: Concealed Spring Button Hinge
- 5 LATCH: Screwdriver Cam
- 6 LOCK: No Lock

PROJECT:	
ARCHITECT:	
CONTRACTOR:	
QTY:	
PART#:	BNWC__
Babcock-Davis <i>Always Get the Best</i>	
9300 73rd Avenue North Brooklyn Park, MN 55428	
NAME	DATE
SIZE	A
DWG. NO.	BNW ShpDr
REV	-
WEIGHT:	VARIES
SHEET 1 OF 2	



B

A

B

A

PART#: BNNWC__		TITLE: Access Door, Non-rated WXH, CRS, White Pwd Flush Dr, Drywall, ScrDvr Cam, Conc Spring Button Hng	
Babcock-Davis Always Right On Time 9300 73rd Avenue North Brooklyn Park, MN 55428		SIZE: A	REV: -
DRAWN	NAME	DWG. NO.	BNW ShpDr
RELEASED	DATE	WEIGHT: VARIES	SHEET 2 OF 2

PROPRIETARY AND CONFIDENTIAL: THE INFORMATION CONTAINED IN THIS DRAWING IS THE SOLE PROPERTY OF BABCOCK-DAVIS. ANY REPRODUCTION IN PART OR AS A WHOLE WITHOUT THE WRITTEN PERMISSION OF BABCOCK-DAVIS IS PROHIBITED.