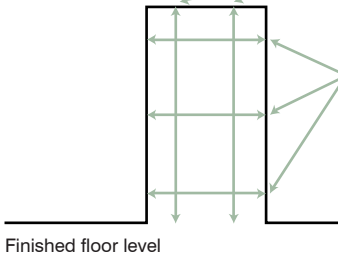




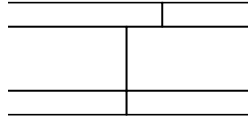
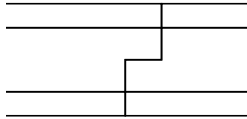
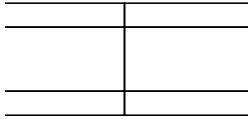


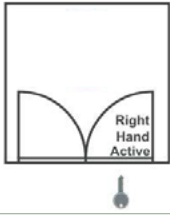
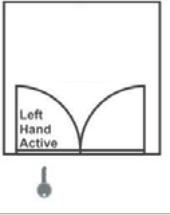






STANDARD MEASURING AND MANUFACTURING DETAILS	
<b>Door width</b>	Daylight Width - 9mm
<b>Double door width</b>	Daylight Width - 13mm (4mm each side for hinges and 5mm gap between meeting stiles)
<b>Door height</b>	Daylight Height - 13mm off Finished Floor Level (3mm from the top and 12mm from base) - X (allowances for Floor Finishes)
<b>Standard handle height</b>	1000mm to centre of lever from base of door
<b>Standard machining details</b>	Cylinder Hole is always machined to outside of door unless otherwise specified
<b>Method of measuring door openings</b>	<p>Typical door Jamb</p> <p>Measure Height on outside of Jambs</p> <p>Measure widths at 3 points and use smallest measurement (if door varies more than 4mm from top to bottom specify this under special instructions)</p>  <p>Finished floor level</p>



OPTI-LITE & VENT FLOW	OPTI-LITE	VENT FLOW
		
<b>Stock sizes</b>	200 x 900mm 200 x 1700mm 300 x 200mm 600 x 200mm 600 x 300mm 600 x 600mm 600 x 900mm	300 x 150mm 600 x 150mm 600 x 200mm 600 x 250mm 600 x 300mm 600 x 450mm 600 x 600mm



FINISHING OPTIONS	DOOR THICKNESS	DOOR FINISH	
<b>Description</b>	32mm	MDF - 9mm Skins	Plyface - Semi Solid
	35mm	MDF - 6mm Skins	External Grade - Solid Core
	38mm	MDF - 4.75mm Skins	External Grade - Semi Solid
	39mm - NSW Only	MDF - Solid Core	Duracoat - WA Only
	40mm	MDF - Foam Core	
	44mm	Plyface - Solid Core	


REBATE OPTIONS	OFFSET SQUARE	CENTRE SQUARE	PLAIN
			
<b>Availability</b>	<b>Type:</b> Solid Core Heavy Weight External Grade  <b>Thickness:</b> 38mm 39mm 40mm 44mm	<b>Type:</b> Solid Core Heavy Weight External Grade  <b>Thickness:</b> 35mm 39mm 44mm 38mm 40mm	<b>Type:</b> Light Weight  <b>Thickness:</b> 32mm 38mm 40mm 35mm 39mm 44mm


HANDING OPTIONS	RHAOA	LHAOA
		
<b>Description</b>	Right Hand Active Opening Away	Left Hand Active Opening Away

LOCK/HANDLE	TUBULAR LATCH	A0901 LOCKWOOD ENTRANCE SET	STANDARD BACKSET MORTICE LOCK	NARROW BACKSET MORTICE LOCK	ROLLER BOLT
					
<b>Description</b>	Prep for Tubular Latch	Prep for A0901 Lockwood Entrance Set	Prep for Standard Hinged Mortice	Prep for Narrow Backset Mortice	Prep for Roller Bolt

SEALS	STANDARD IS8010/RP8 BOTTOM SEAL	HEAVY DUTY IS8100/RP70 BOTTOM SEAL
		
<b>Description</b>	Prep for IS8010/RP8 Seal	Prep for IS8100/RP70 Seal

DOOR CLOSER	TRANSOM CLOSER	FLOOR SPRING
		
<b>Description</b>	Prep for Overhead Transom Closer	Prep for Floor Spring

FLUSH BOLT	
	
<b>Description</b>	Prep for Flush Bolt

ADDITIONAL MACHINING	ELECTRONIC TRANSFER SPRING
	
<b>Description</b>	Prep for Transfer Spring