

Silencio Niagara

Silent Luxury.

www.criterionindustries.com.au



Silencio Niagara

A cutting-edge solution that seamlessly combines robust functionality with whisper-quiet performance. This innovative system is designed to elevate your space, providing an unparalleled blend of strength and acoustic excellence. Silencio Niagara is a high strength aluminium roller system designed to withstand high traffic commercial settings including shops, banks, schools and hospitals.

The roller assembly boasts smooth ball bearing wheels that can hold up to 200kg and the system is designed with an end cap and removable pelmet to easily make adjustments and access rollers. Available in a variety of pre-finished colours to suit your project, Silencio Niagara is the perfect solution for a variety of commercial spaces.

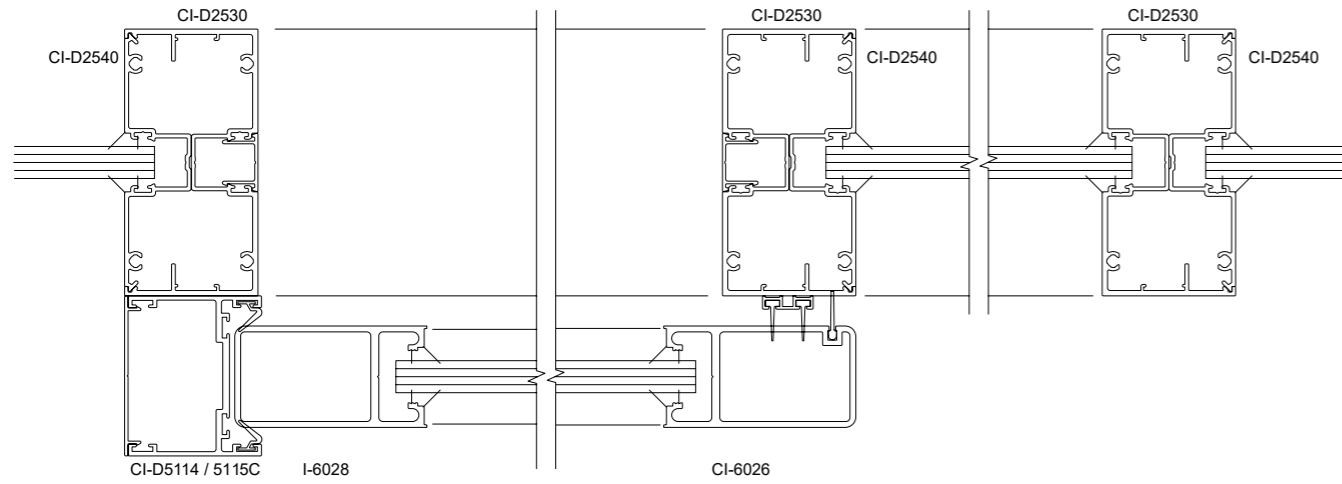
WHY CHOOSE SILENCIO NIAGARA?

- + Maximum weight capacity of 200KG
- + DDA Compliant; At 200KG
- + starting force - 15.2Nm.
- + Operating force - 14.9Nm.
- + Surface mounted system
- + Soft close function - Optional
- + Automatic sliding door drop seal
- + Maximum door size - 3000mm X 1675mm

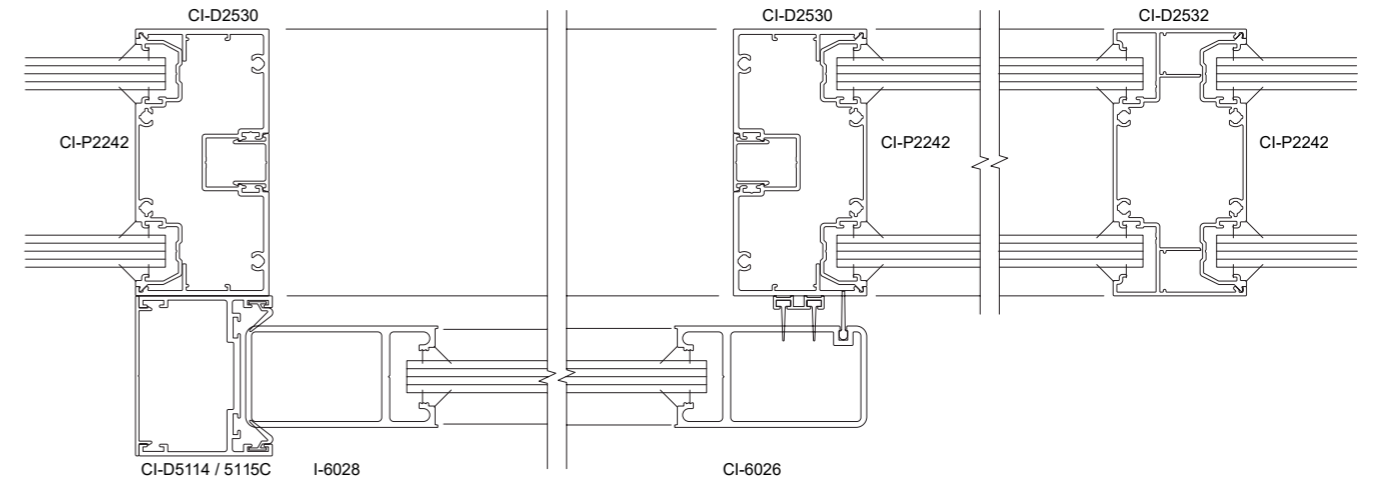
ACOUSTIC RATING

- + Acoustic rating of RW36

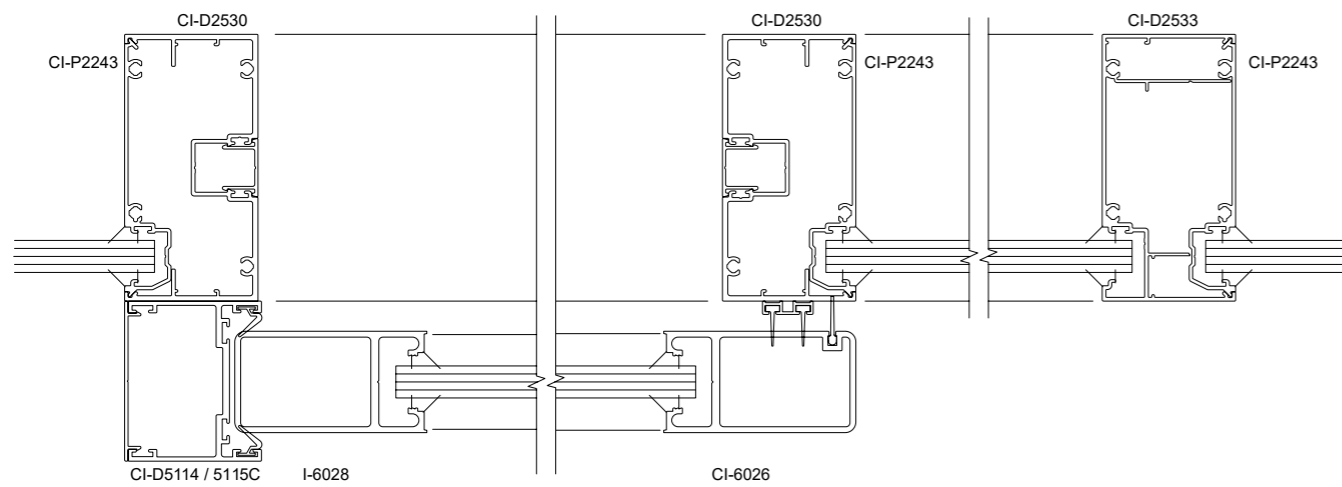




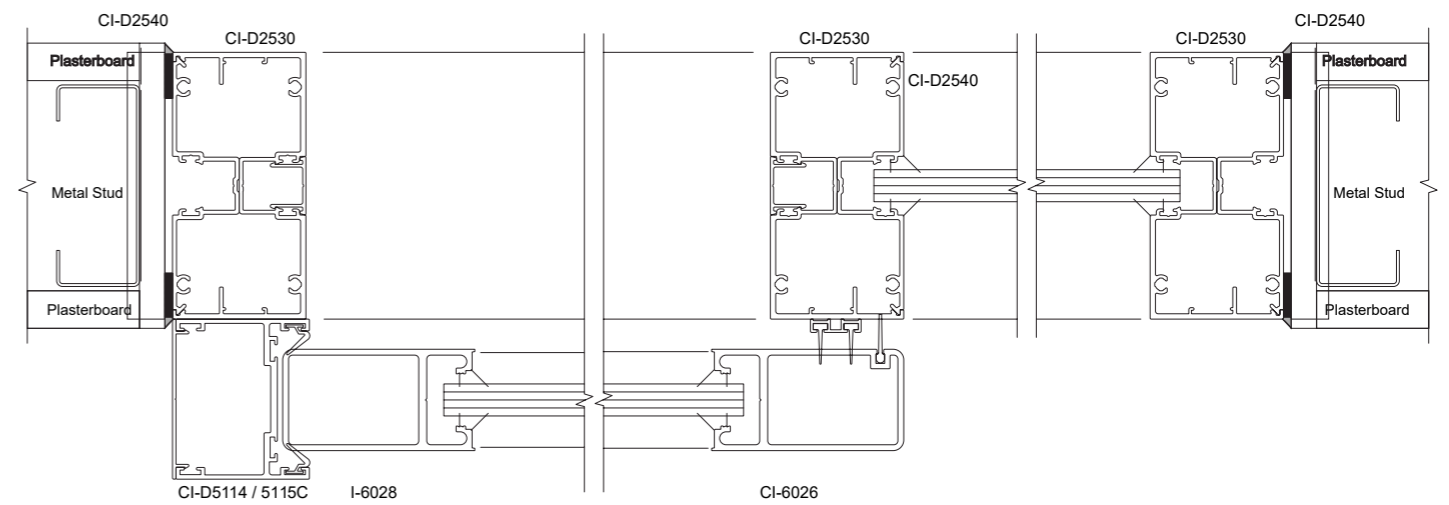
Silencio Niagara Sliding System
With Centre Glazed Sidelights



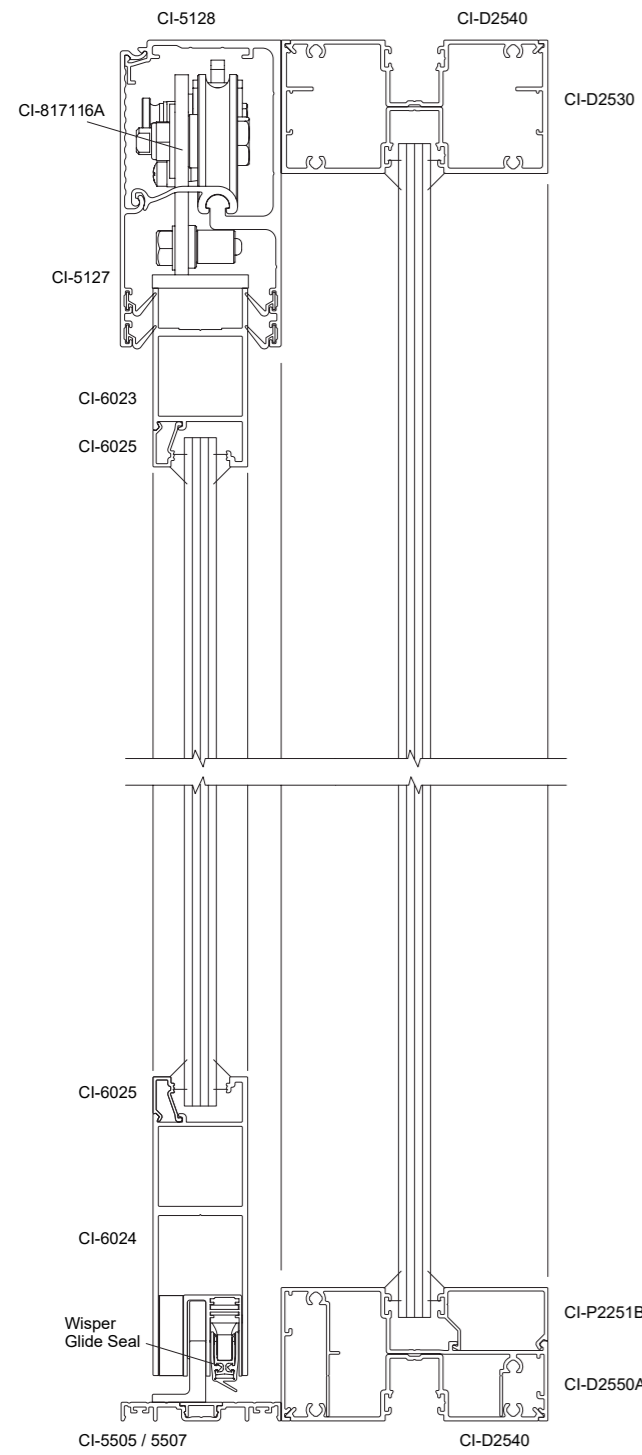
Silencio Niagara Sliding System
With Double Glazed Sidelights



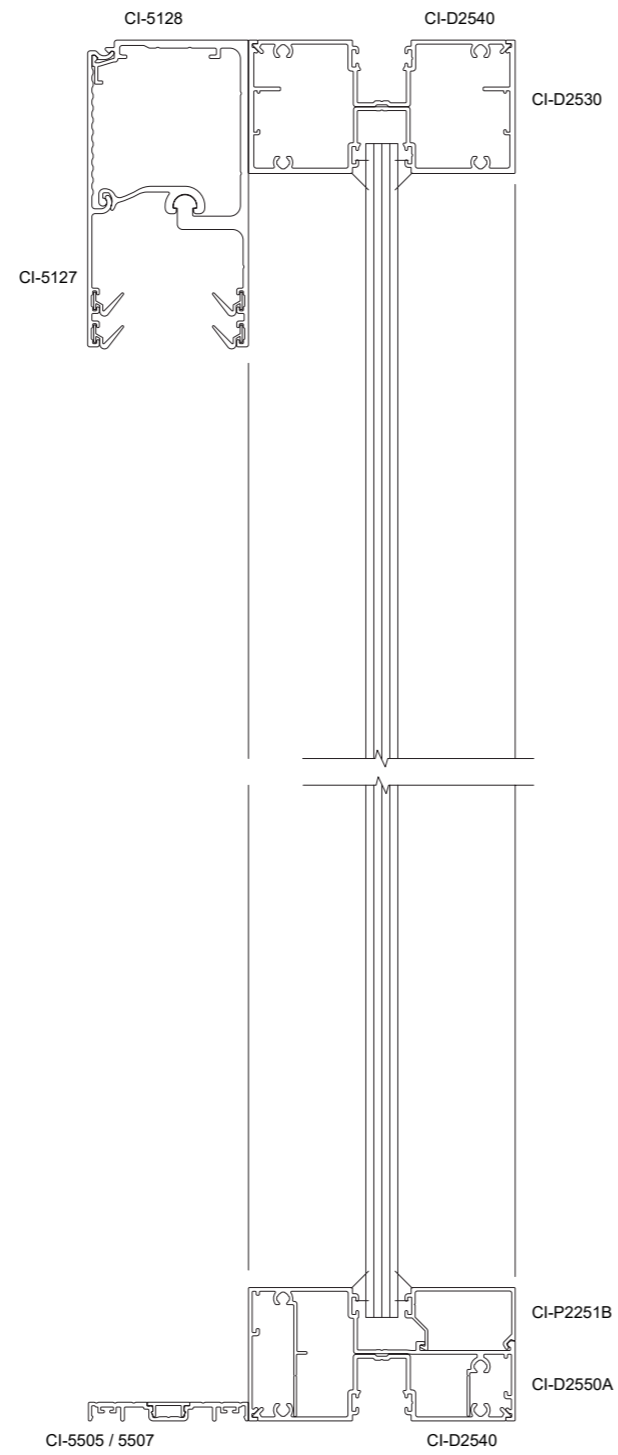
Silencio Niagara Sliding System
With Offset Glazed Sidelights



Silencio Niagara Sliding System
With Drywall



(With Door)



(Sidelite)

SILENT LUXURY.

Looking to discover more?

Contact us to book your
free demonstration:

www.criterionindustries.com.au



VIC

23 Scanlon Drive
Epping, VIC 3076
T: 03 9355 0700

sales@criterionindustries.com.au

NSW

29 Kילו Crescent
Glendenning, NSW 2761
T: 02 9355 0700

sales.nsw@criterionindustries.com.au

WA

58 Tacoma Circuit
Canning Vale WA 6155
T: 08 9355 0700

sales.wa@criterionindustries.com.au

QLD

22 Holt Street
Eagle Farm QLD 4009
T: 07 3193 8990

sales.qld@criterionindustries.com.au