



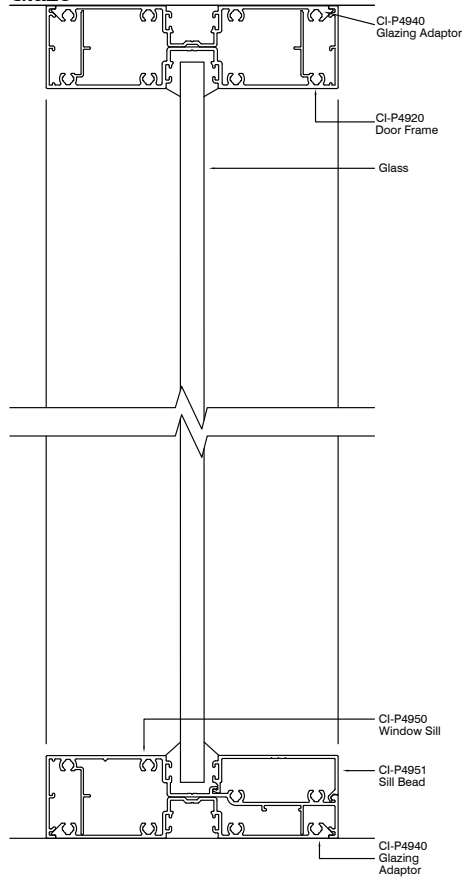
# Platinum 110

Plan and Elevation Views

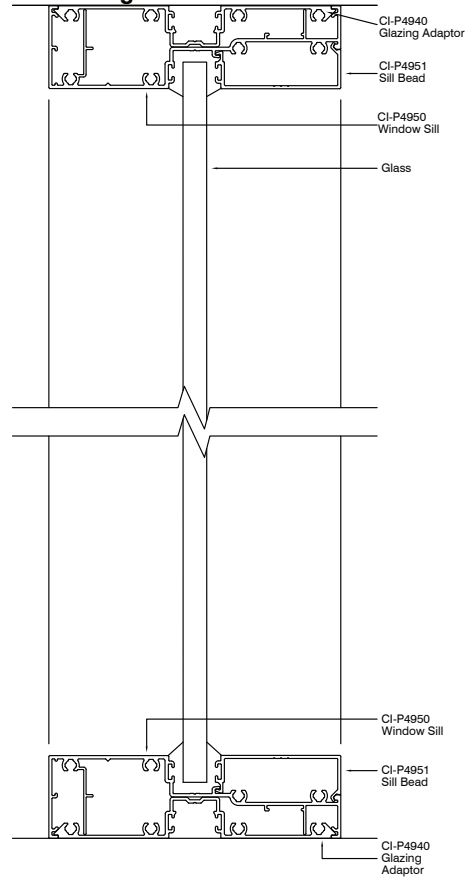
# PLATINUM 110 - WALLS AND WINDOWS

## ELEVATION AND PLAN VIEW

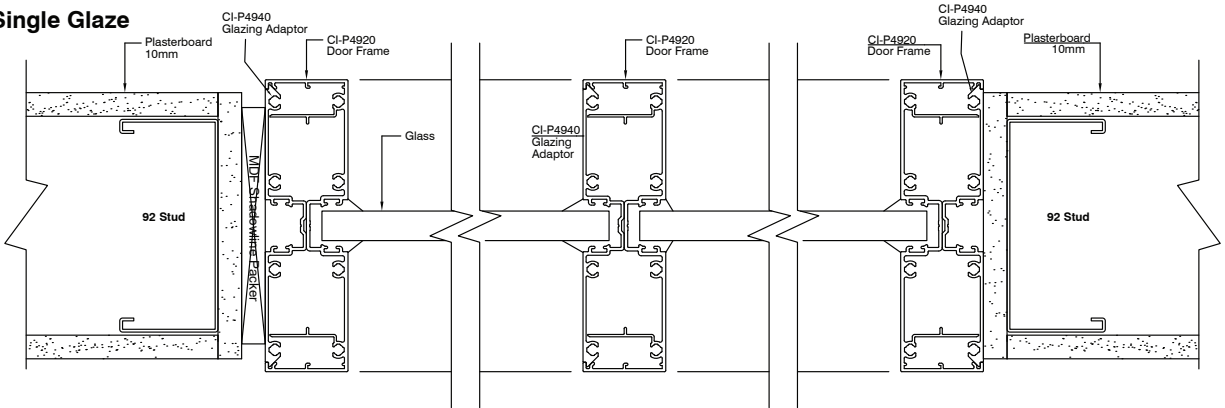
**Single Glaze**



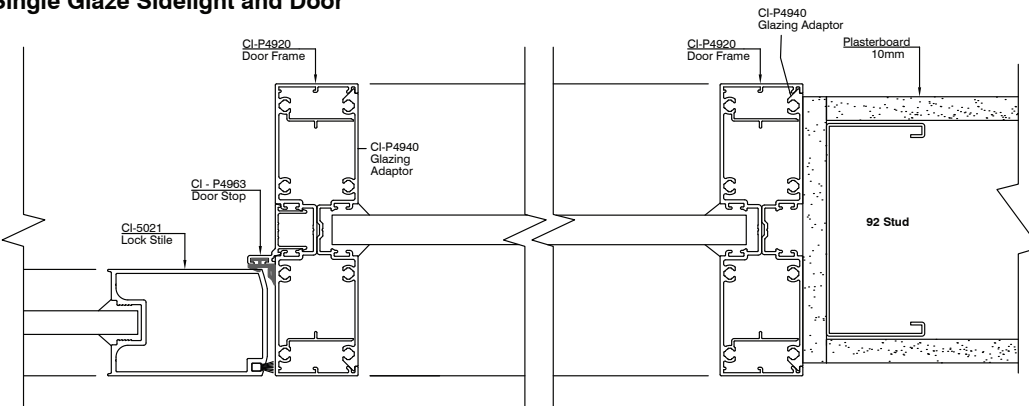
**Single Glaze using Sill Bead**



**Platinum 110 Single Glaze**



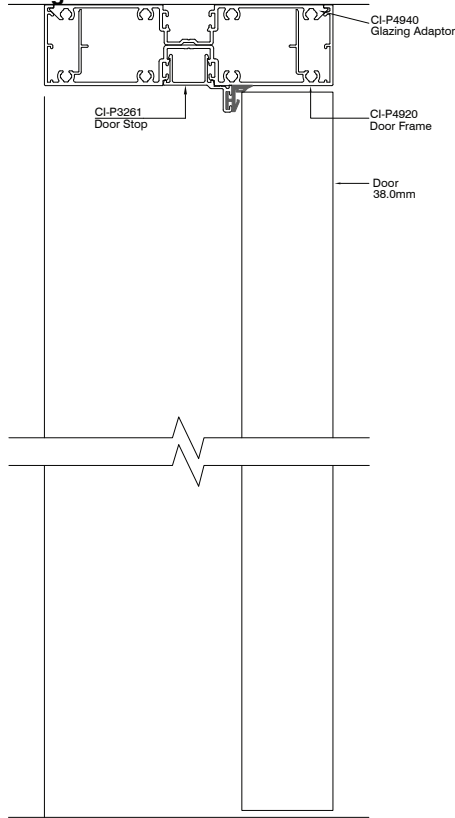
**Platinum 110 Single Glaze Sidelight and Door**



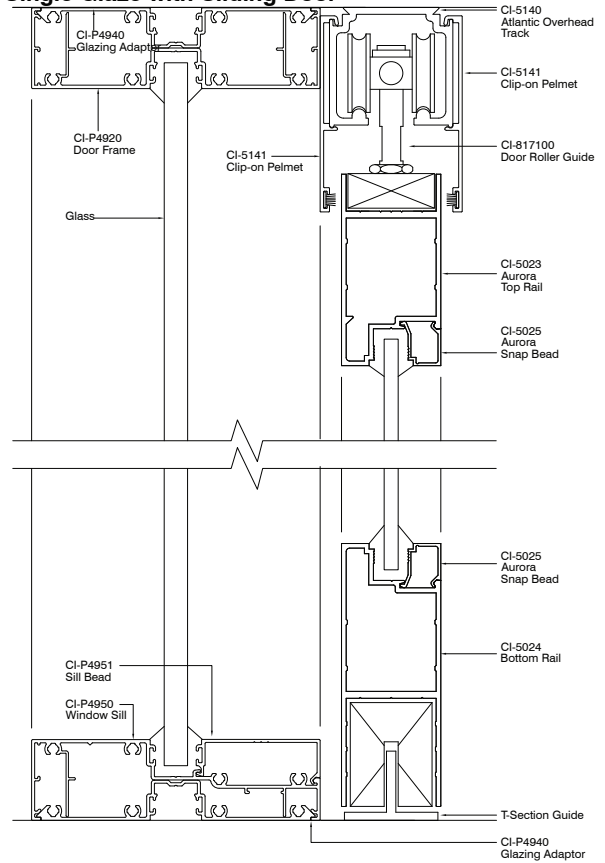
# PLATINUM 110 - DOORS

## ELEVATION VIEW

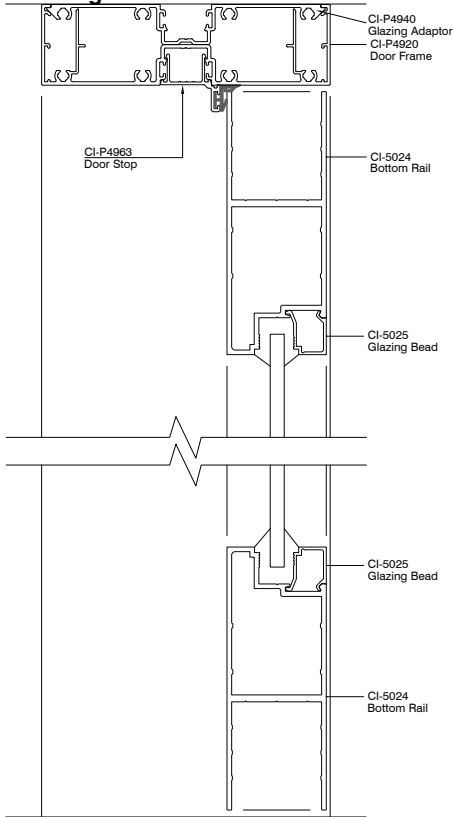
**Timber Hinge Door**



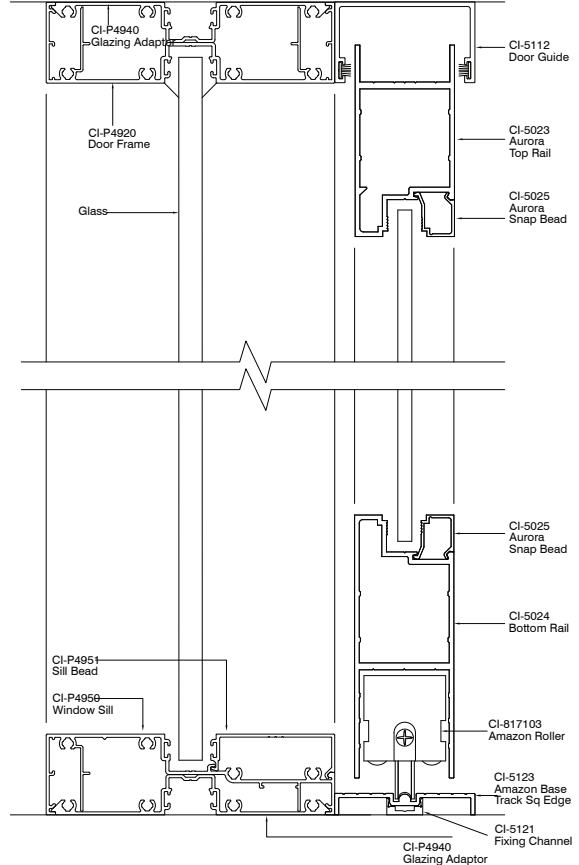
**Single Glaze with Sliding Door**



**Platinum 110 Aluminium Hinge Door**



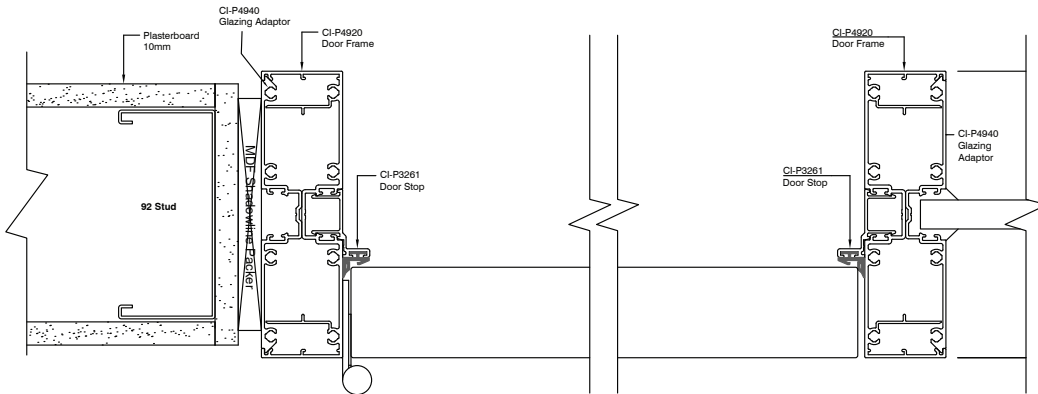
**Platinum 110 Single Glaze with Sliding Door Bottom Track**



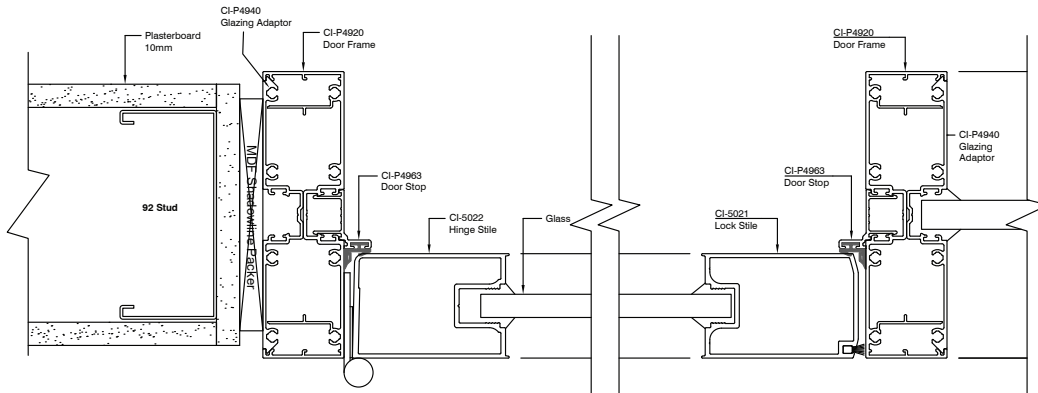
# PLATINUM 110 - DOORS

## PLAN VIEW

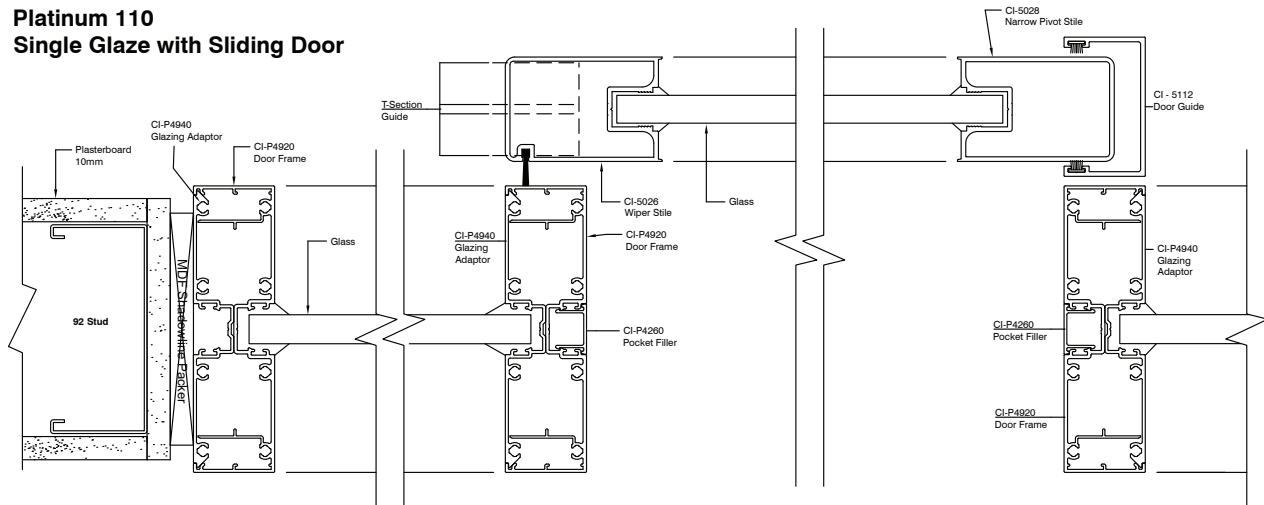
### Platinum 110 Timber Hinge Door



### Platinum 110 Aluminium Hinge Door



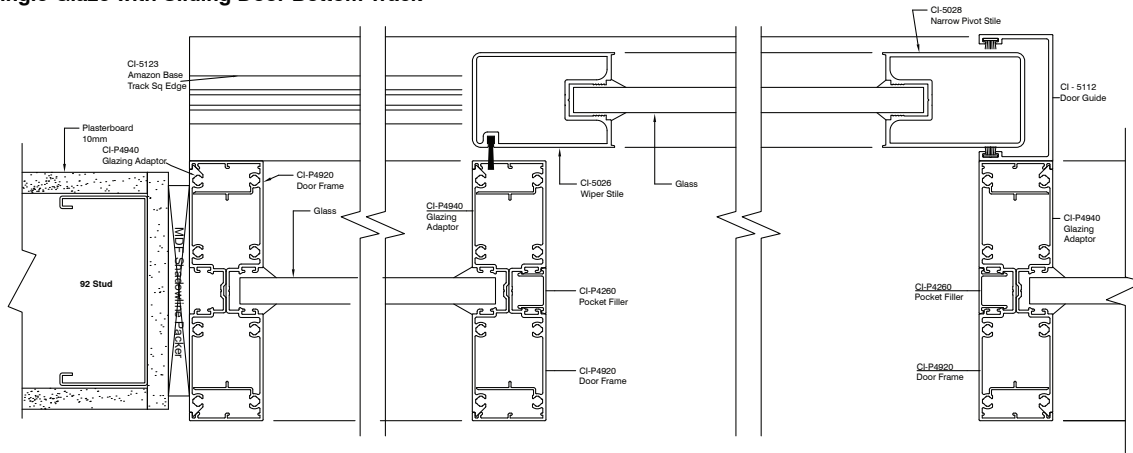
### Platinum 110 Single Glaze with Sliding Door



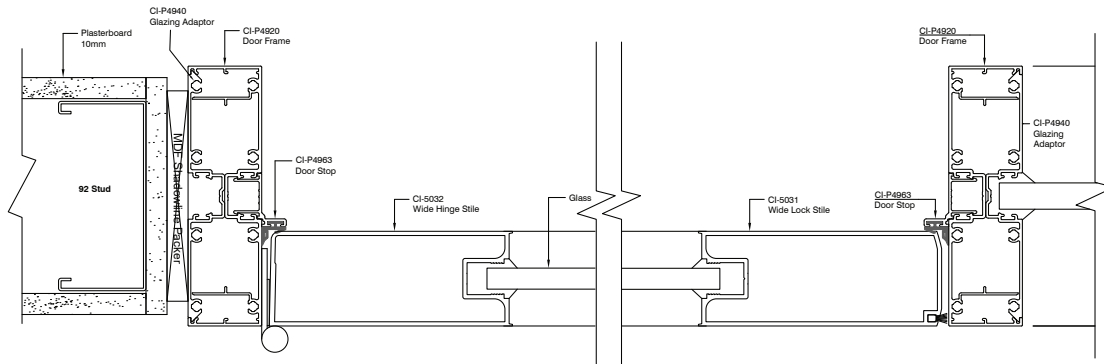
# PLATINUM 110 - DOORS

## PLAN VIEW

### Platinum 110 Single Glaze with Sliding Door Bottom Track



### Platinum 110 Aluminium Wide Hinge Door





## **VIC**

23 Scanlon Drive  
Epping, VIC, 3076  
T: 03 9355 0700

**[sales@criterionindustries.com.au](mailto:sales@criterionindustries.com.au)**

## **NSW**

95 Victoria Street  
Smithfield, NSW, 2164  
T: 02 9355 0700

294-298 Norton Street,  
Leichhardt, NSW, 2040  
T: 02 9568 2988

**[sales.nsw@criterionindustries.com.au](mailto:sales.nsw@criterionindustries.com.au)**

## **WA**

58 Tacoma Circuit  
Canning Vale WA 6155  
T: 08 9355 0700

**[sales.wa@criterionindustries.com.au](mailto:sales.wa@criterionindustries.com.au)**

## **QLD**

22 Holt Street  
Eagle Farm QLD 4009  
T: 07 3193 8990

**[sales.qld@criterionindustries.com.au](mailto:sales.qld@criterionindustries.com.au)**

**[www.criterionindustries.com.au](http://www.criterionindustries.com.au)**