



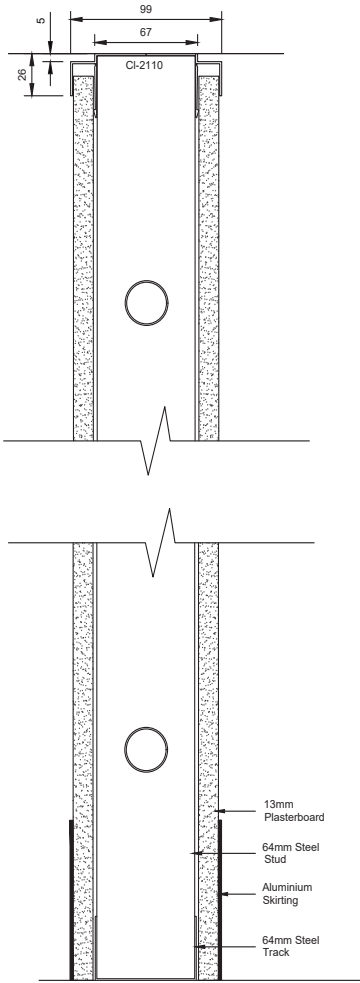
# Multiglaze 90

Plan and Elevation Views

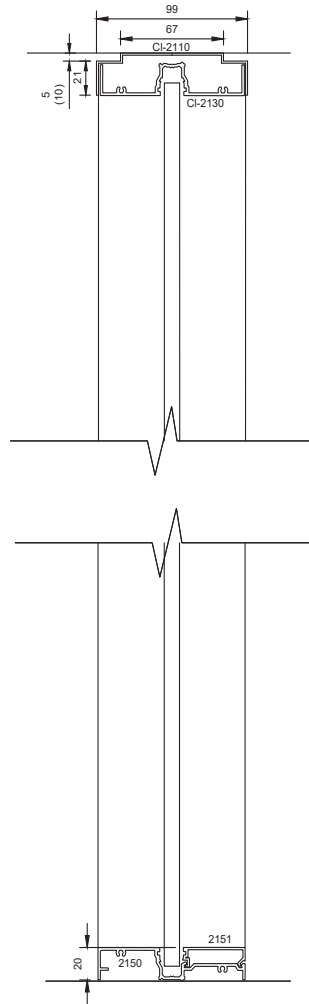
# MULTIGLAZE 90

## ELEVATION VIEW

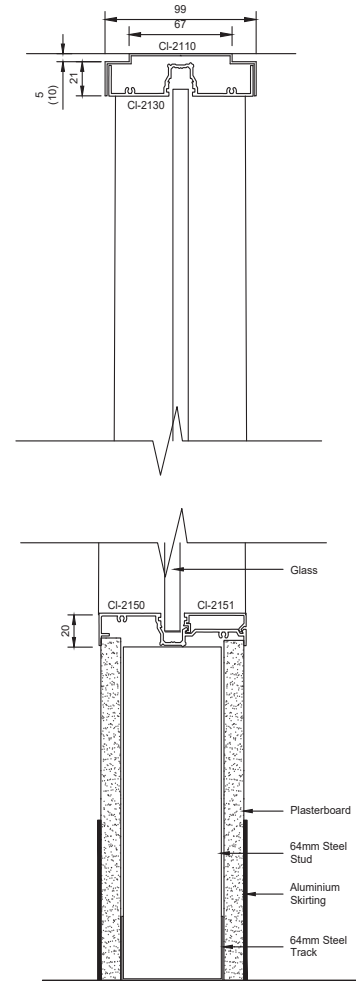
Multiglaze 90  
Full Height Plaster



Multiglaze 90  
Full Height Centre Glazing



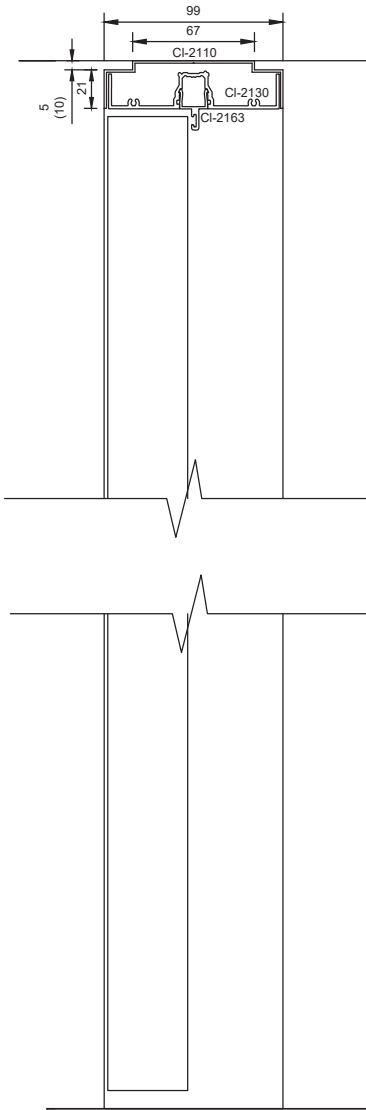
Multiglaze 90  
Half Height Centre Glazing



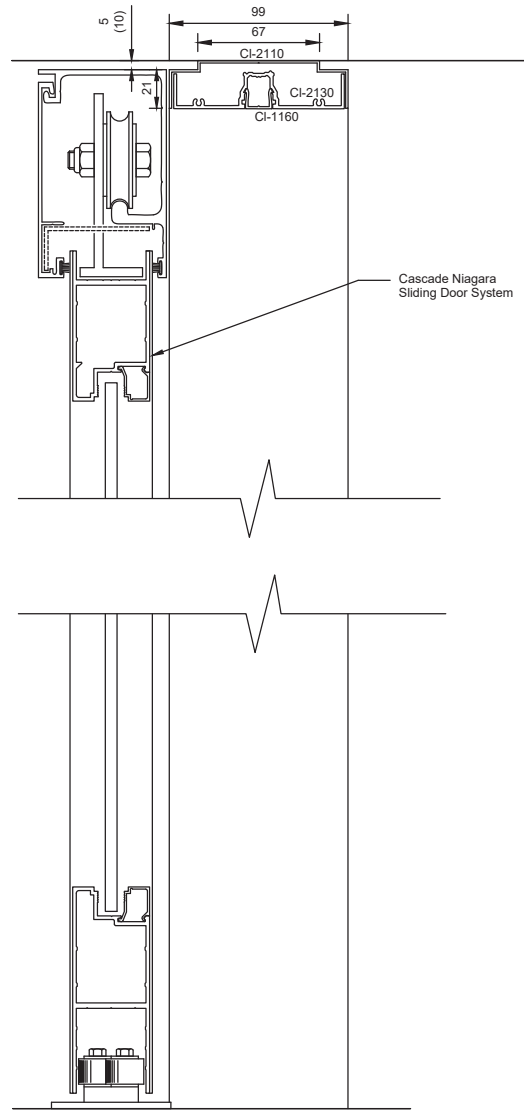
# MULTIGLAZE 90

ELEVATION VIEW

Multiglaze 90  
Full Height Door



Multiglaze 90  
Full Height Sliding Door





## **VIC**

23 Scanlon Drive  
Epping, VIC, 3076  
T: 03 9355 0700

**[sales@criterionindustries.com.au](mailto:sales@criterionindustries.com.au)**

## **NSW**

95 Victoria Street  
Smithfield, NSW, 2164  
T: 02 9355 0700

294-298 Norton Street,  
Leichhardt, NSW, 2040  
T: 02 9568 2988

**[sales.nsw@criterionindustries.com.au](mailto:sales.nsw@criterionindustries.com.au)**

## **WA**

58 Tacoma Circuit  
Canning Vale WA 6155  
T: 08 9355 0700

**[sales.wa@criterionindustries.com.au](mailto:sales.wa@criterionindustries.com.au)**

## **QLD**

22 Holt Street  
Eagle Farm QLD 4009  
T: 07 3193 8990

**[sales.qld@criterionindustries.com.au](mailto:sales.qld@criterionindustries.com.au)**

**[www.criterionindustries.com.au](http://www.criterionindustries.com.au)**