



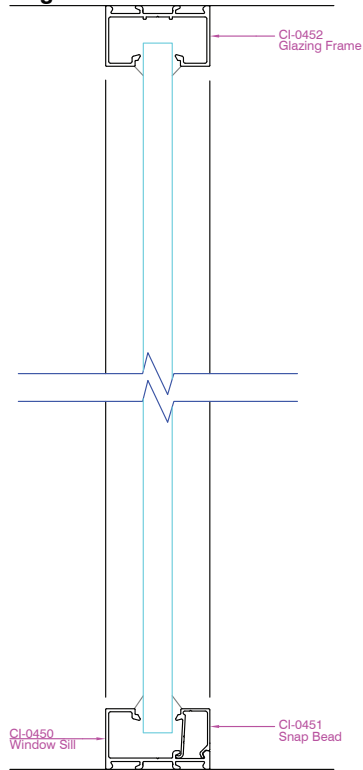
# Gallium 45

Plan and Elevation Views

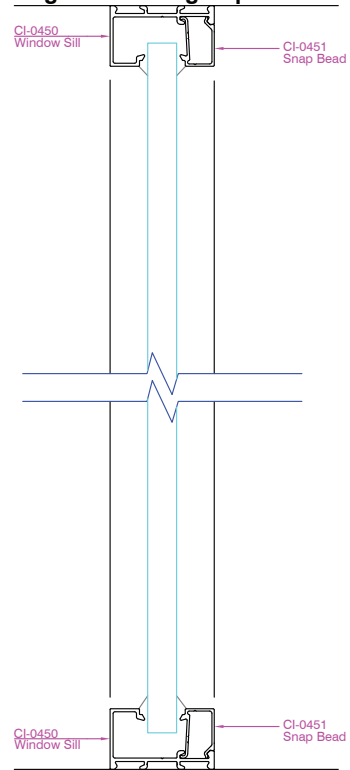
# GALLIUM 45 - WALLS AND WINDOWS

## ELEVATION VIEW

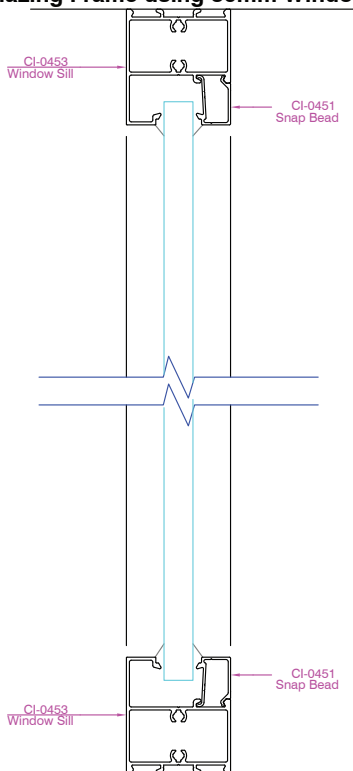
**Gallium 45  
Glazing Frame**



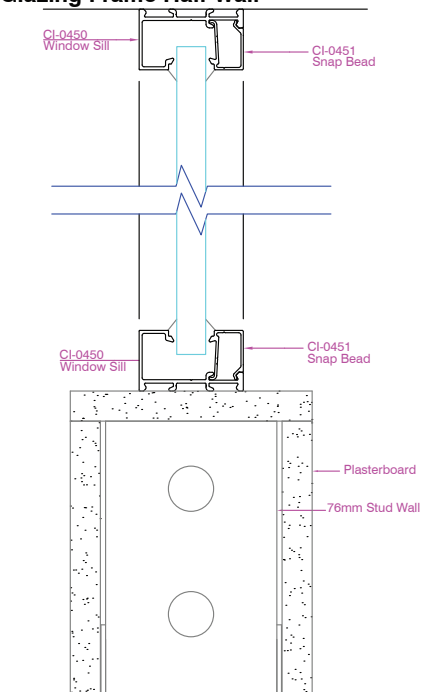
**Gallium 45  
Glazing Frame using Clip Bead**



**Gallium 45  
Glazing Frame using 50mm Window Sill**



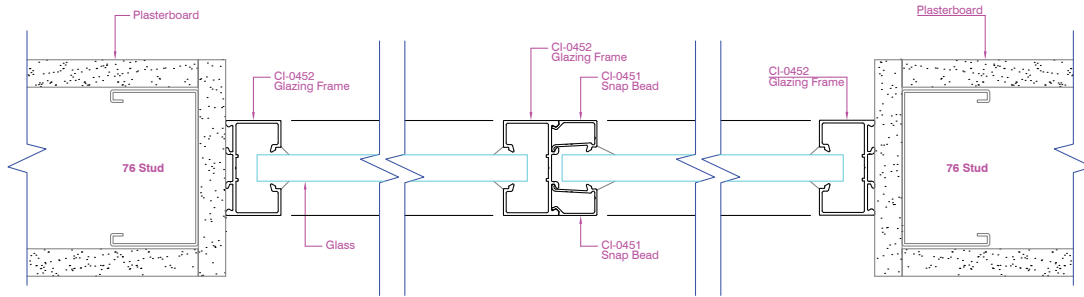
**Gallium 45  
Glazing Frame Half Wall**



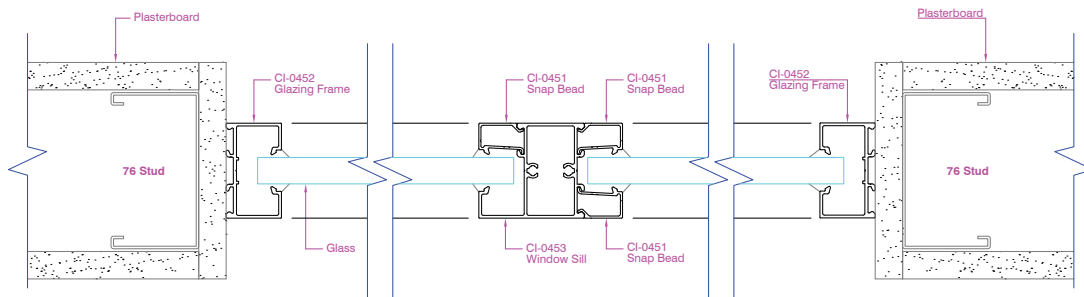
# GALLIUM 45 - WALLS AND WINDOWS

## PLAN VIEW

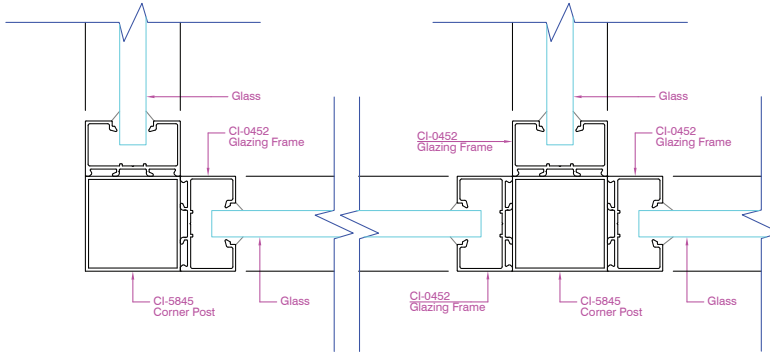
### Gallium 45 Glazing Frame



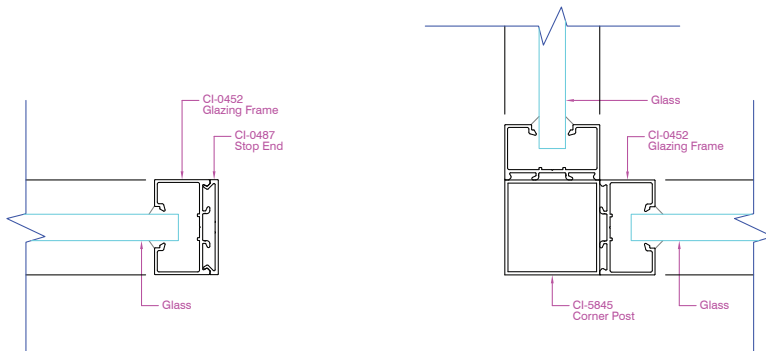
### Gallium 45 Glazing Frame using 50mm Window Sill



### Gallium 45 Corner Post



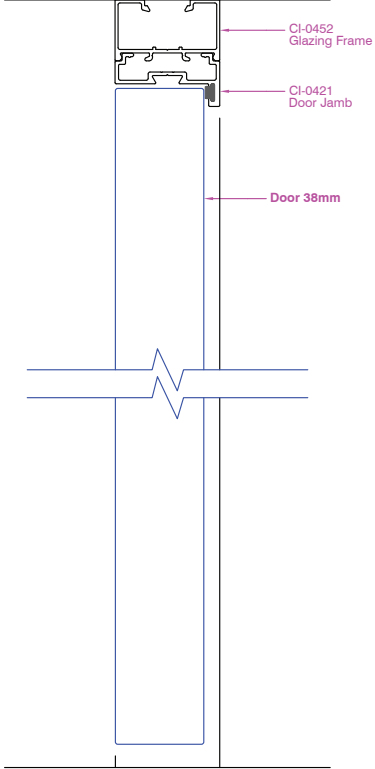
### Gallium 45 Stop End



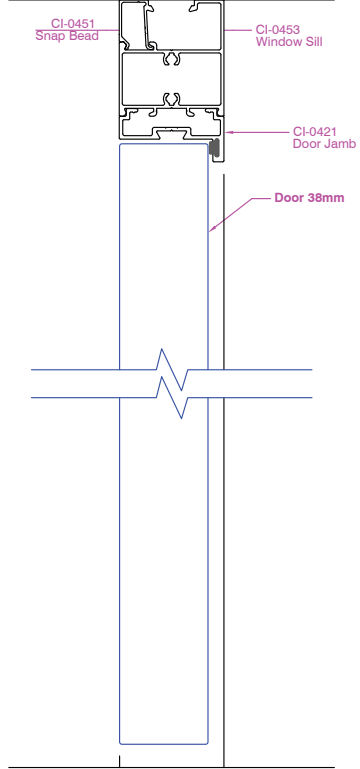
# GALLIUM 45 - DOORS

## ELEVATION VIEW

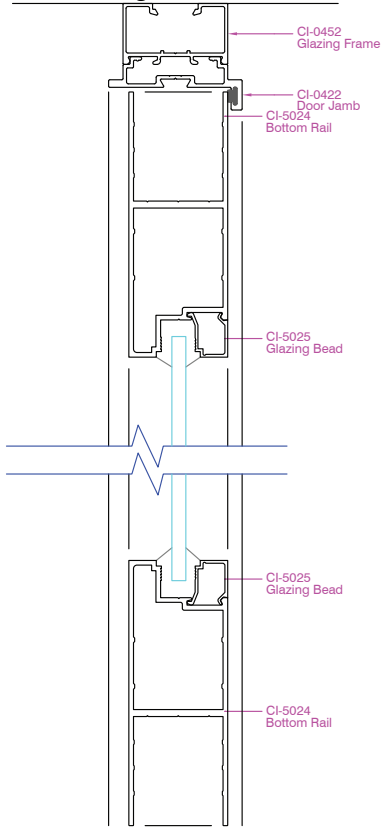
**Gallium 45  
Timber Hinge Door**



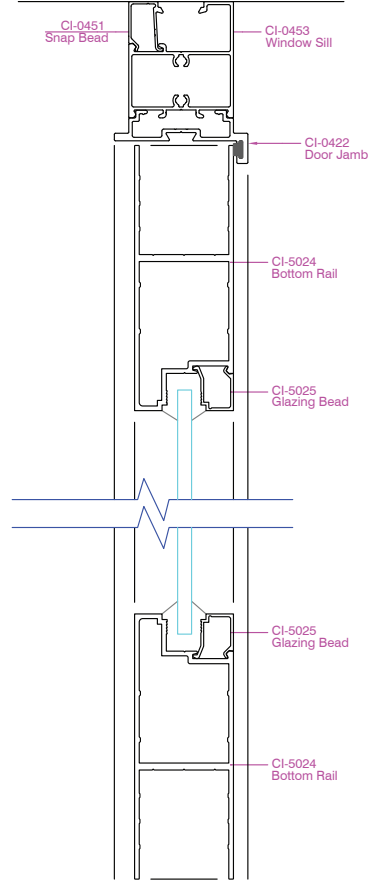
**Gallium 45  
Timber Hinge Door with 50mm Sill**



**Gallium 45  
Aluminium Hinge Door with Frame**



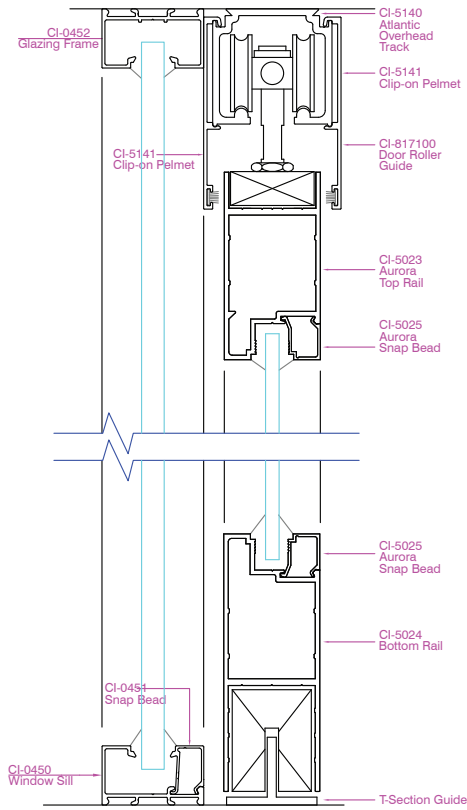
**Gallium 45  
Aluminium Hinge Door with 50mm Sill**



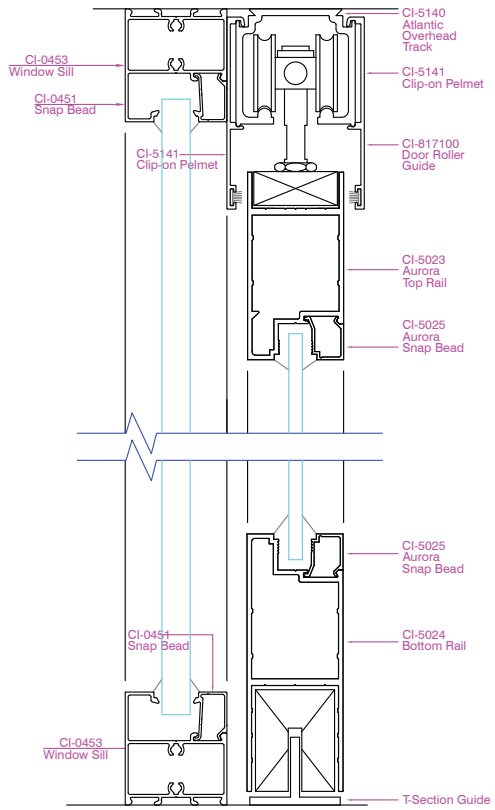
# GALLIUM 45 - DOORS

## ELEVATION VIEW

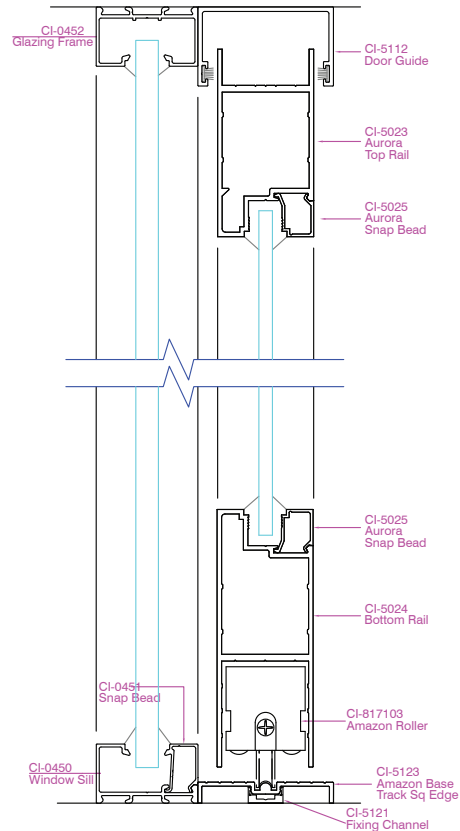
**Gallium 45  
Glazing Frame with Sliding Door**



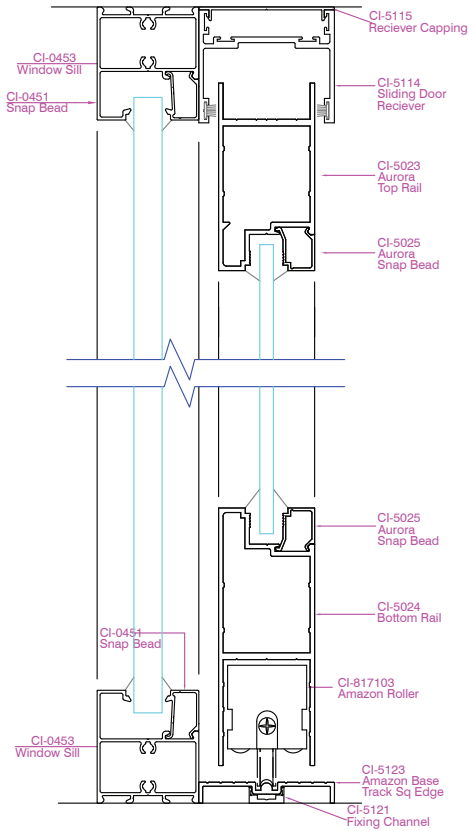
**Gallium 45  
Glazing 50mm Frame with Sliding Door**



**Gallium 45  
Glazing Frame with Sliding Door  
Bottom Track**



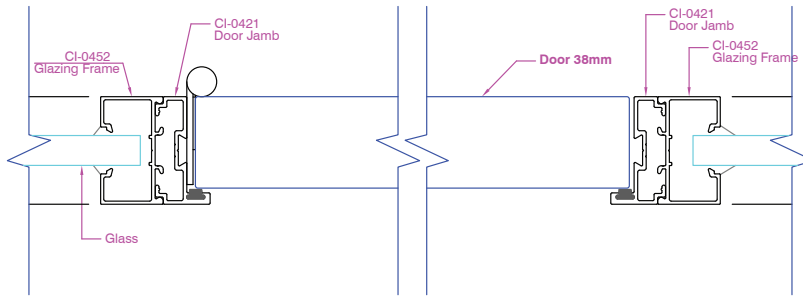
**Gallium 45  
Glazing 50mm Frame with Sliding Door  
Bottom Track**



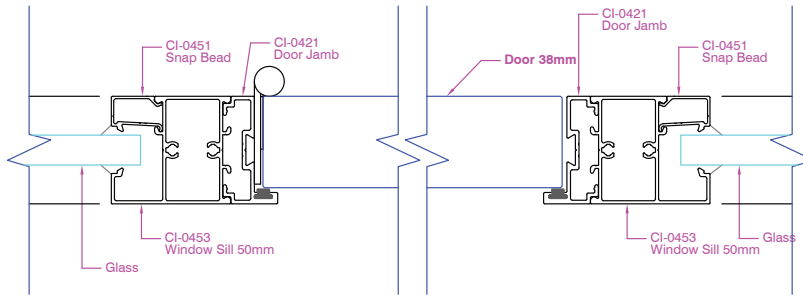
# GALLIUM 45 - DOORS

## PLAN VIEW

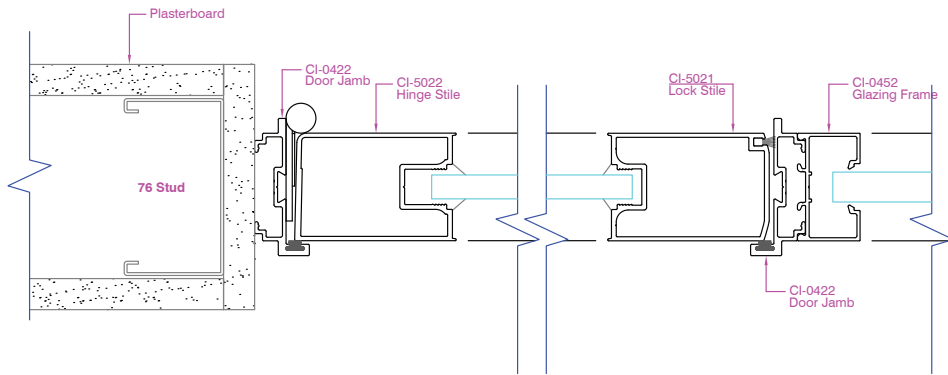
**Gallium 45  
Timber Hinge Door**



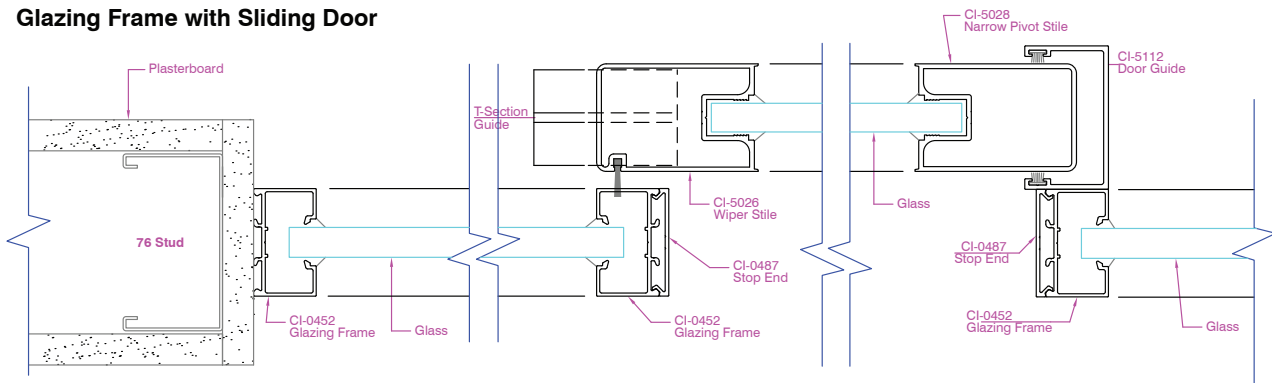
**Gallium 45  
Timber Hinge Door with 50mm Sill**



**Gallium 45  
Aluminium Hinge Door**



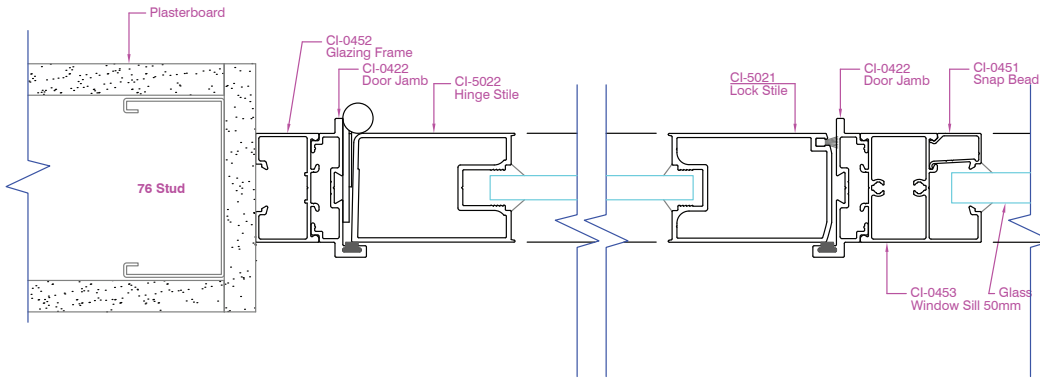
**Gallium 45  
Glazing Frame with Sliding Door**



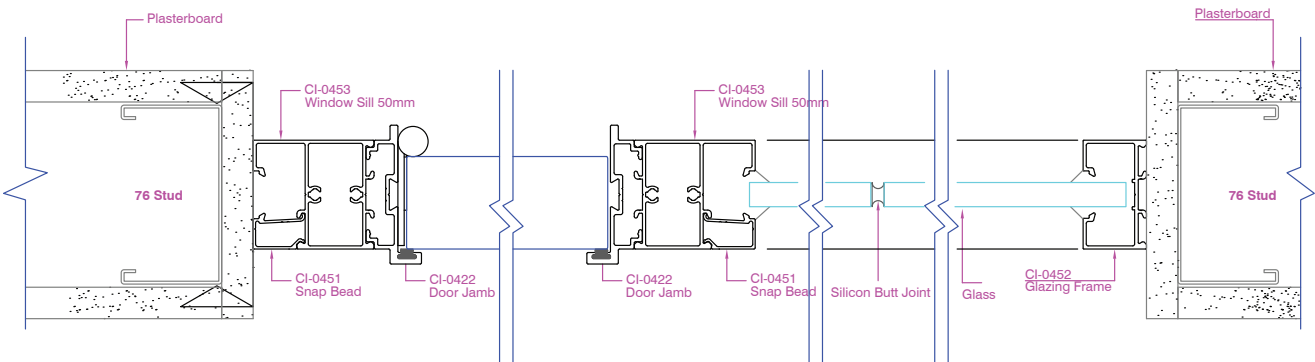
# GALLIUM 45 - DOORS

## PLAN VIEW

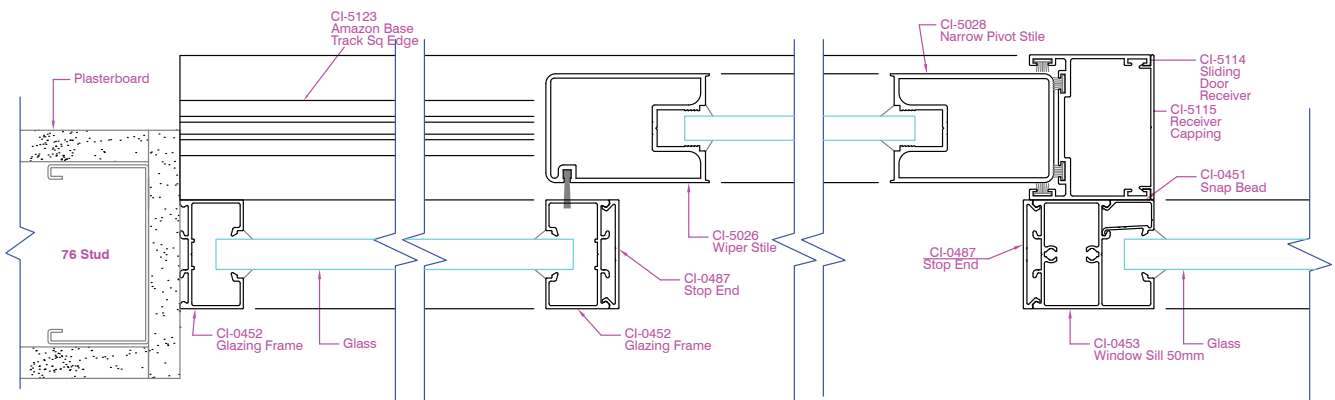
### Gallium 45 Aluminium Hinge Door with 50mm Sill



### Gallium 45 Frameless with 50mm Door Frame



### Gallium 45 Glazing Frame with Sliding Door Bottom Track





## **VIC**

23 Scanlon Drive  
Epping, VIC, 3076  
T: 03 9355 0700

**[sales@criterionindustries.com.au](mailto:sales@criterionindustries.com.au)**

## **NSW**

95 Victoria Street  
Smithfield, NSW, 2164  
T: 02 9355 0700

294-298 Norton Street,  
Leichhardt, NSW, 2040  
T: 02 9568 2988

**[sales.nsw@criterionindustries.com.au](mailto:sales.nsw@criterionindustries.com.au)**

## **WA**

58 Tacoma Circuit  
Canning Vale WA 6155  
T: 08 9355 0700

**[sales.wa@criterionindustries.com.au](mailto:sales.wa@criterionindustries.com.au)**

## **QLD**

22 Holt Street  
Eagle Farm QLD 4009  
T: 07 3193 8990

**[sales.qld@criterionindustries.com.au](mailto:sales.qld@criterionindustries.com.au)**

**[www.criterionindustries.com.au](http://www.criterionindustries.com.au)**