



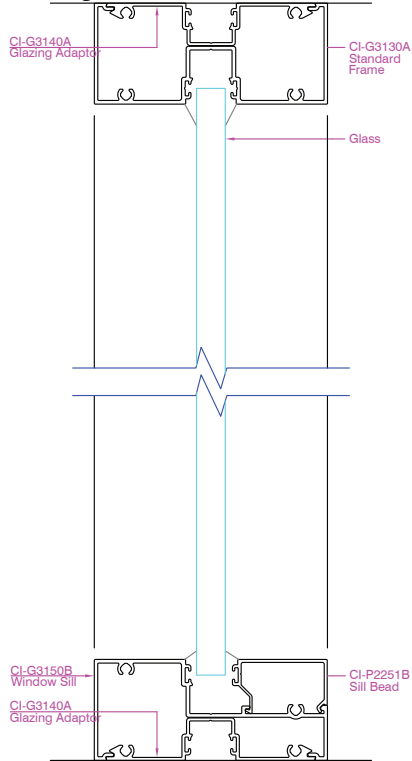
Gallium 100

Plan and Elevation Views

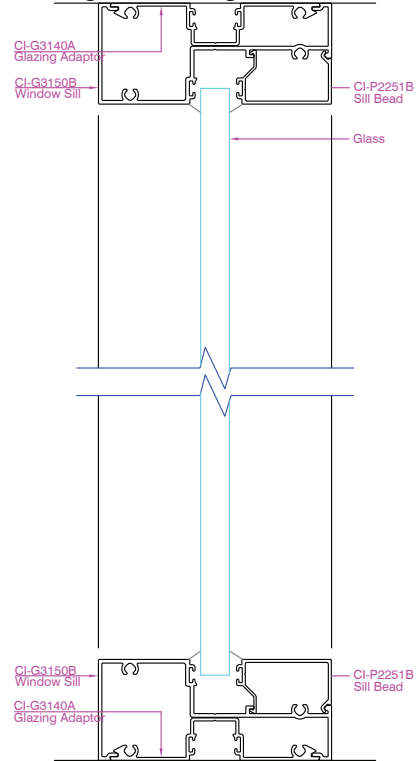
GALLIUM 100 - WALLS AND WINDOWS

ELEVATION VIEW

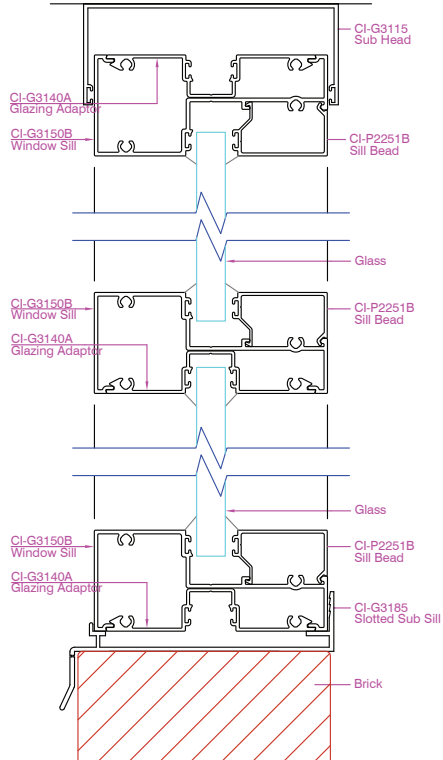
**Gallium 100
Glazing Frame**



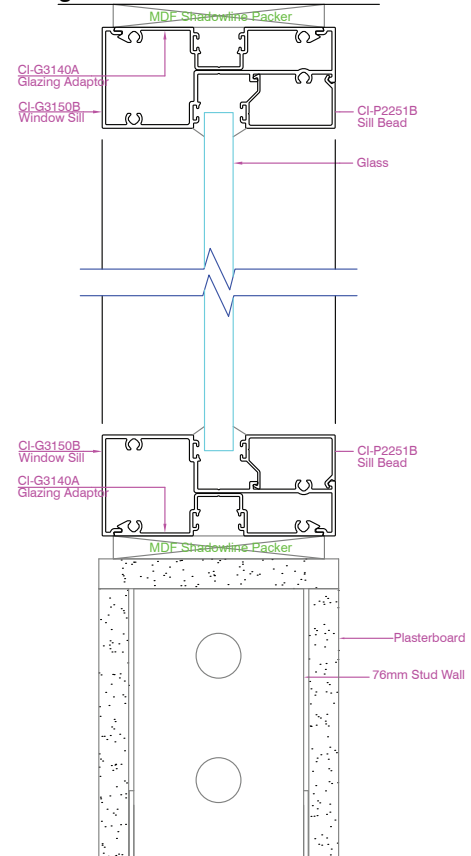
**Gallium 100
Glazing Frame using Sill Bead**



**Gallium 100
Slotted Sub Sill**



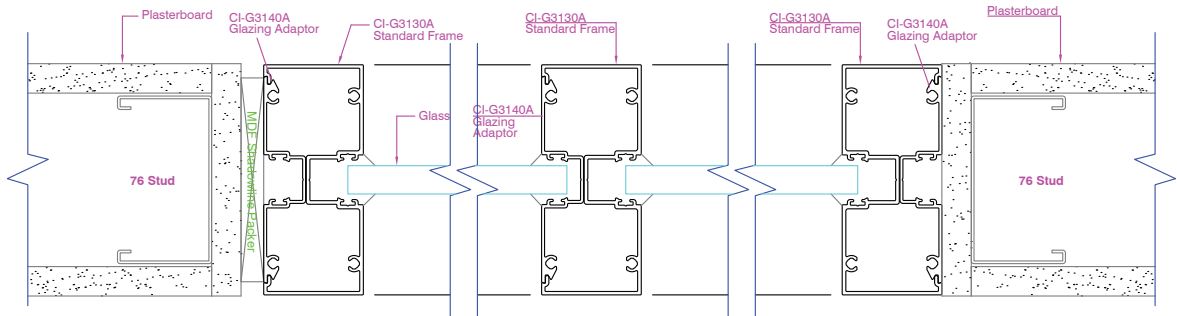
**Gallium 100
Single Glaze Half Wall**



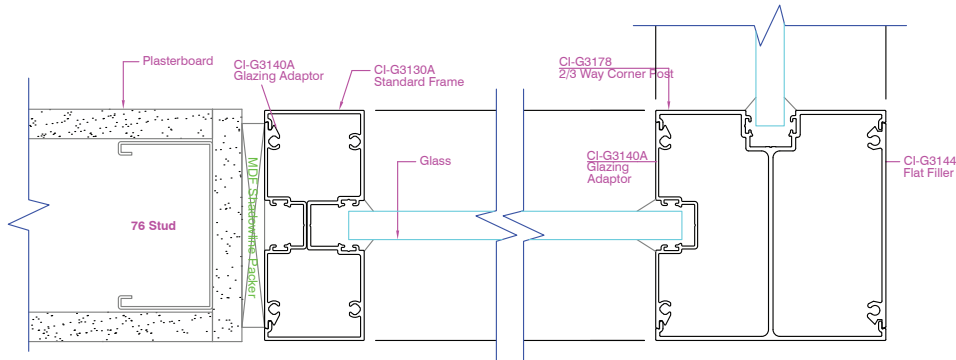
GALLIUM 100 - WALLS AND WINDOWS

PLAN VIEW

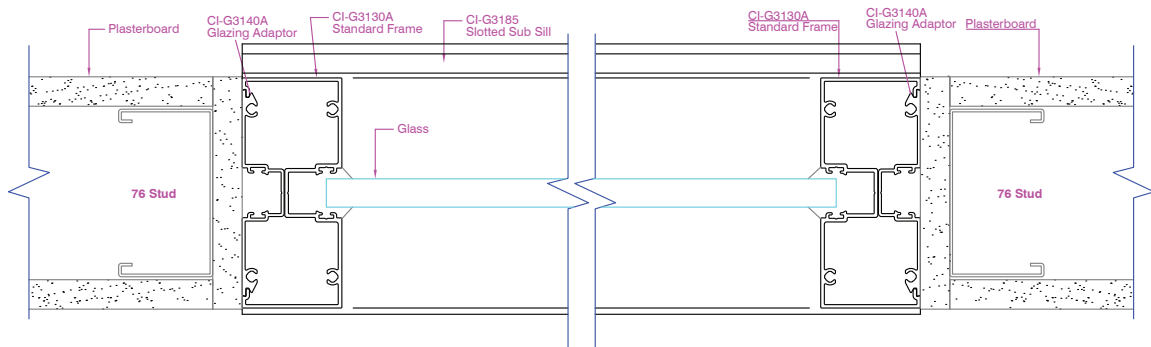
Gallium 100 Single Glaze Standard Frame



Gallium 100 Corner Post



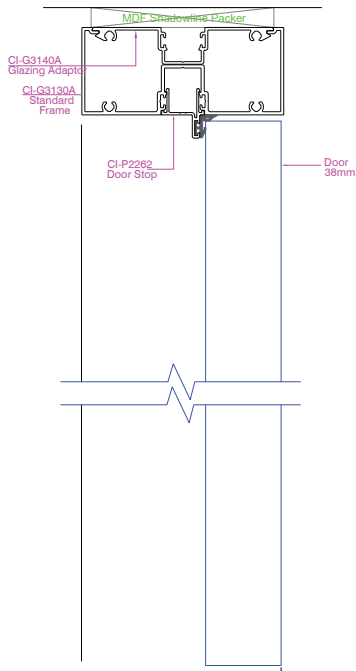
Gallium 100 Slotted Sub Sill



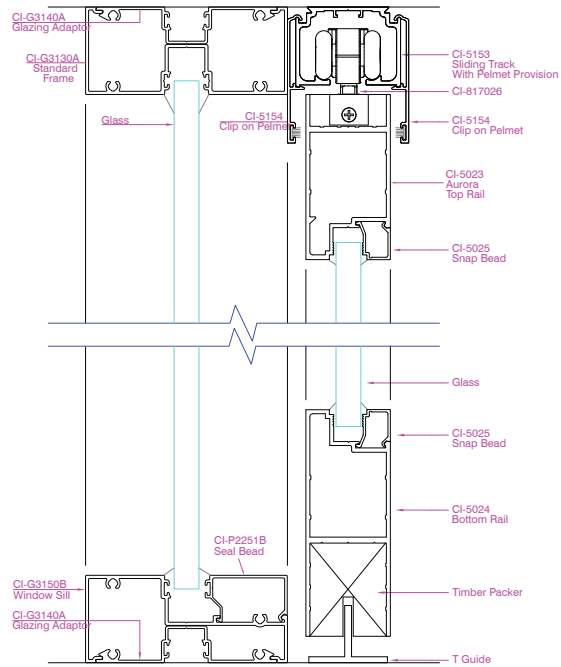
GALLIUM 100 - DOORS

ELEVATION VIEW

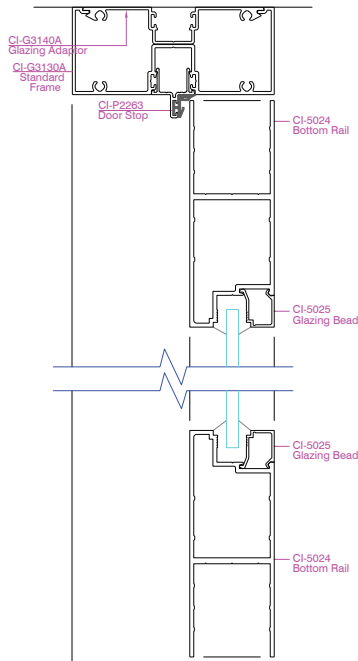
**Gallium 100
Timber Hinge Door**



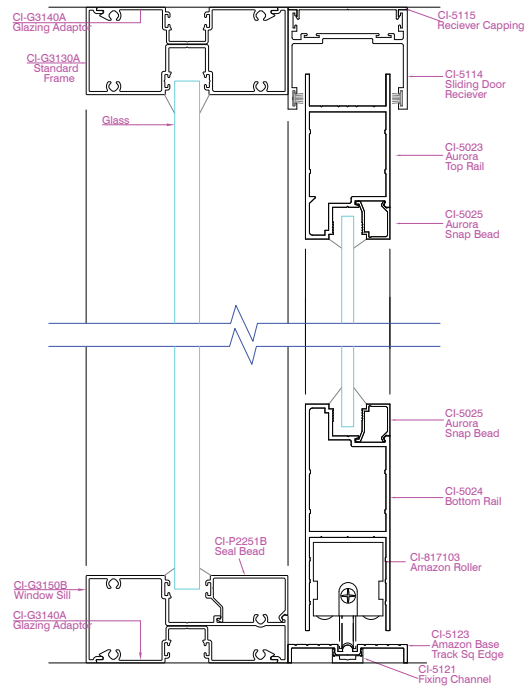
**Gallium 100
Single Glaze with Sliding Door**



**Gallium 100
Aluminium Hinge Door**



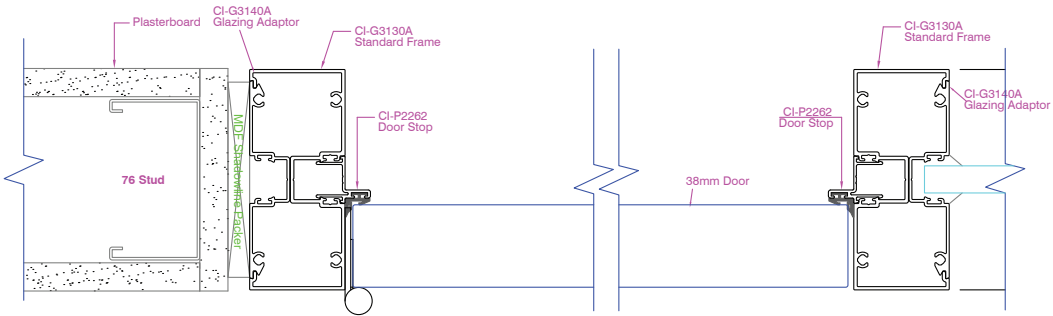
**Gallium 100
Single Glaze with Sliding Door Bottom Track**



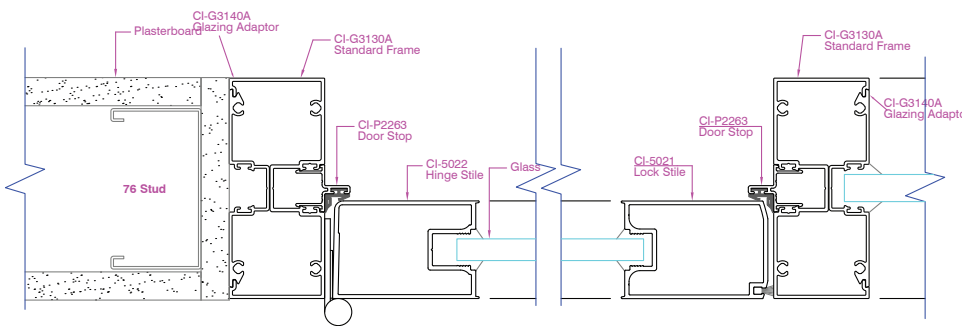
GALLIUM 100 - DOORS

PLAN VIEW

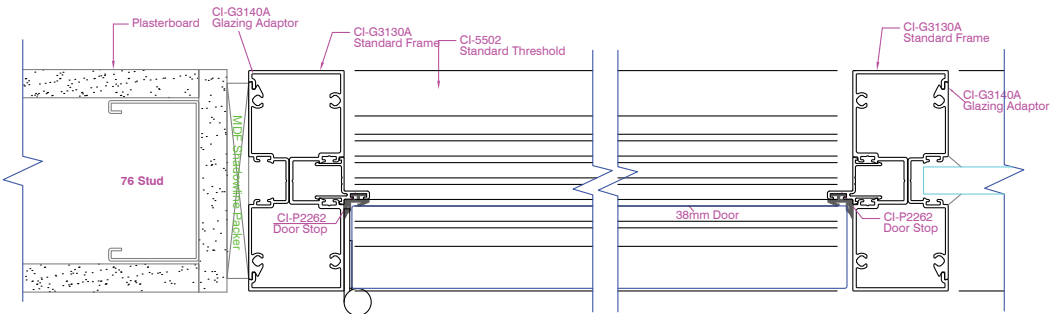
Gallium 100 Timber Hinge Door



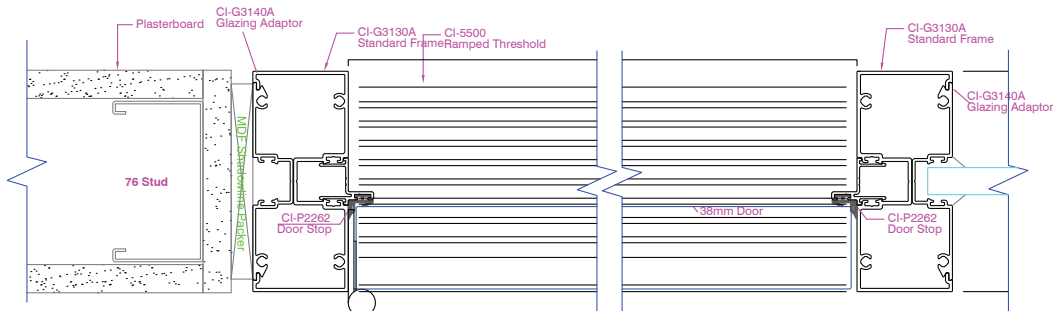
Gallium 100 Aluminium Hinge Door



Gallium 100 Standard Threshold



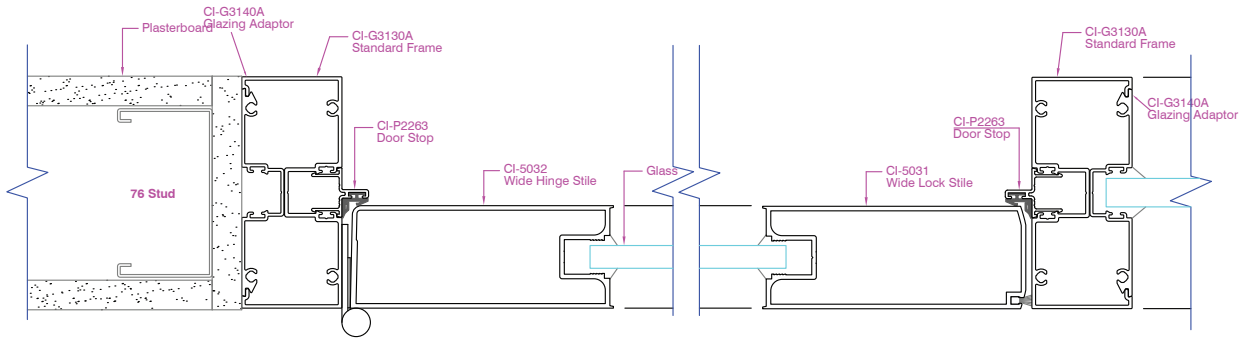
Gallium 100 Ramped Threshold



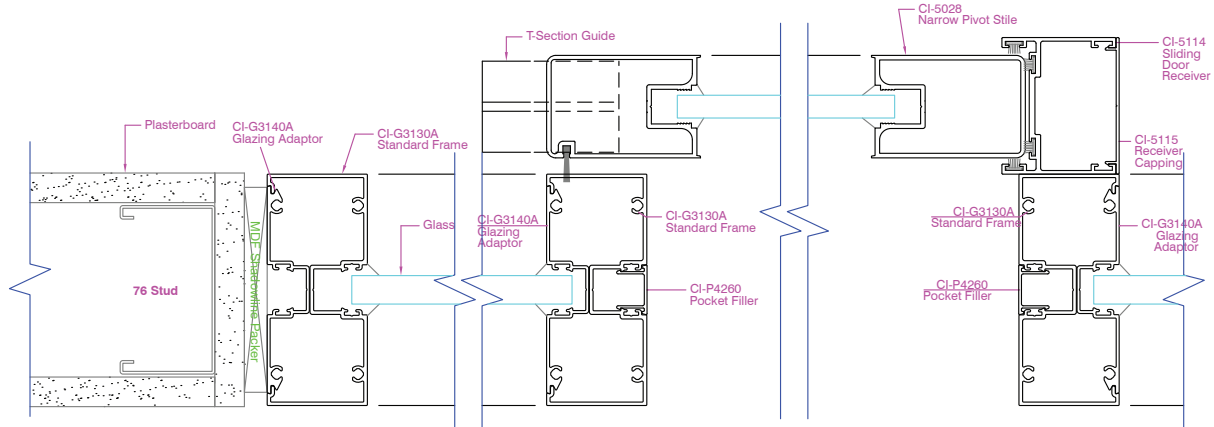
GALLIUM 100 - DOORS

PLAN VIEW

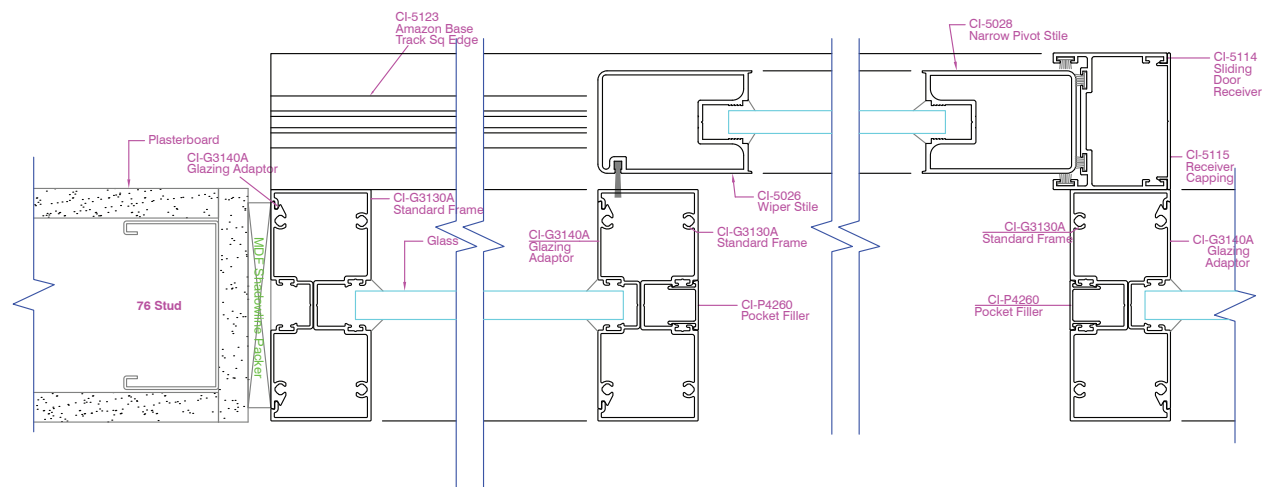
Gallium 100 Aluminium Wide Hinge Door



Gallium 100 Single Glaze with Sliding Door



Gallium 100 Single Glaze with Sliding Door Bottom Track





VIC

23 Scanlon Drive
Epping, VIC, 3076
T: 03 9355 0700

sales@criterionindustries.com.au

NSW

95 Victoria Street
Smithfield, NSW, 2164
T: 02 9355 0700

294-298 Norton Street,
Leichhardt, NSW, 2040
T: 02 9568 2988

sales.nsw@criterionindustries.com.au

WA

58 Tacoma Circuit
Canning Vale WA 6155
T: 08 9355 0700

sales.wa@criterionindustries.com.au

QLD

22 Holt Street
Eagle Farm QLD 4009
T: 07 3193 8990

sales.qld@criterionindustries.com.au

www.criterionindustries.com.au