

Opti-Lite & Vent

A vision of
safety.

www.criterionindustries.com.au





Opti-Lites®

Engineered with a durable metal secure fixing clip, the Opti-Lite® Door Vision Panel is easy-to-install and provides a cost-effective alternative to replacing existing doors on-site. The Opti-Lite® Door Vision Panel also features a pre-glazing design concept that saves installation time and eliminates the tedious process involved with traditional glazing.

Safety is a key priority in the design and completion of any commercial space. Certified to comply with the standard AS1288, the Criterion Opti-Lite® Door Vision Panel allows for full visual sighting, promotes added natural light in the workplace and creates a safer environment for staff overall.

Available in a variety of sizes and shapes, the Opti-Lite® Door Vision Panel can be installed in both internal and external applications to suit a variety of commercial environments. A simple installation process and considered design makes the Opti-Lite® Door Vision Panel an ideal solution for commercial projects.

WHY CHOOSE OPTI-LITE® DOOR VISION PANEL?

- + Glazed in 6.38mm clear safety laminate for extra security and durability
- + Suits a wide range of door thicknesses, from 32mm to 48mm
- + Stocked in Clear Anodise finish
- + Available in a range of powder coat options
- + Can be manufactured to suit specific customised requirements including size, colour and class type

AVAILABLE STOCK SIZES (MM):

- + 200 x 300
- + 200 x 600
- + 200 x 900
- + 200 x 1700
- + 600 x 300
- + 600 x 600
- + 600 x 900

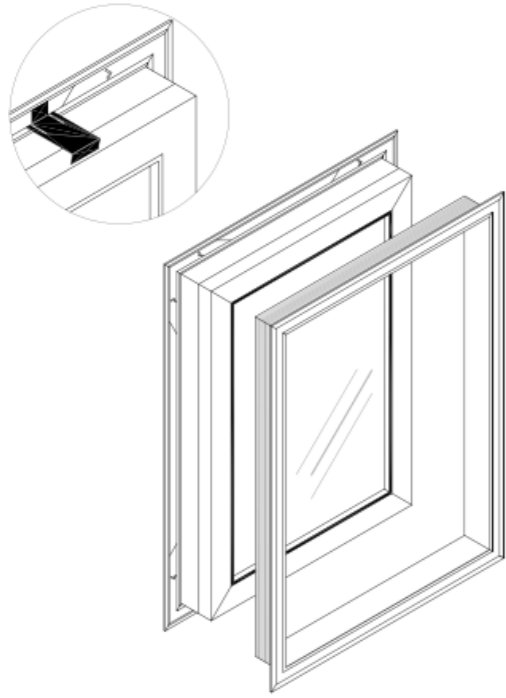


OPTI-LITE® - DET FRANKSTON, MELBOURNE
© GALLANT LEE PHOTOGRAPHY

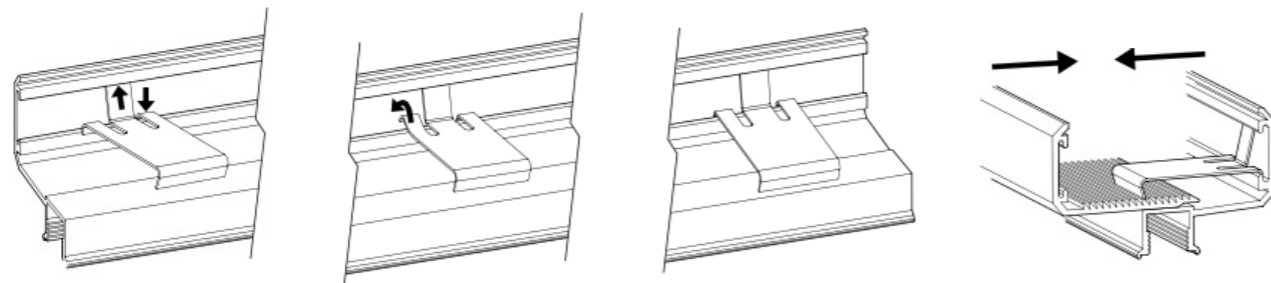


Installation Method

Opti-Lite® Door Vision Panel



Opti-Lite® Installation Instructions



Step 1.

Insert clip so that middle tab fits into upper groove and one side tab fits into lower groove.

Step 2.

Pry second side tab into lower groove using screw driver.

Step 3.

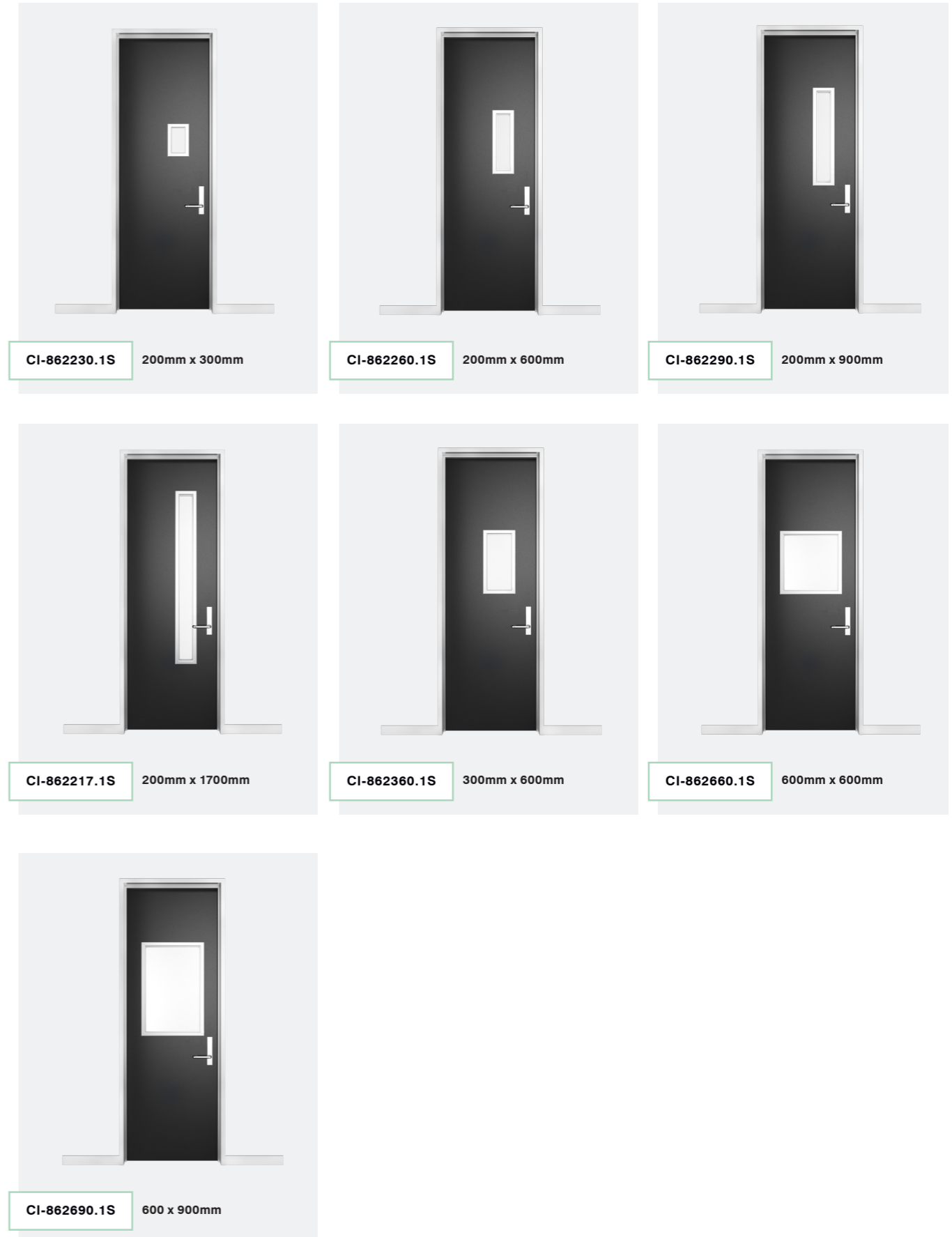
Ensure clip is installed correctly and repeat for all clips provided. Space clips proportionally on all four sides.

Step 4.

Place front frame into opening and press back frame into position from opposite side of the door, ensuring clips catch as shown.

Note

Using Silicon to seal to inside of flange will prevent movement within opening after installation. Removing the Opti-Lite® Door Vision Panel after installation may result in damage to the clips and possibly the frame.



CI-862230.1S 200mm x 300mm

CI-862260.1S 200mm x 600mm

CI-862290.1S 200mm x 900mm

CI-862217.1S 200mm x 1700mm

CI-862360.1S 300mm x 600mm

CI-862660.1S 600mm x 600mm

CI-862690.1S 600 x 900mm

Doors can be purchased separately and are not included in the Opti-Lite® Door Vision Panel package. Dimensions refer to cut out size in door.



Vent Flow®

Vent Flow® air relief grilles are an innovative solution for relieving pressure and circulating air flow between rooms. Available in a variety of sizes and shapes, it can be installed in both internal and external applications.

Vent Flow® air grilles offer equal distribution throughout a building and can increase air flow by up to 56% within a space. Engineered with a durable metal secure fixing clip, Vent Flow® is easy-to-install and provides a cost-effective alternative to replacing existing doors on-site.

Using strong and durable components, Vent Flow® is naturally anti-corrosive and low maintenance. The simple installation process, innovative features and practical benefits makes Vent Flow® an ideal solution for a range of commercial projects.

WHY CHOOSE VENT FLOW® DOOR VISION PANEL?

- + Suits aluminium and timber doors
- + Suits a wide range of door thicknesses from 30mm to 48mm
- + Stocked in Clear Anodise finish
- + Available in a range of powder coat options
- + Can be manufactured to suit specific customised requirements, including size and colour
- + Free airflow of 56% per m² of air

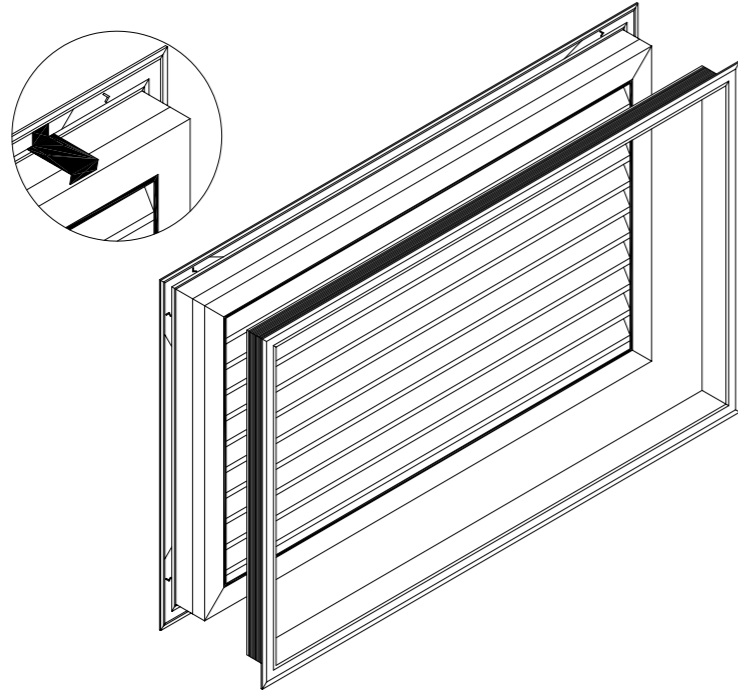
AVAILABLE STOCK SIZES (MM):

- + 300 x 150
- + 600 x 150
- + 600 x 200
- + 600 x 250
- + 600 x 300
- + 600 x 450
- + 600 x 600



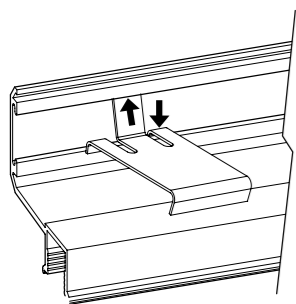


Aluminium Door Vent



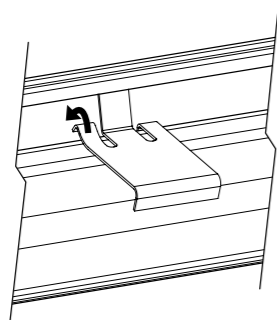
Vent Flow Installation Instructions

Step 1



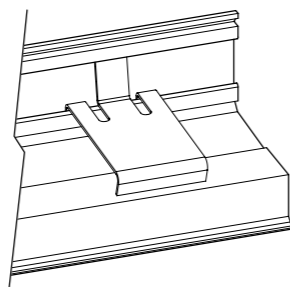
Insert clip so that middle tab fits into upper groove and one side tab fits into lower groove.

Step 2



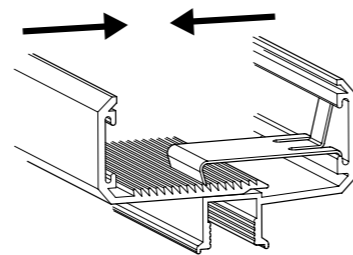
Pry second side tab into lower groove using screw driver.

Step 3



Ensure clip is installed correctly and repeat for all clips provided. Space clips proportionally on all four sides.

Step 4



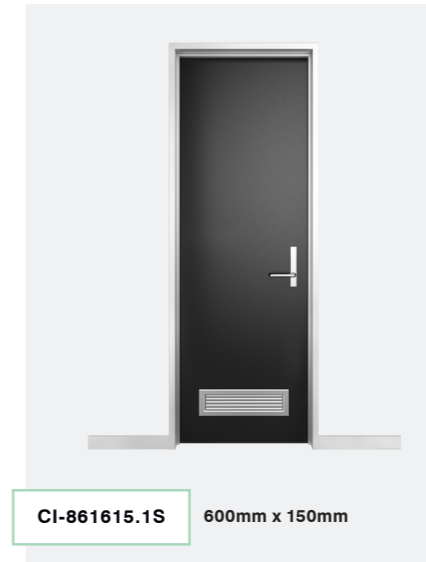
Place front frame into opening and press back frame into position from opposite side of the door, ensuring clips catch as shown.

Note

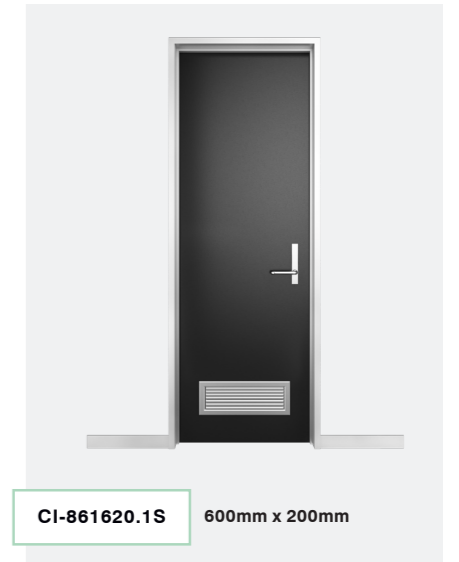
Silicon seal to inside of flange will prevent movement within opening after installation. Removal of Vent after installation may result in damage to the clips and possibly the frame.



CI-861315.1S 300mm x 150mm



CI-861615.1S 600mm x 150mm



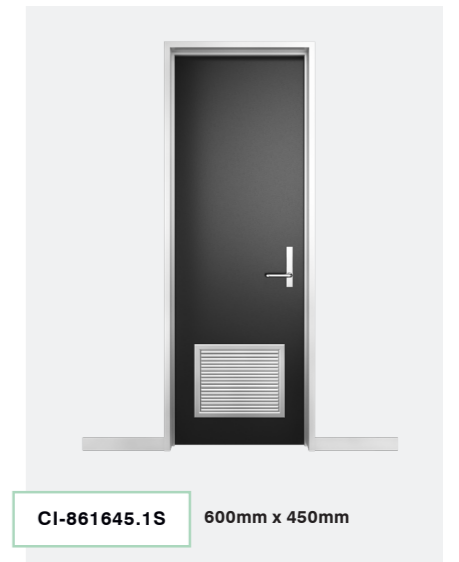
CI-861620.1S 600mm x 200mm



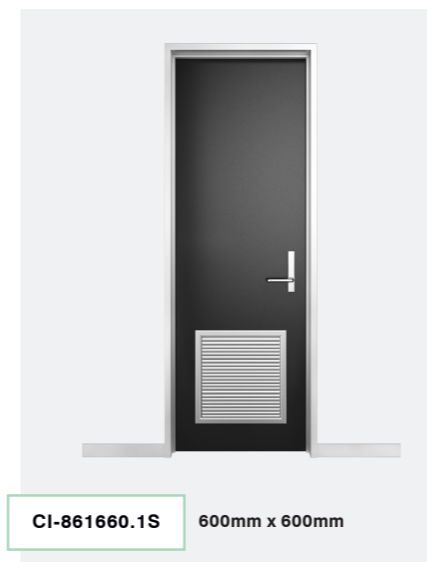
CI-861625.1S 600mm x 250mm



CI-861630.1S 600mm x 300mm

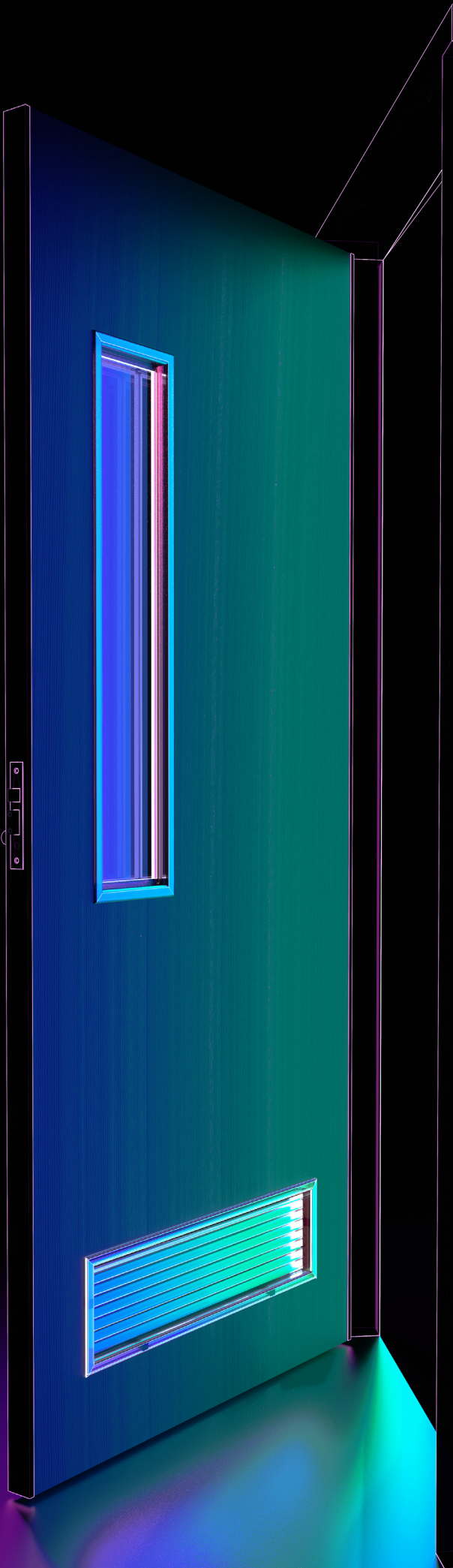


CI-861645.1S 600mm x 450mm



CI-861660.1S 600mm x 600mm

Doors can be purchased separately and are not included in the Vent Flow® package. Dimensions refer to cut out size in door.



A vision of safety.

Looking to discover more?

Contact us to book your free demonstration:

www.criterionindustries.com.au



VIC

23 Scanlon Drive
Epping, VIC, 3076
T: 03 9355 0700

sales@criterionindustries.com.au

NSW

29 Killo Crescent
Glendenning, NSW, 2761
T: 02 9355 0700

sales.nsw@criterionindustries.com.au

WA

58 Tacoma Circuit
Canning Vale WA 6155
T: 08 9355 0700

sales.wa@criterionindustries.com.au

QLD

22 Holt Street
Eagle Farm QLD 4009
T: 07 3193 8990

sales.qld@criterionindustries.com.au