

# **Niagara Sliding System**

**Installation  
Instructions**



## **Choosing the right components for your fit-out:**

- Choose your guide type (5112 or 817100)
- Choose the correct screws for your door type
- Choose the correct coloured end caps to suit

## **Important Considerations**

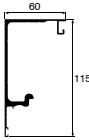
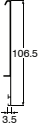
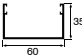
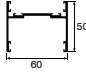
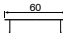
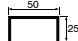
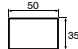
This product is covered by a 10 year replacement product warranty and spare parts. This warranty will apply only under all of the following conditions:

- The item has been installed by a licensed and registered builder/installer.
- The installation of the product is in accordance with the instructions provided
- Failure is due to a fault in the manufacture of the product.
- Proof of purchase (including the date of purchase) is provided.
- This warranty does not include faults caused by: Unsuitable or improper use.
- Incorrect installation or installation not in accordance with the instructions provided.
- Installation or part installation by the purchaser or any person other than a licensed and registered builder/installer.
- Normal wear and tear.

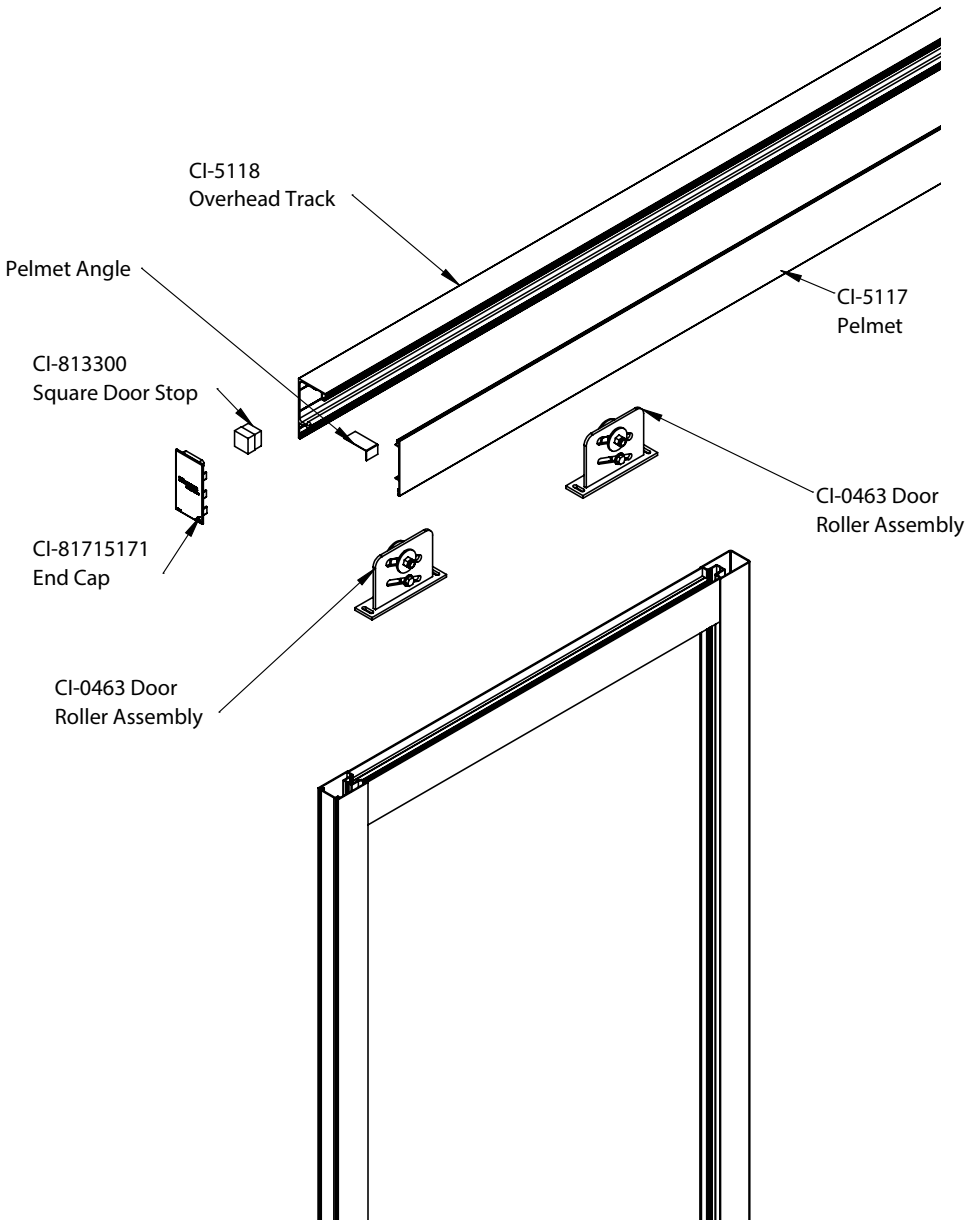
**For more information visit:**

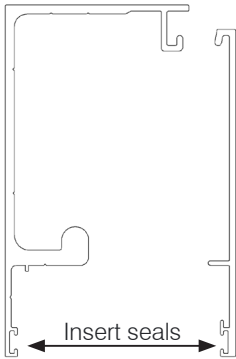
<https://www.criterionindustries.com.au/products/niagara-sliding-track>

# Niagara Sliding System

| SECTION IMAGE   | DESCRIPTION                   |
|---|-------------------------------|
|  A cross-sectional diagram of an overhead track. It is a U-shaped profile with a width of 60 units and a height of 115 units. The top edge is slightly curved. There is a small notch on the right side of the top edge. | CI-5118 Overhead Track        |
|  A cross-sectional diagram of a pelmet. It is a vertical rectangular profile with a height of 106.5 units and a width of 3.5 units. It has a small notch at the bottom center.   | CI-5119 Pelmet                |
|  A cross-sectional diagram of a door guide. It is a U-shaped profile with a width of 60 units and a height of 35 units. The top edge is slightly curved.   | CI-5112 Door Guide            |
|  A cross-sectional diagram of a sliding door receiver. It is a U-shaped profile with a width of 60 units and a height of 50 units. The top edge is slightly curved.  | CI-5114 Sliding Door Receiver |
|  A cross-sectional diagram of a receiver capping. It is a simple rectangular profile with a width of 60 units and a height of 10 units.  | CI-5115 Receiver Capping      |
|  A cross-sectional diagram of a receiver capping. It is a simple rectangular profile with a width of 50 units and a height of 25 units.  | CI-5653 Receiver Capping      |
|  A cross-sectional diagram of a striker stile. It is a simple rectangular profile with a width of 50 units and a height of 35 units.   | CI-5113 Striker Stile         |

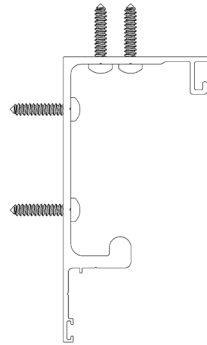
# Niagara Sliding Track





### Step 1.

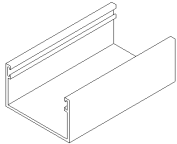
Fit seal into Overhead Track and Pelmet.



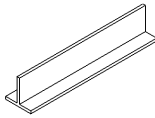
### Step 2.

Fix Overhead Track into position at height required. If installing over a glass front, track must get at least three points of fixing.

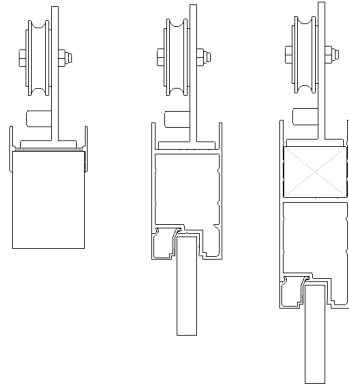
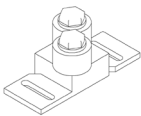
CI-5112



T-Guide



CI-0464

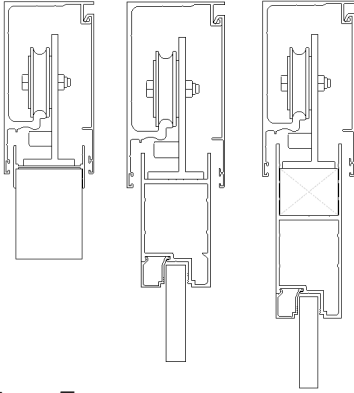


### Step 3.

Install guide to base at the edge of the opening, ensuring that the door will hang parallel to wall.

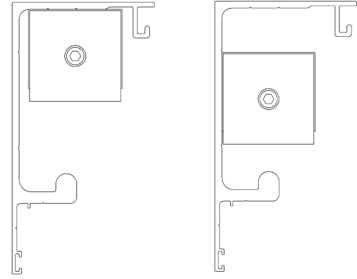
### Step 4.

Fit CI-81 7000 Door Roller Assembly to top of door, ensuring that the door will hang parallel to wall. If using CI-5024 Bottom Rail position a timber packer as shown in the diagram.



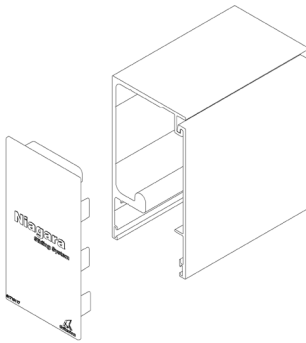
### Step 5.

Locate door onto Overhead Track. Position the CI-0463 Roller Assembly to the desired height by adjusting the wheel nut, bring the Anti-Jump Off Wheel underneath of the track.



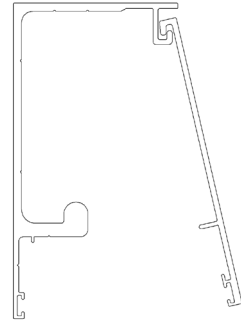
### Step 6.

Install CI-813300 Square Door Stops into position by fixing through the side (diagram 1) or top of the track (diagram 2)



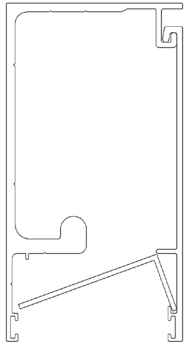
### Step 7.

Fit CI-817151 End Caps into place.



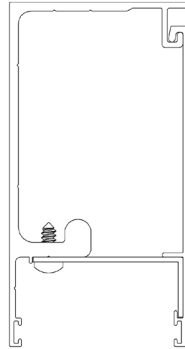
### Step 8.

Hang the CI-5117 Pelmet into position, pull the Pelmet back against the End Cap.



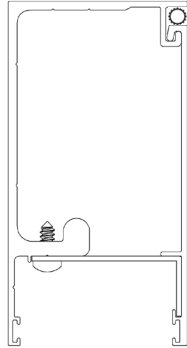
### **Step 9.**

Insert the Pelmet Angles.



### **Step 10.**

Fix the Pelmet Angle to the Track leg.



### **Step 11.**

Fit the Spline into the slot above the Pelmet.



**VIC**

23 Scanlon Drive  
Epping, VIC, 3076  
T: 03 9355 0700

[sales@criterionindustries.com.au](mailto:sales@criterionindustries.com.au)

**NSW**

95 Victoria Street  
Smithfield, NSW, 2164  
T: 02 9355 0700

[sales.nsw@criterionindustries.com.au](mailto:sales.nsw@criterionindustries.com.au)

**WA**

58 Tacoma Circuit  
Canning Vale WA 6155  
T: 08 9355 0700

[sales.wa@criterionindustries.com.au](mailto:sales.wa@criterionindustries.com.au)

**QLD**

22 Holt Street  
Eagle Farm QLD 4009  
T: 07 3193 8990

[sales.qld@criterionindustries.com.au](mailto:sales.qld@criterionindustries.com.au)