

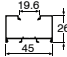
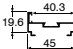
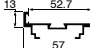
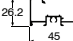
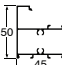
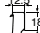
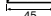
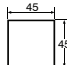

Gallium Suites

**Installation
Instructions**

Contents

SECTION	PAGE
Section Profiles	
Gallium 25	4
Gallium 45	5
Gallium 100	
Installation Instructions	
Gallium 25 - Window Frame	7
Gallium 45 - Window Frame	8
Gallium 45 - Door Frame	9
Gallium 100 - Window Frame	10
Gallium 100 - Door Frame	11

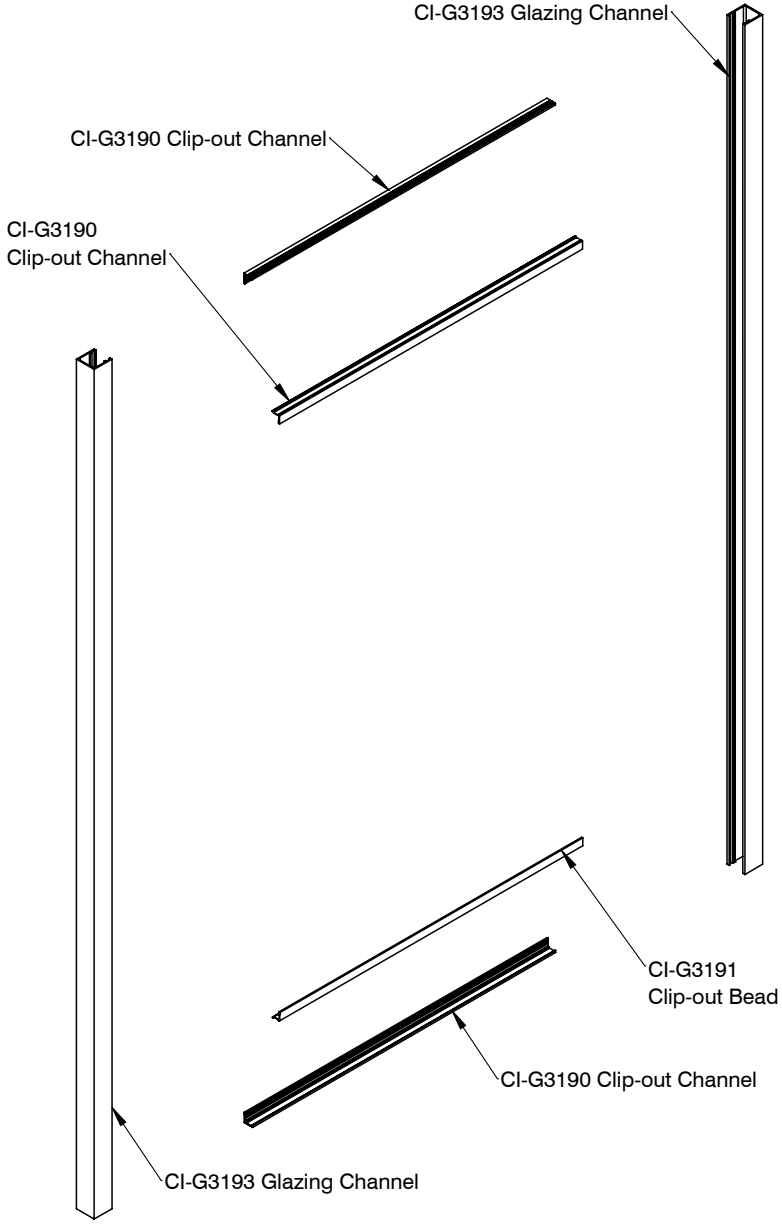
SECTION IMAGE	DESCRIPTION
	CI-G3190 Clip-out Channel
	CI-G3191 Clip-out Bead
	CI-G3193 Glazing Channel

SECTION IMAGE	DESCRIPTION
	CI-0450 Glazing Frame
	CI-0421 Door Jamb 35mm
	CI-0422 Door Jamb 45mm
	CI-0450 Window Sill
	CI-0453 50mm Window Sill
	CI-0451 Snap Bead
	CI-0487 Stop End
	CI-5845 Corner Post
	CI-5824 Box Section

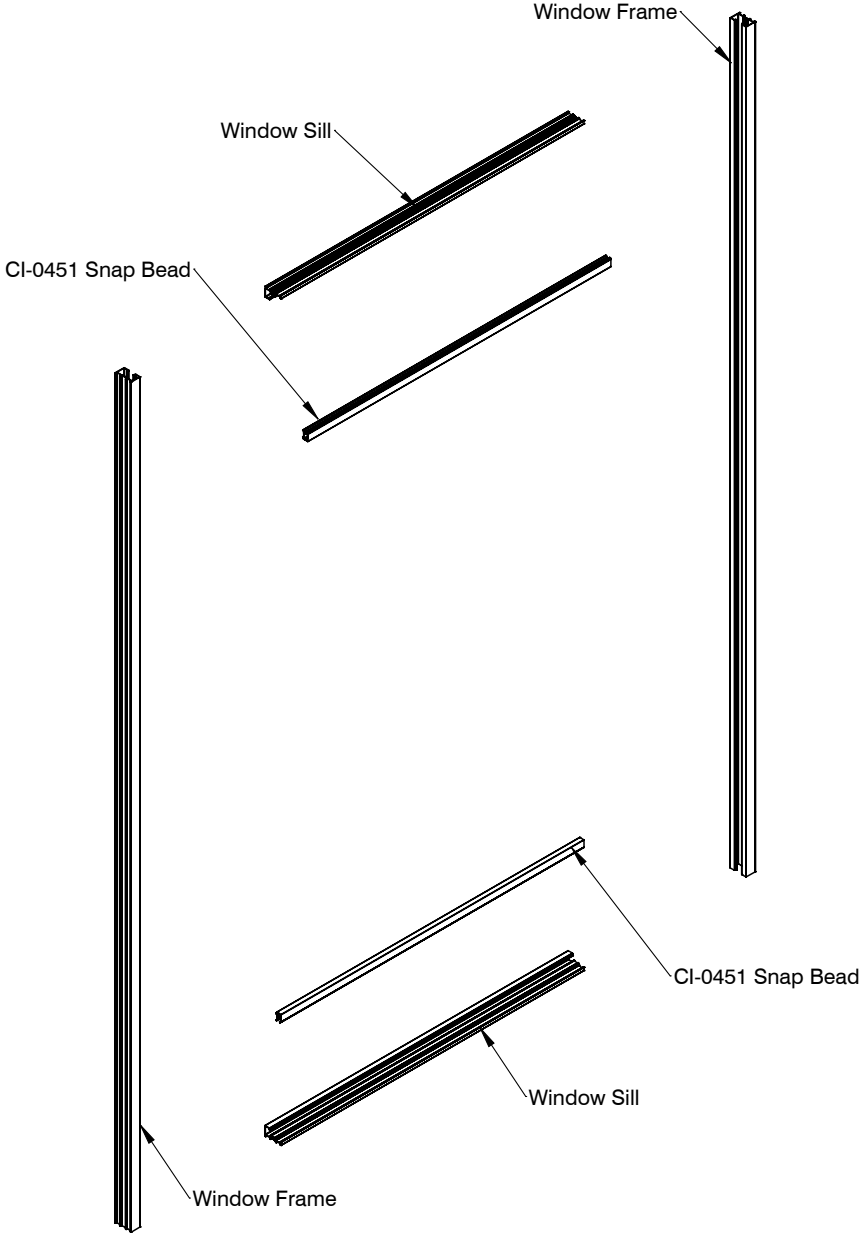
SECTION IMAGE	DESCRIPTION
	CI-G3130 Standard Frame
	CI-G3134 Heavy Frame
	CI-G3140 Glazing Adaptor
	CI-G3144 Flat Filler
	CI-G3150 Window Sill
	CI-P2251 Sill Bead
	CI-G3178 2/3 Way COrner Post
	CI-G3115 Sub Head
	CI-G3185 Slotted Sub Sill

SECTION IMAGE	DESCRIPTION
	CI-G3180 Plain Transom
	CI-G3182 Transom Flat Filler
	CI-5502 Standard Threshold
	CI-5500 Ramped Threshold
	CI-P4260 Pocket Filler
	CI-P2261 Door Stop
	CI-P2262 Door Stop
	CI-P2263 Door Stop

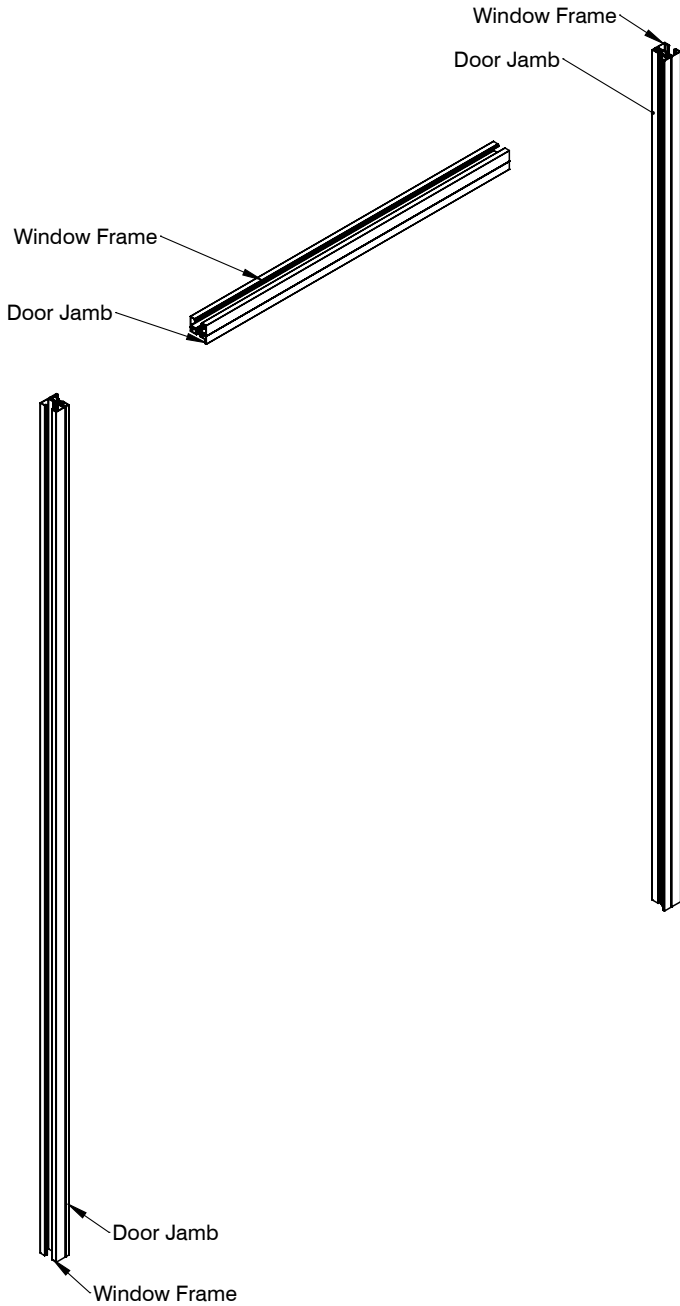
Gallium 25 - Window Frame



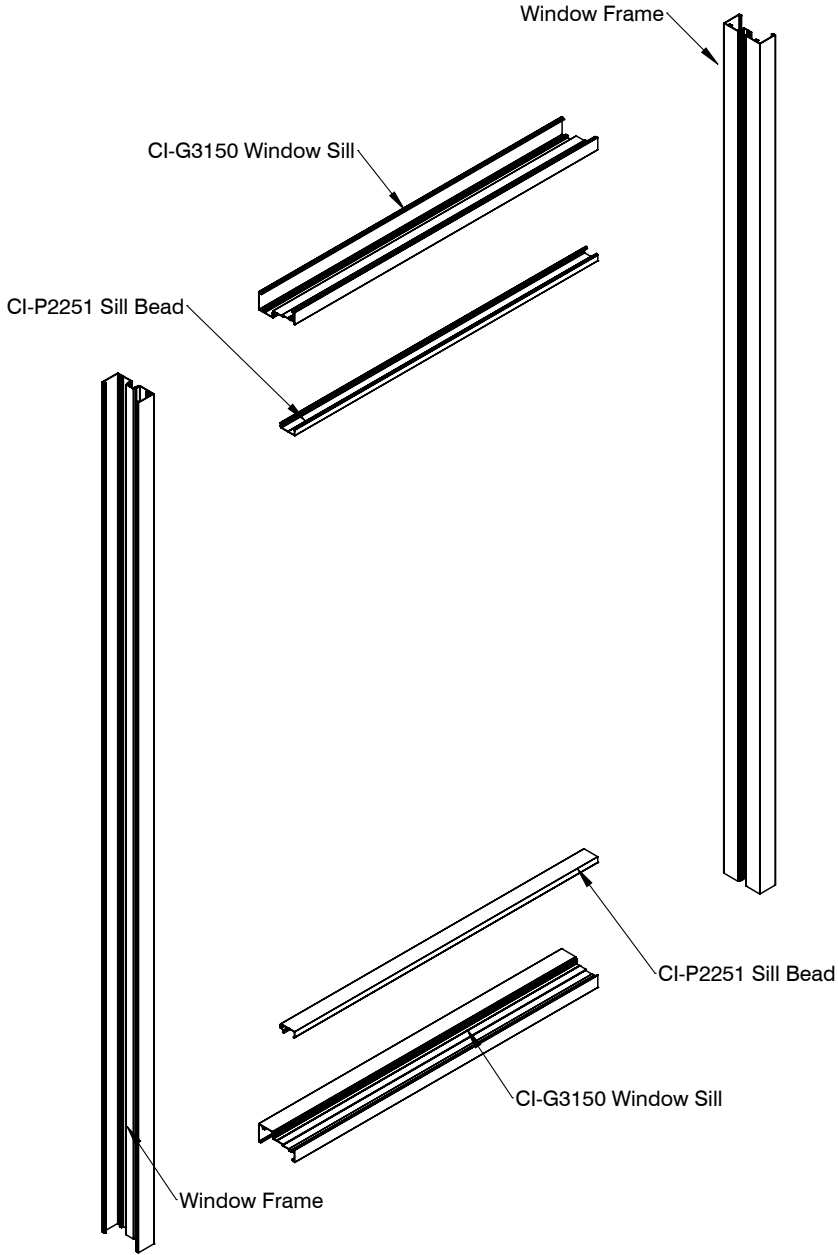
Gallium 45 - Window Frame



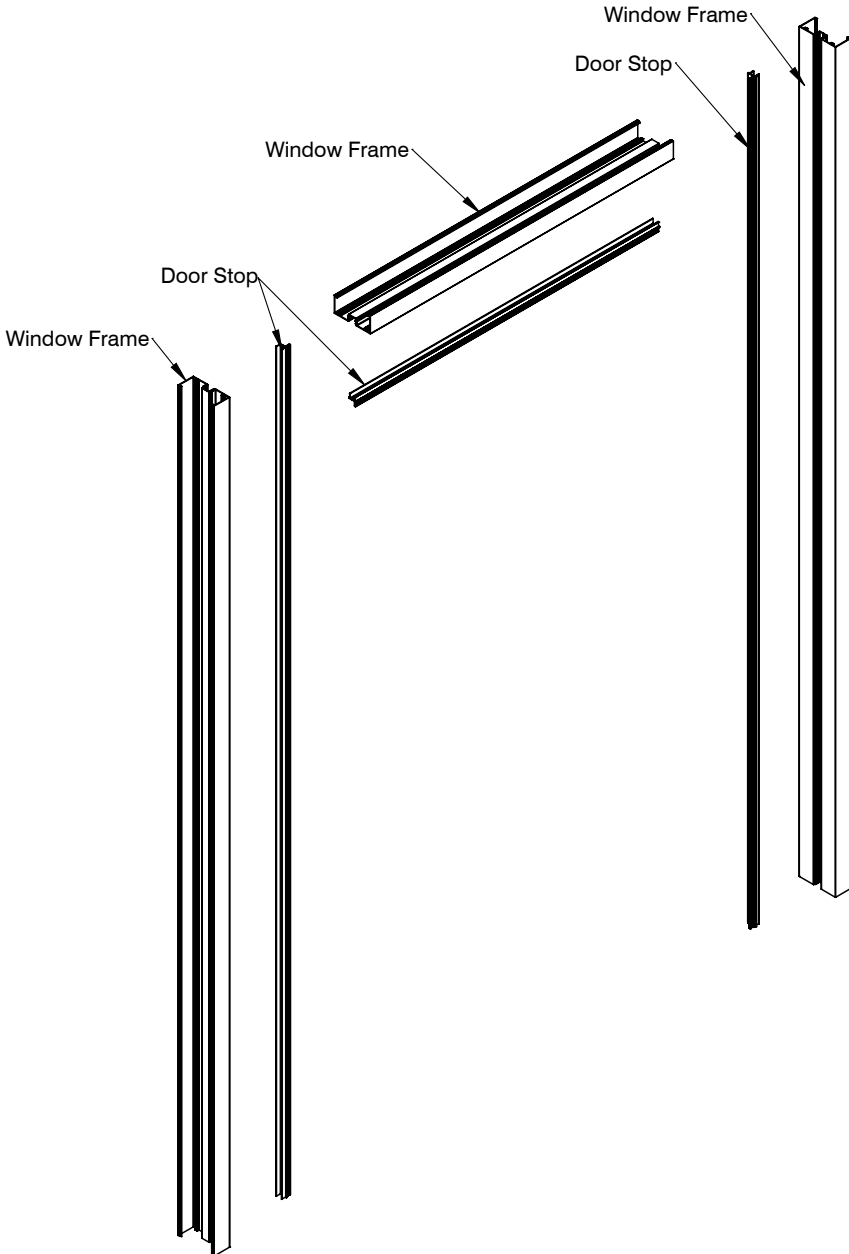
Gallium 45 - Door Frame



Gallium 100 - Window Frame



Gallium 100 - Door Frame





VIC

23 Scanlon Drive
Epping, VIC, 3076
T: 03 9355 0700

sales@criterionindustries.com.au

NSW

95 Victoria Street
Smithfield, NSW, 2164
T: 02 9355 0700

sales.nsw@criterionindustries.com.au

WA

58 Tacoma Circuit
Canning Vale WA 6155
T: 08 9355 0700

sales.wa@criterionindustries.com.au

QLD

22 Holt Street
Eagle Farm QLD 4009
T: 07 3193 8990

sales.qld@criterionindustries.com.au