

CELTIC CAVITY

Installation Instructions

Contents

SECTION	PAGE
Cavity Identification	
Celtic Cavity - Part Configuration	3
Celtic Cavity - Roller Options	4
Celtic Cavity - Instructions	
Steps 1 - 2 - 3 - Preperation	5
Step 4 - Install Cavity Frame	6
Step 5 - Standard Roller Instructions	7
Step 6 - Setting Door Clearance	8 - 10
Step 7 - 8 Check Door operation / Finishing	11
Detailed Drawings / Elevations	12 - 16

Celtic Part Configuration

① **Cavity Cage**

② **Sliding Track**



③ **Split Jamb**



④ **Closing Jamb**



⑤ **Track Carrier**



⑥ **Cavity Door Head**

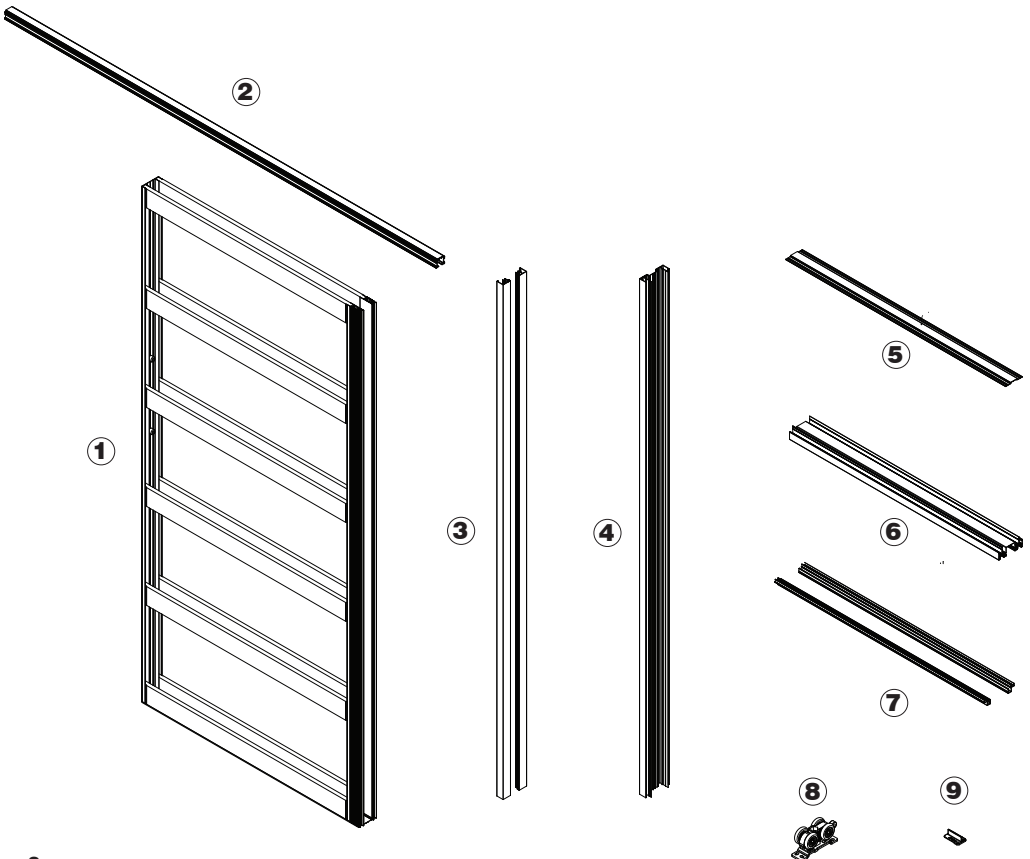


⑦ **Clip on Pelmet**





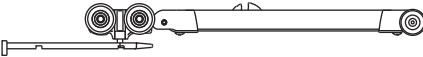
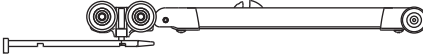
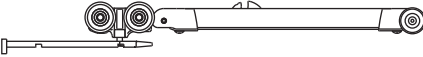


⑧ **Rollers - (Options - Pg 4)**

⑨ **Caspian T-Guide**



Roller Options

SECTION	DESCRIPTION
	817020A - Arctic Revolution Standard Plate Roller
	817022A - Arctic Revolution Low Clearance Roller
	817024A - Arctic Revolution 80kg Soft Close Standard Plate Roller
	817025A - Arctic Revolution 40kg Soft Close Standard Plate Roller
	817026A - Arctic Revolution 80kg Soft Close Low Clearance Roller
	817027A - Arctic Revolution 40kg Soft Close Low Clearance Roller
	817028A - Arctic Revolution 120kg Soft Close Low Clearance Roller

Step 1 - Unpack + Check

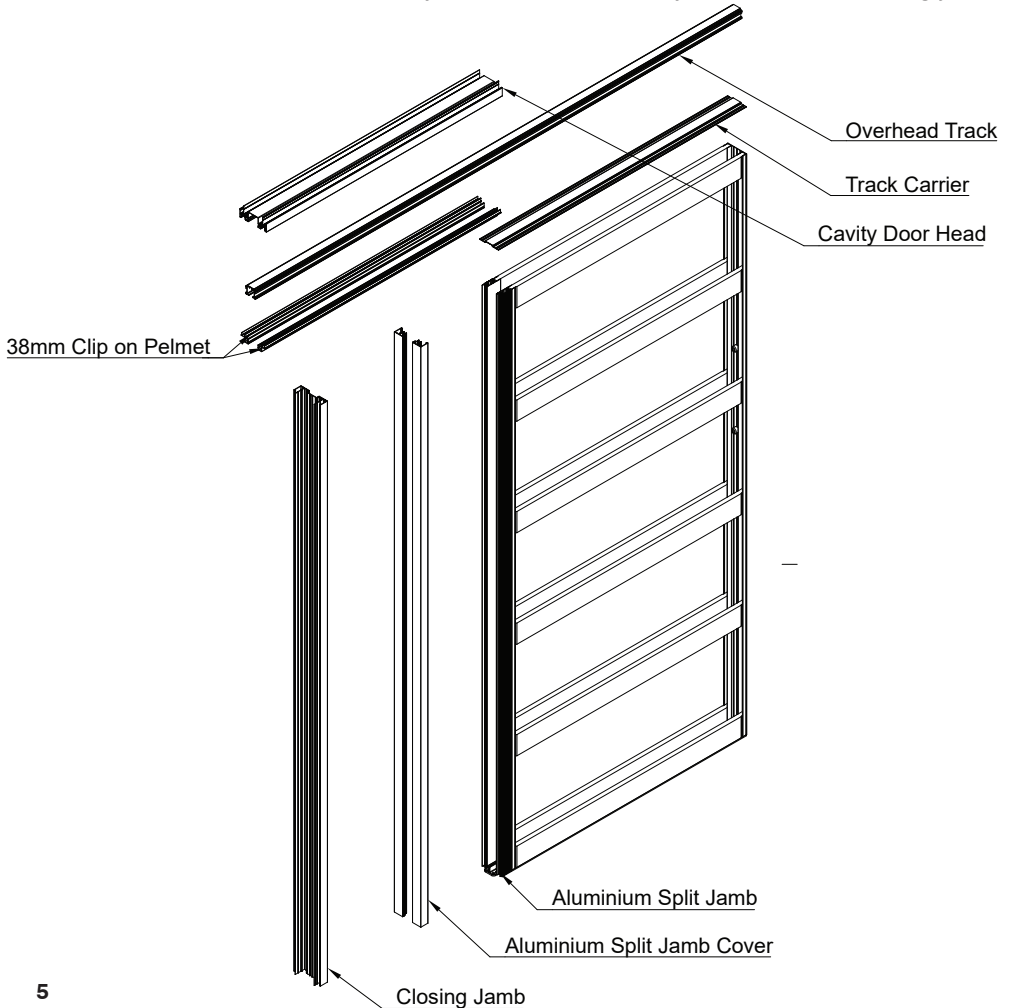
Ensure that all contents are correct and in good condition. Check Corresponding size of Cavity on Sales Order to ensure correct size has been ordered.

Step 2 - Prepare Stud Opening

Refer to stud opening dimensions (at rear of Instructions) prepare stud opening to suit required cavity size ensuring the floor space in the stud opening is level - pack if required.

Step 3 - Assemble Cavity Frame

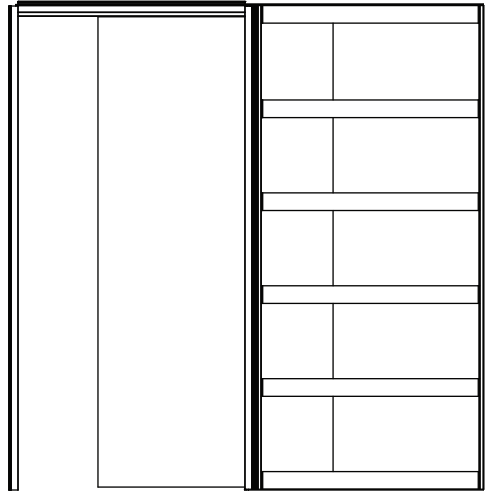
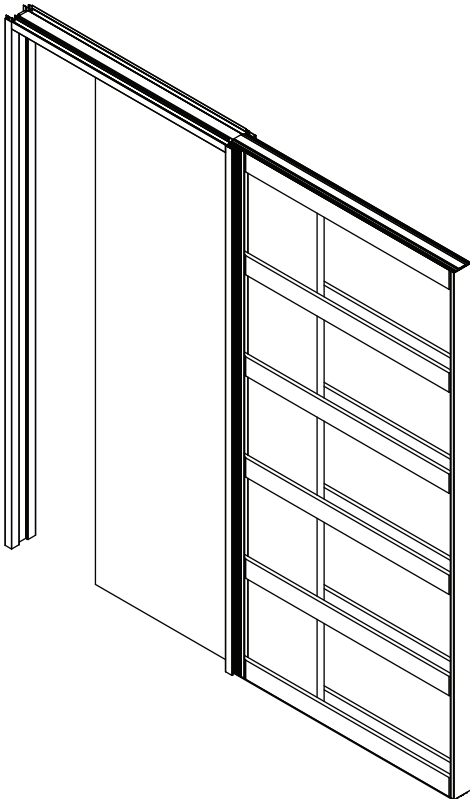
Secure the overhead track assembly to the top of the cavity pocket and fix closing jamb



Step 4 - Install Cavity Frame

- a) Place Cavity pocket into stud opening and ensure that it is square, plumb and level. If necessary pack between stud rear post + closing jamb.
- b) Fix off to studwork and floor.
- c) Align and fasten track to member above ensuring track is level and fixings are adequate for door weight. Ensure track is clean and free from any debris.
- d) Insert T-Guide into base track and screw into place.

*note: Ensure screws are flush to prevent interference with soft close trigger.



**note: All Closing Jamb are over length, ensure to cut jamb to size.

Step 5 - Prepare + Fit Door

- a) Arctic Standard Roller
- b) Arctic Low Clearance Roller
- c) Arctic Soft Close Roller

Step 5a - Arctic Standard Roller

Door Height = Opening to underside of track - 19mm (+ / - 4mm)

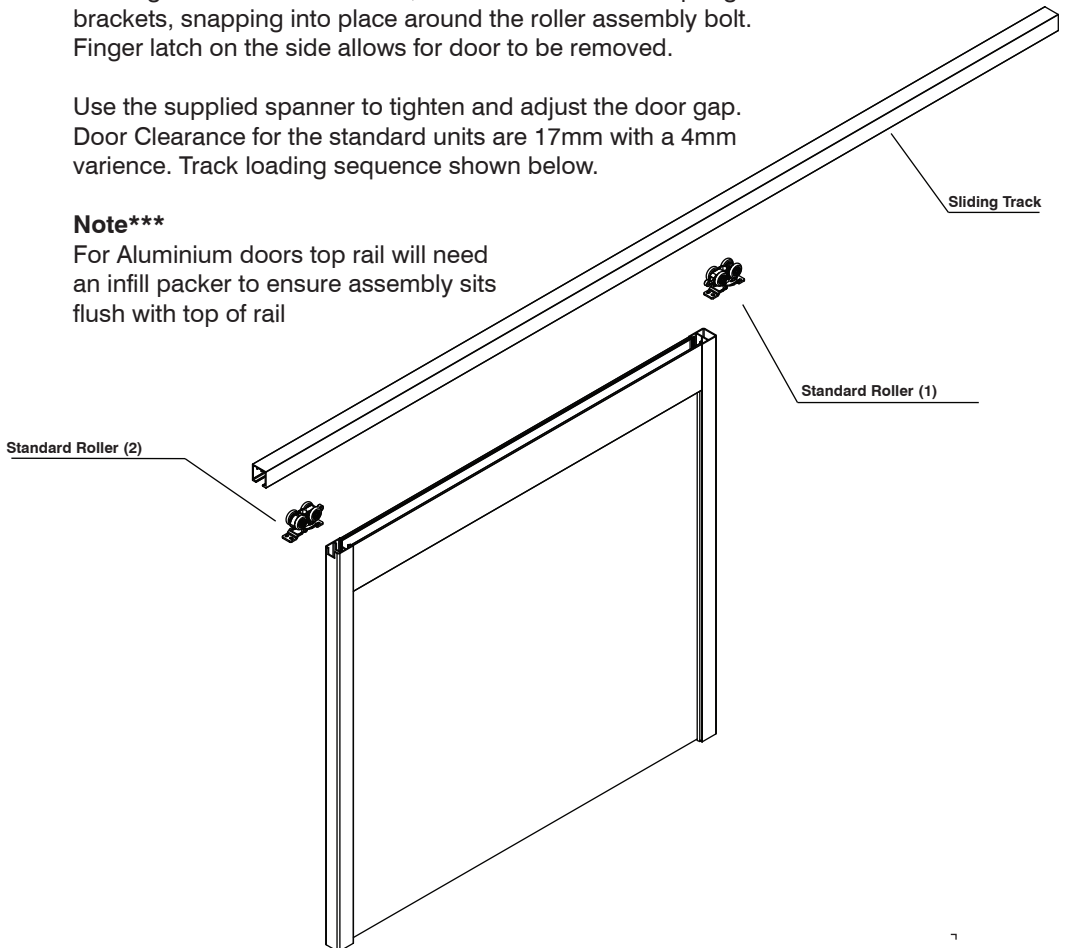
Screw door mount brackets to top of door ensuring brackets are centred.

Insert Rollers + Track stops into track and slide roughly into position.
To hang the door on the rollers, manoeuvre door onto spring brackets, snapping into place around the roller assembly bolt.
Finger latch on the side allows for door to be removed.

Use the supplied spanner to tighten and adjust the door gap.
Door Clearance for the standard units are 17mm with a 4mm variance. Track loading sequence shown below.

Note***

For Aluminium doors top rail will need an infill packer to ensure assembly sits flush with top of rail



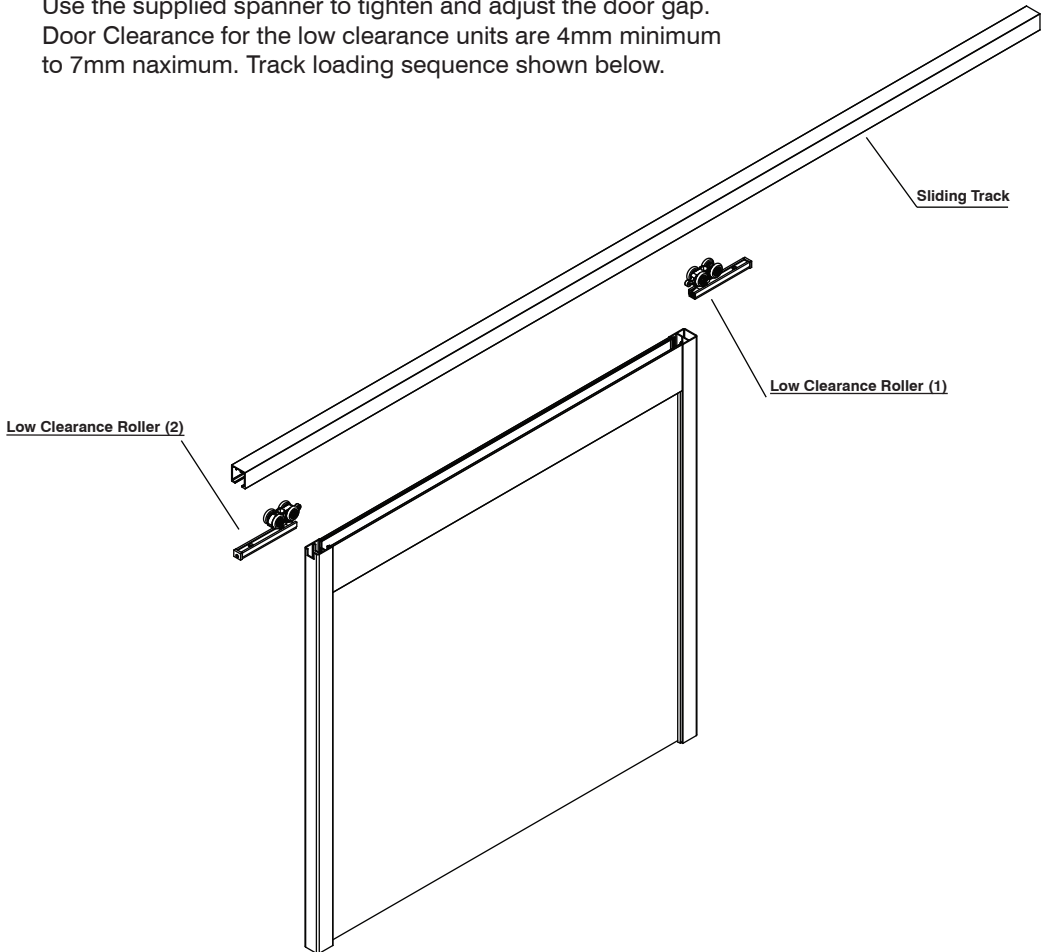
Step 5b - Arctic Low Clearance Roller

Door Height = Opening to underside of track - 14mm

Screw low clearance sleeve into 19mm wide x 15mm deep trench into the top of door 5.5mm in from door edge ensuring fixing penetrates door structure.

Insert Rollers + Track stops into track and slide roughly into position.
To hang the door slide spear plate (with roller mechanism attached) into sleeve.
Screw spear plate into sleeve.

Use the supplied spanner to tighten and adjust the door gap.
Door Clearance for the low clearance units are 4mm minimum to 7mm maximum. Track loading sequence shown below.



Step 5c - Arctic Soft Close Roller

Low Clearance Roller:

Door Height: Opening to underside of track - 14mm

- Screw low clearance sleeve into 19mm wide x 15mm deep trench, 5.5mm from the door edge, ensuring it penetrates the door structure.
- Insert Rollers, Track Stops, and Soft Close Trigger into the track, slide into position.
- Hang the door by sliding the spear plate (with roller mechanism) into the sleeve and screw it in place.
- Use the provided spanner to adjust the door gap (4mm minimum to 7mm maximum).

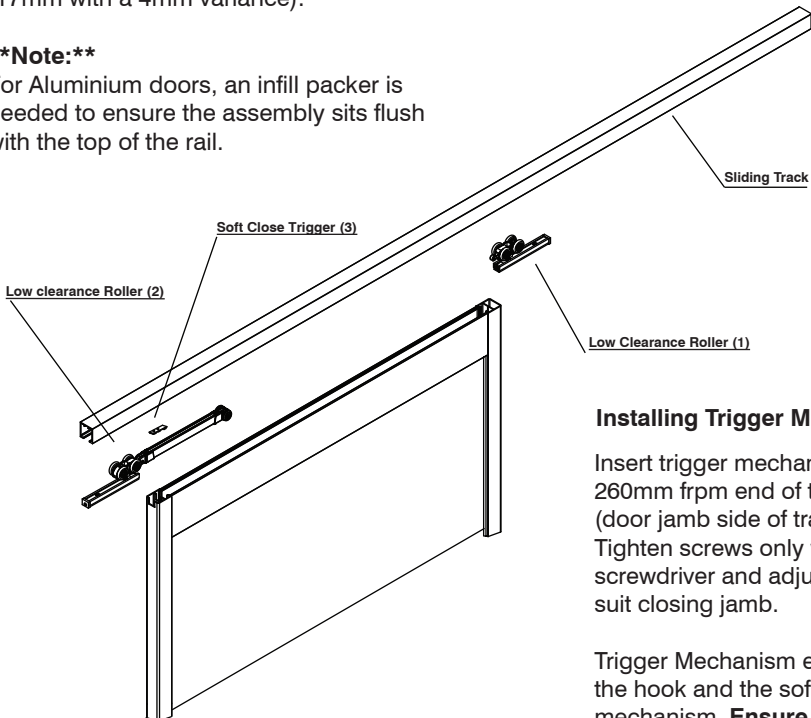
Standard Roller:

Door Height: Opening to underside of track - 19mm (+/- 4mm)

- Screw door mount brackets to the top of the door, ensuring they are centred.
- Insert Rollers, Track Stops, and Soft Close Trigger into the track, slide into position.
- Hang the door by manoeuvring it onto spring brackets, snapping it around the roller assembly bolt. A finger latch allows for easy removal.
- Use the provided spanner to adjust the door gap (17mm with a 4mm variance).

****Note:****

For Aluminium doors, an infill packer is needed to ensure the assembly sits flush with the top of the rail.



Installing Trigger Mechanism

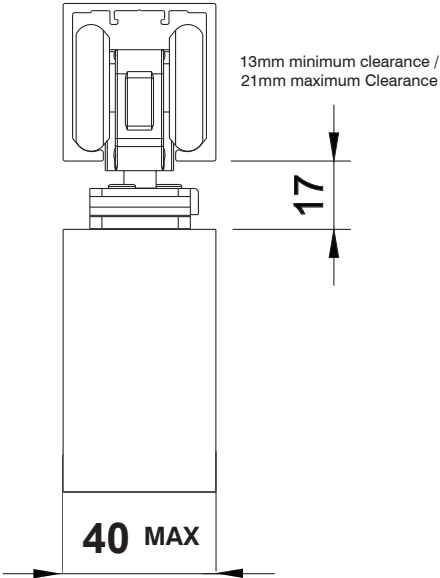
Insert trigger mechanism (4) 260mm from end of track (door jamb side of track). Tighten screws only with a screwdriver and adjust to suit closing jamb.

Trigger Mechanism engages the hook and the soft close mechanism. **Ensure the hook⁷ is in tensioned position before loading into track**

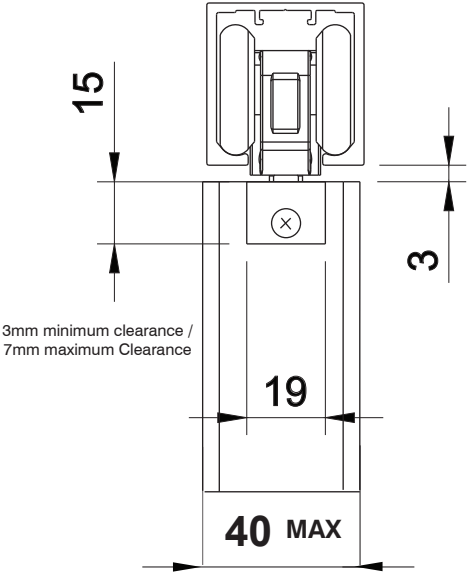
Step 6 - Setting Up Door Clearance

Max Door Thickness - 40mm

Standard Quick Fix Roller

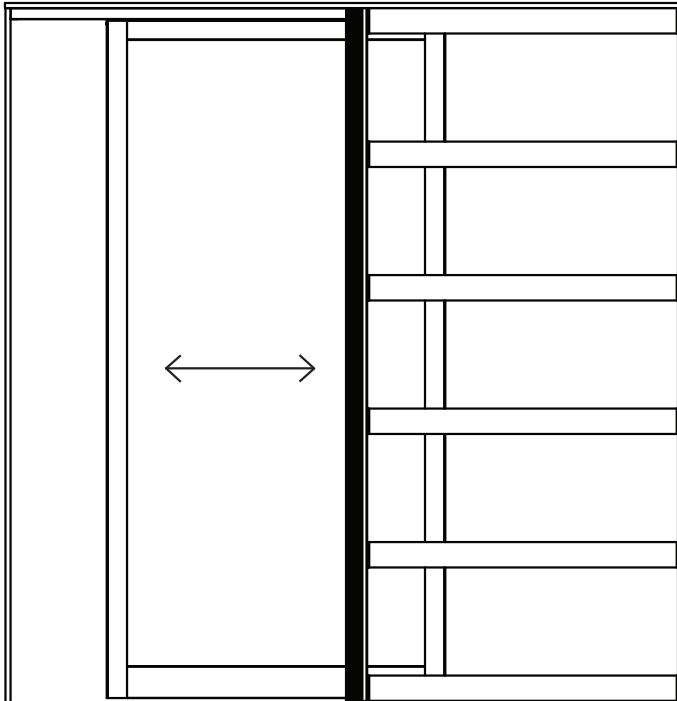


Low Clearance Roller



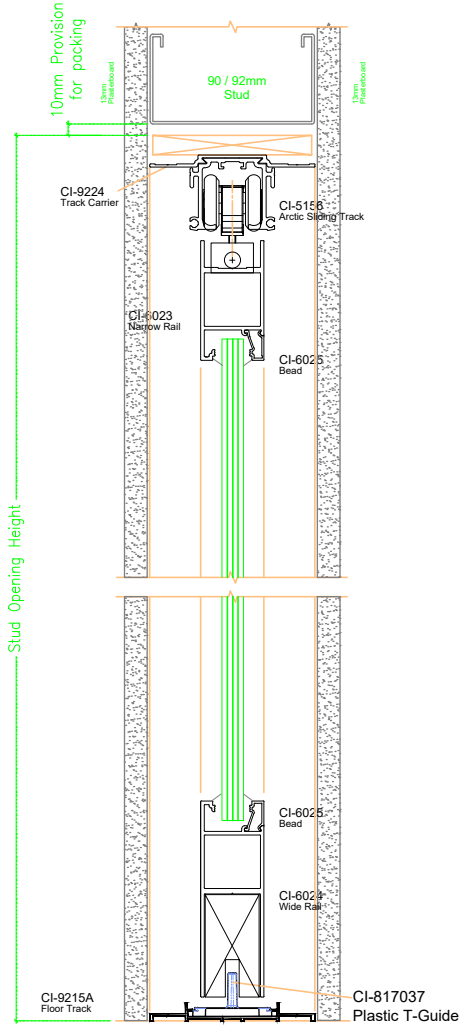
Step 7 - Check Door Operation

Once doors are installed, adjust door stops and soft close trigger (if required) to appropriate position. Operate door in and out of cavity pocket to ensure door operates correctly. Install pelmets if required.

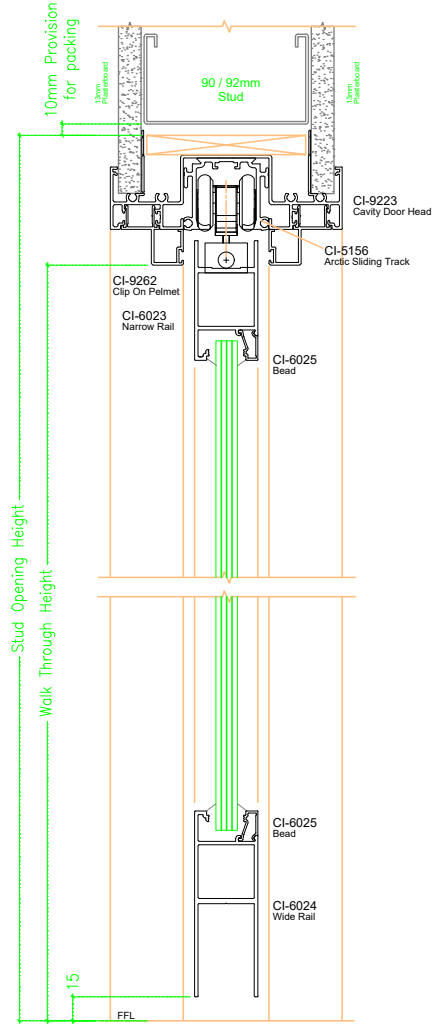


Assembly Details

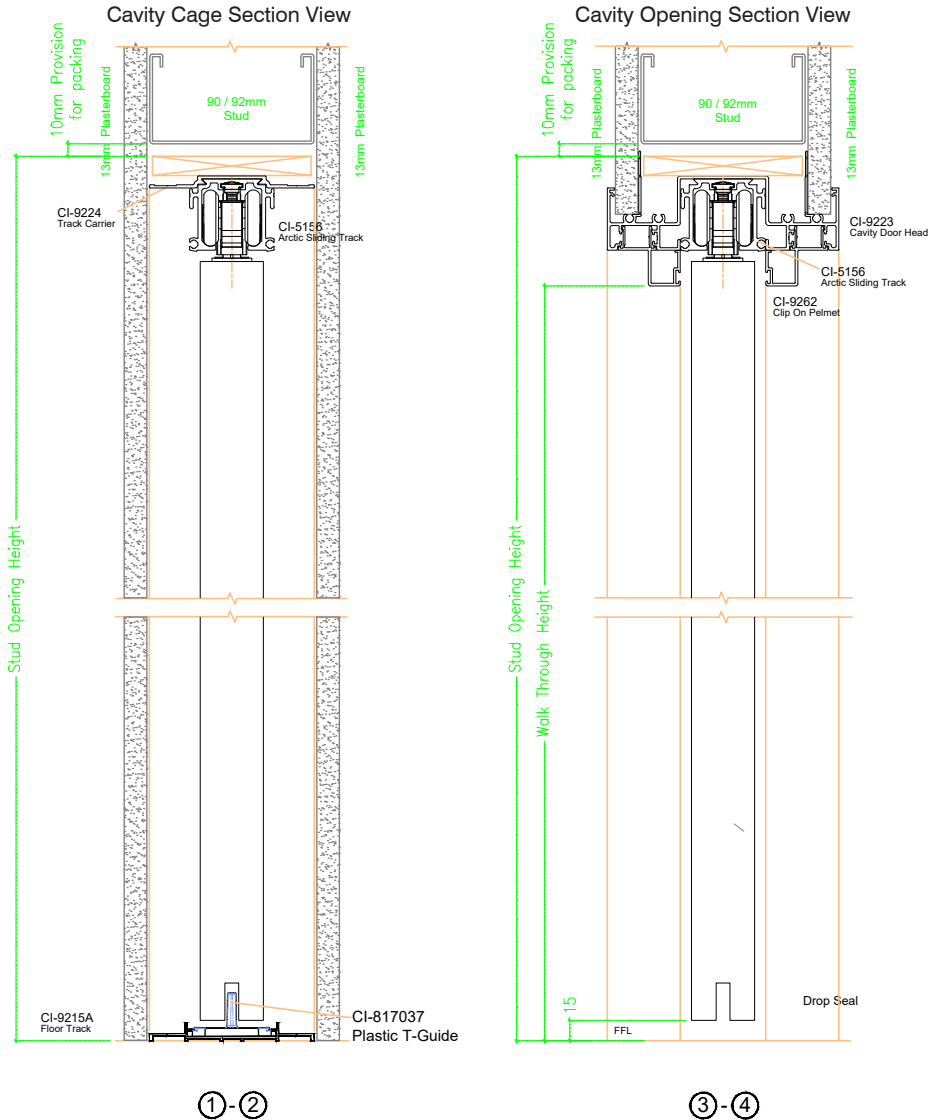
Cavity Cage Section View



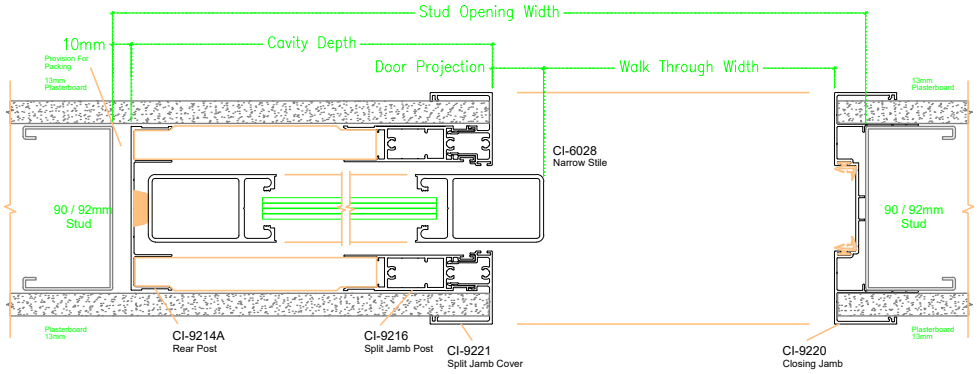
Cavity Opening Section View



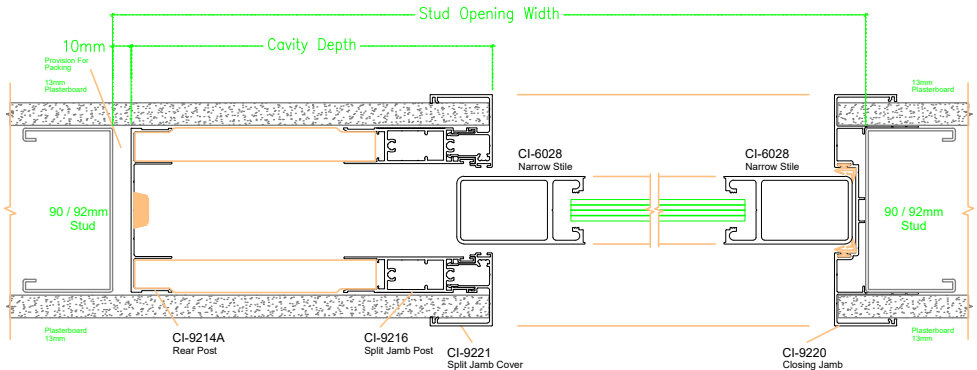
Assembly Details - Single Timber Door



Assembly Details - Single Door

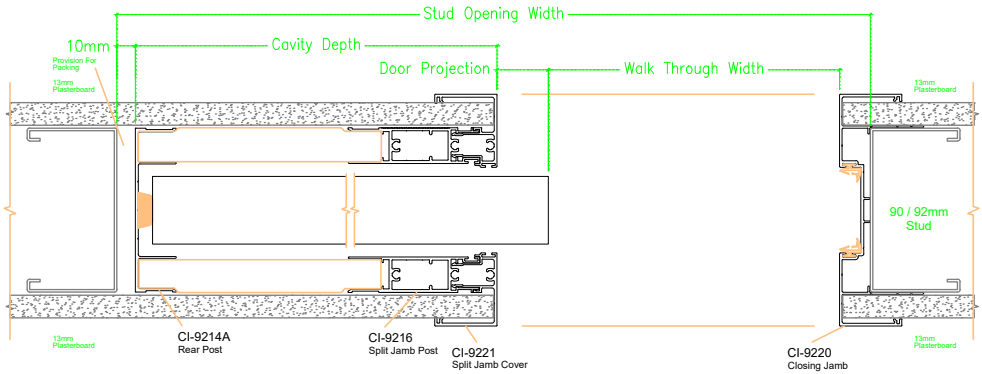


Door Open

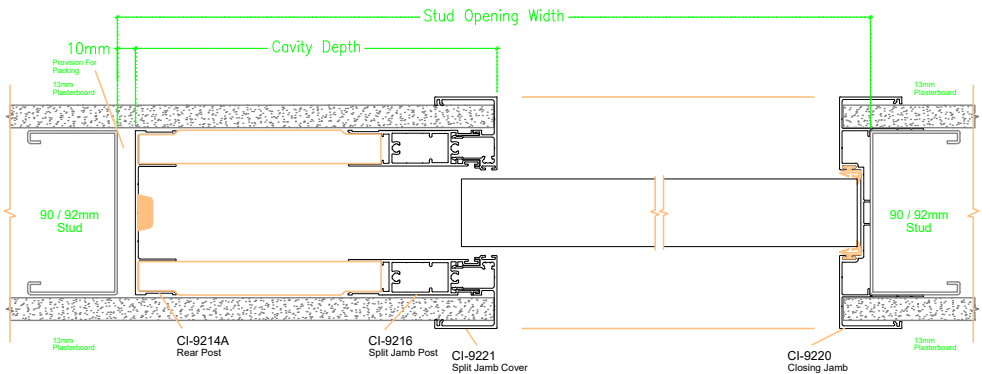


Door Closed

Assembly Details - Single Timber Door



Door Open



Door Closed



VIC

23 Scanlon Drive
Epping, VIC, 3076
T: 03 9355 0700

sales@critterionindustries.com.au

NSW

29 Killo Crescent
Glennendenning, NSW, 2761
T: 02 9355 0700

sales.nsw@critterionindustries.com.au

WA

58 Tacoma Circuit
Canning Vale WA 6155
T: 08 9355 0700

sales.wa@critterionindustries.com.au

QLD

22 Holt Street
Eagle Farm QLD 4009
T: 07 3193 8990

sales.qld@critterionindustries.com.au

To ensure product performance and maintain warranty coverage, it is imperative to strictly adhere to the manufacturer's provided installation instructions.