

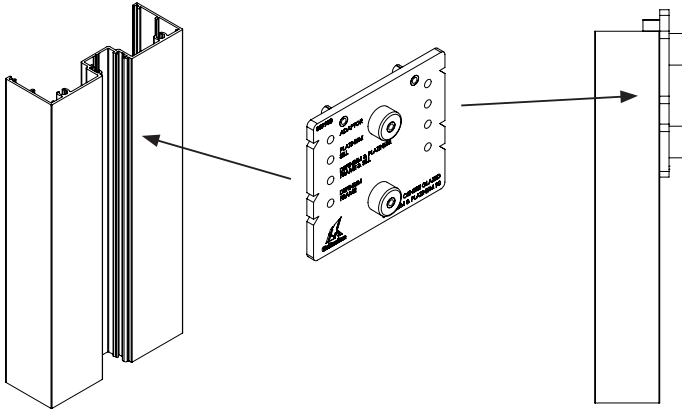
Drilling Jig

Installation Instructions

Drilling Jigs Instructions - Frame

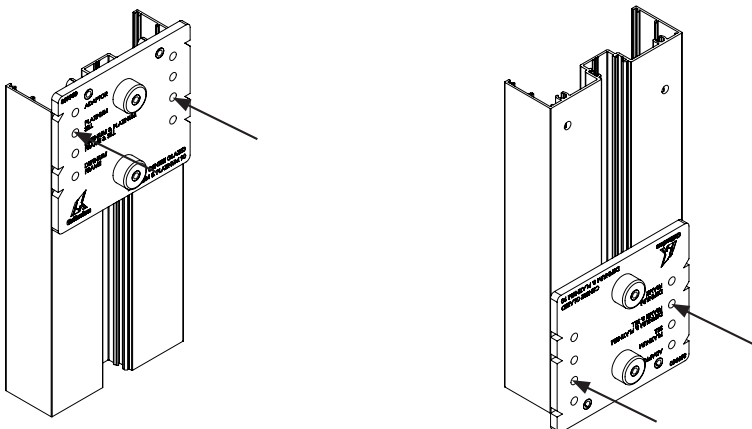
Step 1

Using a drilling jig, rest the top pins on the edge of the section and sit the large bosses into the glazing pocket.



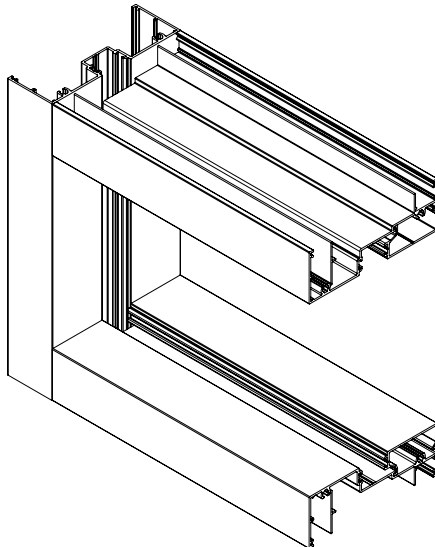
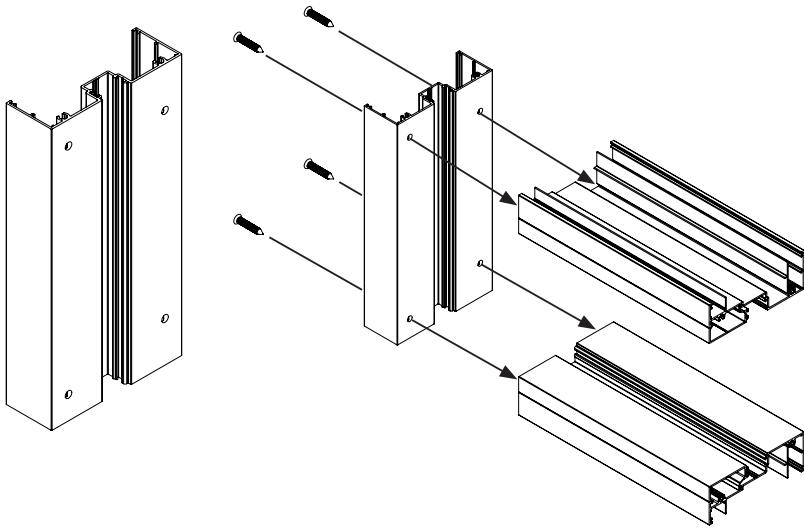
Step 2

Pre-drill holes at top and bottom of the Window Frame. Pay attention to which holes you should drill through. In this case drill through the 'Window Sill' holes, as indicated in the diagram below.



Step 3

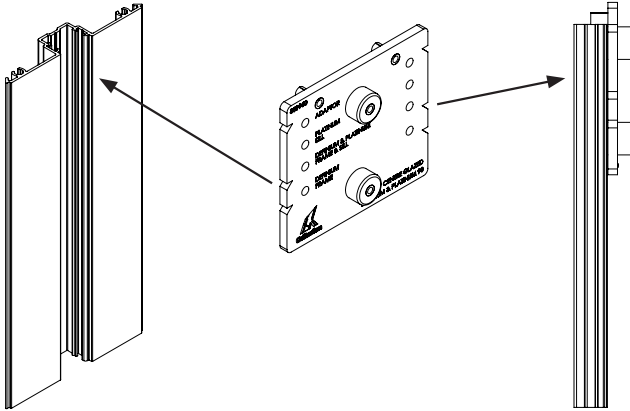
Fasten the Window Sills to the Window Frame using a 10 gauge x 25 mm Pan Head screw, screw through the pre-drilled holes and into the receiving screw flute on the horizontal sections.



Drilling Jigs Instructions - Adaptor

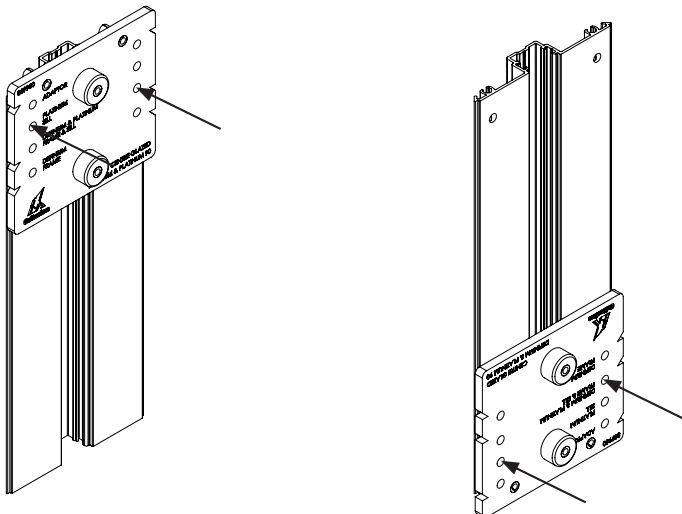
Step 1

Using a drilling jig, rest the top pins on the edge of the section and sit the large bosses into the glazing pocket.



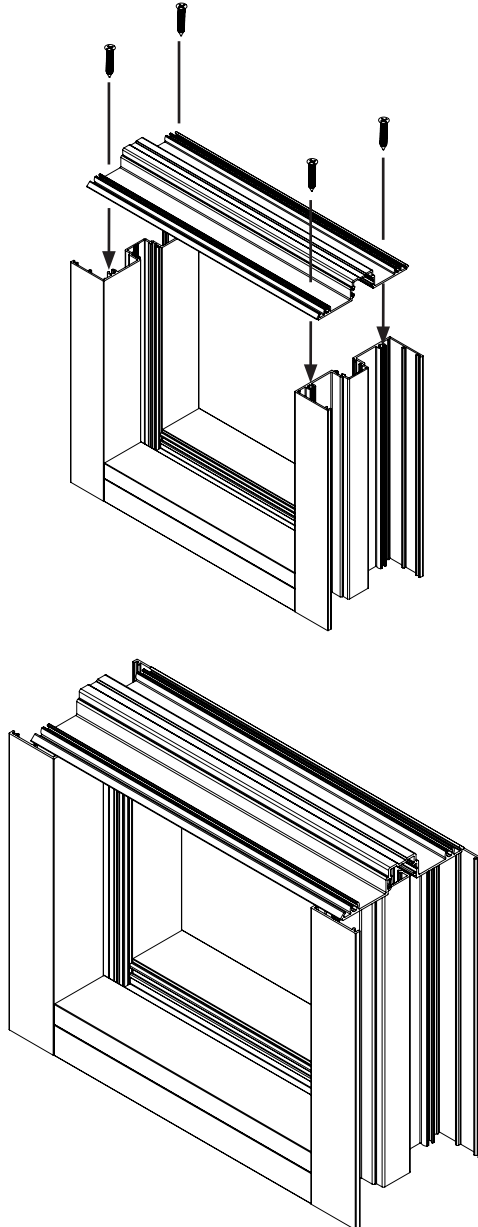
Step 2

Pre-drill holes at top and bottom of the Adaptor. Pay attention to which holes you should drill through. In this case drill through the 'Adaptor' holes on the top and the 'Window Sill' holes on the bottom, as indicated in the diagram below.



Step 3

Fasten the adaptor to the Window Frames using a 10 gauge x 25 mm Pan Head screw, screw through the pre-drilled holes and into the receiving screw flute on the horizontal sections.





VIC

23 Scanlon Drive
Epping, VIC, 3076
T: 03 9355 0700

sales@criterionindustries.com.au

NSW

95 Victoria Street
Smithfield, NSW, 2164
T: 02 9355 0700

sales.nsw@criterionindustries.com.au

WA

58 Tacoma Circuit
Canning Vale WA 6155
T: 08 9355 0700

sales.wa@criterionindustries.com.au

QLD

22 Holt Street
Eagle Farm QLD 4009
T: 07 3193 8990

sales.qld@criterionindustries.com.au