

Criterion Industries Timber door range

Practicality in design.

www.criterionindustries.com.au



Timber Doors

Our wide range of stylish, durable doors and accessories have been designed to complement a range of supplementary Criterion solutions. Attention to detail combined with a stringent insistence on quality ensures our timber door collection suits a variety of applications throughout commercial and residential spaces.

Timber doors offer a pre-glazed option and cut outs to suit Opti-Lite® and/or Vent Flow®, which can both reduce and simplify the installation process. We also offer additional services including machining for hardware, specialised cladding and veneers.

Designed and customised to suit a range of project requirements, Aurora timber doors deliver continuous performance in high traffic commercial spaces and also provide a touch of modern interior styling.

WHY CHOOSE TIMBER DOORS?

- + Lightweight (4mm skin), Heavyweight (9mm skin) and Solidcore doors
- + In-house machining to suit associated hardware and seals
- + Viewing panels
- + Variety of veneers & Laminates
- + Fast turnaround time for custom doors
- + Acoustic Rating:
Acoustic Timber Door – RW34 - RW40



TIMBER DOOR - MFCO



LIGHT WEIGHT

TYPE	THICKNESS (MM)	WIDTH (MM)	HEIGHT (MM)	FRAME TYPE	SKIN TYPE	MACHINING	FINISH	CODE	STOCKED IN			
									VIC	NSW	WA	QLD
Light Weight	35	920	2700	MDF Frame	4.75mm MDF	—	Raw	612327.04S				•
Light Weight	35	920	2700	MDF Frame	3mm MDF	—	Primecoat	612327.03PCS				•
Light Weight	38	920	2700	MDF Frame	6mm MDF	—	Raw	612227.06S				•
Light Weight	44	920	2700	MDF Frame	4.75mm MDF	—	Raw	612427.04S	•			•

HEAVY WEIGHT

Heavy Weight	38	920	2040	MDF Frame	6mm MDF	—	Raw	602221.06S	•			
Heavy Weight	38	920	2700	MDF Frame	6mm MDF	—	Raw	602227.06S	•			•
Heavy Weight	44	820	2700	MDF Frame	9mm MDF	—	Raw	608427.09S	•			
Heavy Weight	44	920	2040	MDF Frame	9mm MDF	—	Raw	602421.09S	•			
Heavy Weight	44	920	2400	MDF Frame	9mm MDF	—	Raw	602424.09S	•			
Heavy Weight	44	920	2700	MDF Frame	9mm MDF	■	Raw	602427.09S	•			•

KEY ■ = Morticed option available (VIC only), add 'M' to end of code

SOLID CORE

Solid Core	35	920	2700	—	9mm MDF	—	Raw	622327.09S				•
Solid Core	35	920	2700	MDF Frame	3mm MDF	—	Duracoat	622327.03DCS				•
Solid Core	38	920	2700	—	6mm MDF	—	Raw	622227.06S	•			•
Solid Core	40	920	2700	MDF Frame	3mm MDF	—	Duracoat	622527.03DCS				•
Solid Core	44	920	2700	—	9mm MDF	—	Raw	622427.09S	•			•

FOAM CORE

Foam Core	35	920	2700	MDF Frame	3mm MDF	—	Primecoat	632327.03PCS				•
-----------	----	-----	------	-----------	---------	---	-----------	--------------	--	--	--	---

BLANK (SLAB)

TYPE	THICKNESS (MM)	WIDTH (MM)	HEIGHT (MM)	FRAME TYPE	SKIN TYPE	MACHINING	FINISH	CODE	STOCKED IN			
									VIC	NSW	WA	QLD
Blank (Slab)	32	925	2700	—	—	■ ♦	Raw	653627.S				•
Blank (Slab)	32	1200	2700	—	—	■ ♦	Raw	651627.S				•
Blank (Slab)	35	925	2700	—	—	■ ♦	Raw	653327.S				•
Blank (Slab)	35	1200	2700	—	—	■ ♦	Raw	651327.S				•
Blank (Slab)	39	925	2700	—	—	■ ♦	Raw	653727.S				•
Blank (Slab)	39	1200	2700	—	—	■ ♦	Raw	651727.S				•
Blank (Slab)	44	925	2700	—	—	■ ♦	Raw	653427.S				•
Blank (Slab)	44	1200	2700	—	—	■ ♦	Raw	651427.S				•

KEY ■ = Morticed option available, add 'M' to end of code
 ♦ = Morticed with Seal Cutout option available, add 'MS' to end of code

ADDITIONAL SERVICES

- + In stock and ready for quick delivery
- + Same day in-house trimming service available
- + In-house machining to suit associated hardware and seals
- + MDF Packers, Stopends and Wall Starters also available

Contact us to discuss our competitive pricing!



MDF DOORS - MADE TO ORDER

When ordering MDF Doors made to order:

1. CONFIRM THE DOOR STRUCTURE, FOLLOWING ARE AVAILABLE

- Lightweight Door - 4mm Skin
- Heavyweight Door - 9mm Skin
- Solidcore - Chipboard Core
- Polycore - Polystyrene Core
- External Grade
- Fire Rated
- Metal Clad
- Acoustic
- Lead

2. CONFIRM DOOR SIZE

- Door Height
- Door Width
- Door Thickness

3. DOOR FACE FINISH

- Ply
- MDF - Raw Finished
- MDF - Undercoat
- Masonite Primed
- Veneer
- Laminate

DOOR MACHINING

- Related if pair of doors
- Machined to suit door furniture (ie. Mortice)
- Cut out to suit vision panel or vent

FRAME OR EDGE STRIPS

- MDF Frame
- Pine Frame



LIGHT WEIGHT



HEAVY WEIGHT



SOLID CORE



BLANK (SLAB)



FOAM CORE



WHISPER SERIES - ACOUSTIC TIMBER DOOR



SOLID CORE DURA COAT



SOLID CORE PRIME COAT



The source of inspiration

Natural timber veneers are Crafted from a diverse array of timber species meticulously selected from responsibly managed forests across the globe.

Articulate your Creativity

Natural timber veneers embody the essence of nature's individuality, enabling you to express this in your next project with:

- authentic, natural variations of colour, grain and markings found in genuine timber.
- Unique visual and tactile qualities.
- Seamlessly matched veneers to create sequential patterns.
- panels designed to complement other decorative elements in colour, texture and pattern.

Aesthetic Interiors

From commercial to residential settings, natural timber veneers lend their charm to a myriad of interiors, including:

- Fitouts for offices, retail spaces, and restaurants.
- Cabinetry in kitchens and bathrooms.
- Stylish accents for walls, bars, and tables.
- Inviting entrances in foyers and reception areas.
- Distinguished settings for corporate boardrooms.

Embracing Natural Variation

Variations in colour and pattern among veneers of the same species is an inherent aspect of natural timber which adds character and appeal.

While provided samples offer a glimpse and indication into the chosen species' general traits, the actual veneers may exhibit unique nuances. For projects where colour and grain consistency are paramount, consulting with our the Criterion staff is advised prior to commencement.

Visual effects

By skilfully arranging and matching veneers, a plethora of captivating visual effects can be achieved, enhancing the aesthetic appeal of your project. To ensure design integrity, our dedicated customer service representatives are available to guide you through the intricacies of veneer specifications before production commences.

UV resistance

As with all natural materials, exposure to light inevitably induces colour changes over time, a natural progression rather than a flaw in the veneers.

For areas subject to intense sunlight, incorporating UV inhibitors or protective coatings can mitigate colour alterations, preserving the veneers' timeless beauty for years to come.

Types of veneers

The method by which veneers are sliced from the log defines their general appearance or structure.



Quarter cut

Veneers cut from the quarter cut segment of the log produce a fairly straight (parallel) grain structure.



Crown cut

Veneers cut from this section of a log are known as crown or flat cut producing a conical design in various forms and configurations.



Fire-rated Doors

Criterion Industries has included fire doors as part of our extensive portfolio of high performing door systems. As a licensed manufacturer of E-Core fire door products, Criterion's fire doors conform with AS1905 and are available in a range of sizes and finishes.

E-Core has invested in developing fire door systems that meet the relevant building codes with an experienced and qualified team of technicians available to support Criterion as an approved licensee.

Criterion Industries will offer both commercial and residential fire doors and compliant steel door frames to complete the fire door package solution.

NOTE: Please check with your local state branch for supplier details.

WHY CHOOSE FIRE RATED DOORS?

- + Manufactured in accordance with AS1905:2015
- + 1HR and 2HR applications
- + Mini Fire Doors, 38mm Thick (Maximum height of 2350mm)
- + Maxi Fire Doors, 47mm Thick
- + MDF, Ply and HMR XP MDF Skin options
- + Pressed Metal Door Frames supplied with fire doors to achieve fire certification



FIRE-RATED DOORS

Acoustic Timber Doors

Criterion Industries' Silencio Acoustic timber door range has been acoustically tested in CSIRO's NATA approved test Laboratory for both single and double door configurations.

The Latest Silencio Timber Door range comes in a variety of door jambs:

- Aluminium - For traditional office fitouts allowing you to powdercoat them to better match the project vision.
- Pressed Metal Frame - For high traffic zones.
- KD Hardwood Timber - For architectural, bespoke requirements. Jambs are made from FSC® certified timber ensuring materials are sourced sustainably.

Attention to detail combined with stringent insistence on quality ensures our acoustic timber door collection suits a variety of applications throughout commercial spaces.

WHY CHOOSE TIMBER DOORS?

- + Thickness: AT35 & 40-S/D Doors are 44mm thick
- + Thickness: AT45-S/D Doors are 71mm thick
- + Great leadtimes
- + In-house machining to suit associated hardware and seals
- + supplied in range of veneers or laminates

ACOUSTIC RATING

- + Silencio AT35-S/D Acoustic timber door - RW35-37
- + Silencio AT40-S/D Acoustic timber door - RW40-44
- + Silencio AT45-S/D Acoustic timber door - RW45-47

WEIGHT

- + AT35-S/D: Approx 20Kg/M2
- + AT40-S/D: Approx 40Kg/M2
- + AT45-S/D: Approx 60Kg/M2

JAMBS

- + Platinum 90 Frame
- + Pressed Metal Frame
- + KD Hardwood Timber



VISIT THE PRODUCT PAGES!



NEW JAMB OPTIONS

Aluminium, Pressed Metal Frame & KD Hardwood Timber



Platinum 90 Frame



Platinum 90 Frame



Pressd Metal Frame



Pressd Metal Frame



KD Hardwood Timber Frame

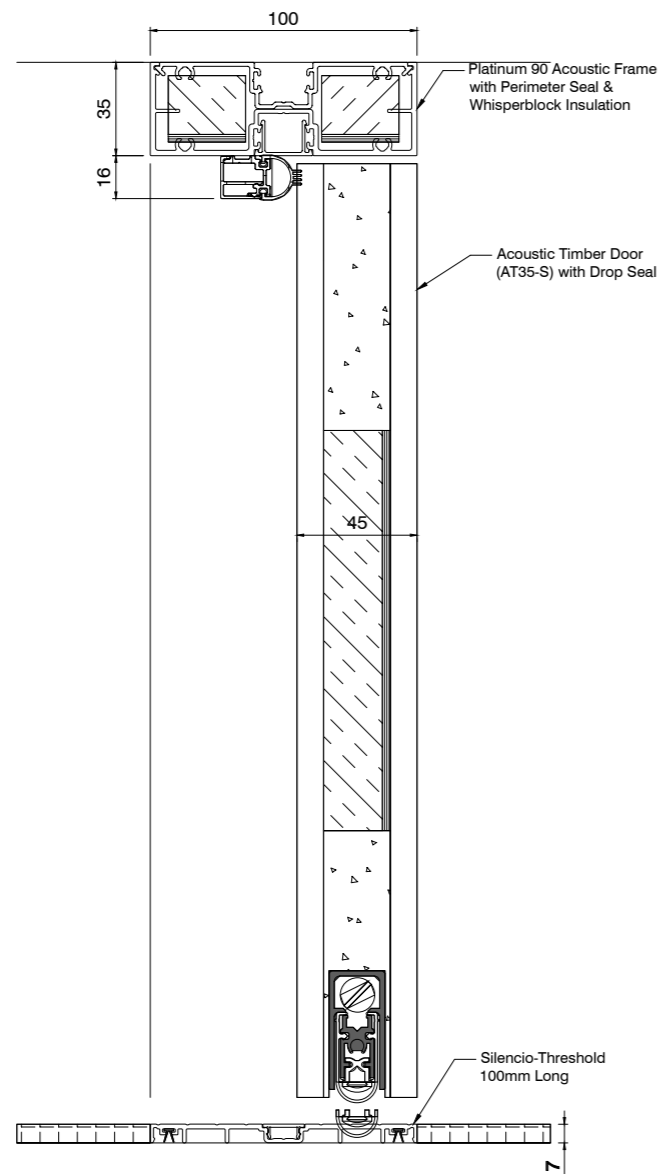


KD Hardwood Timber Frame



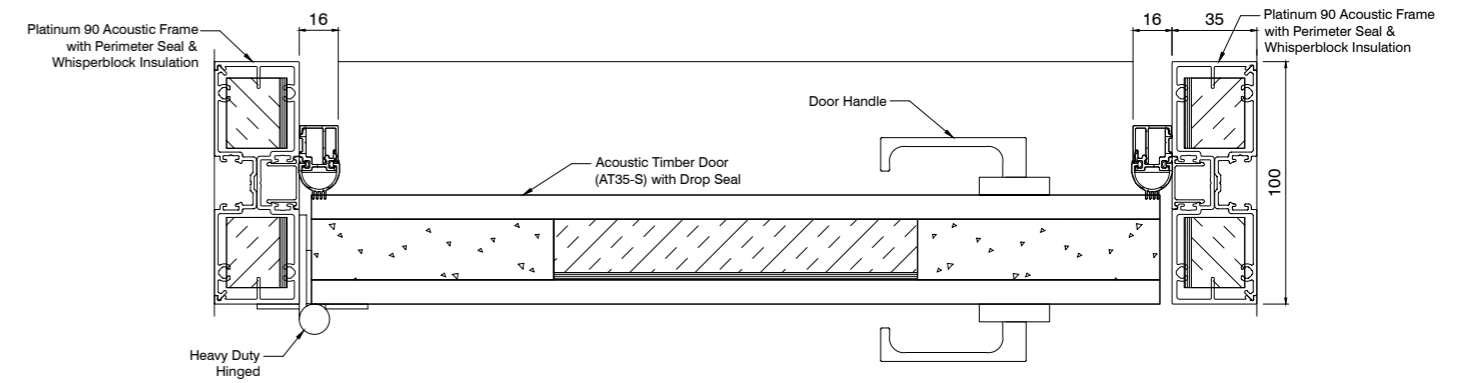
PLATINUM 90 FRAME

Silencio AT35 Acoustic Timber Door (RW36)



PLATINUM 90 FRAME

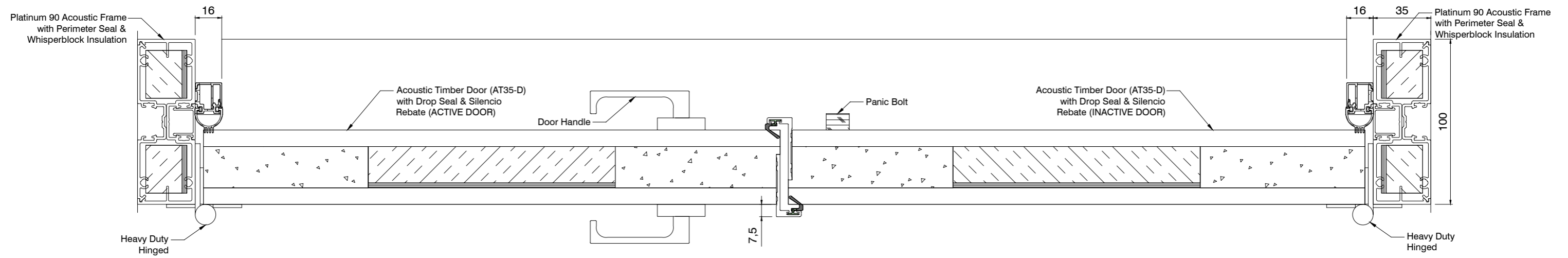
Silencio AT35-S Acoustic Timber door - Single (RW36)





PLATINUM 90 FRAME

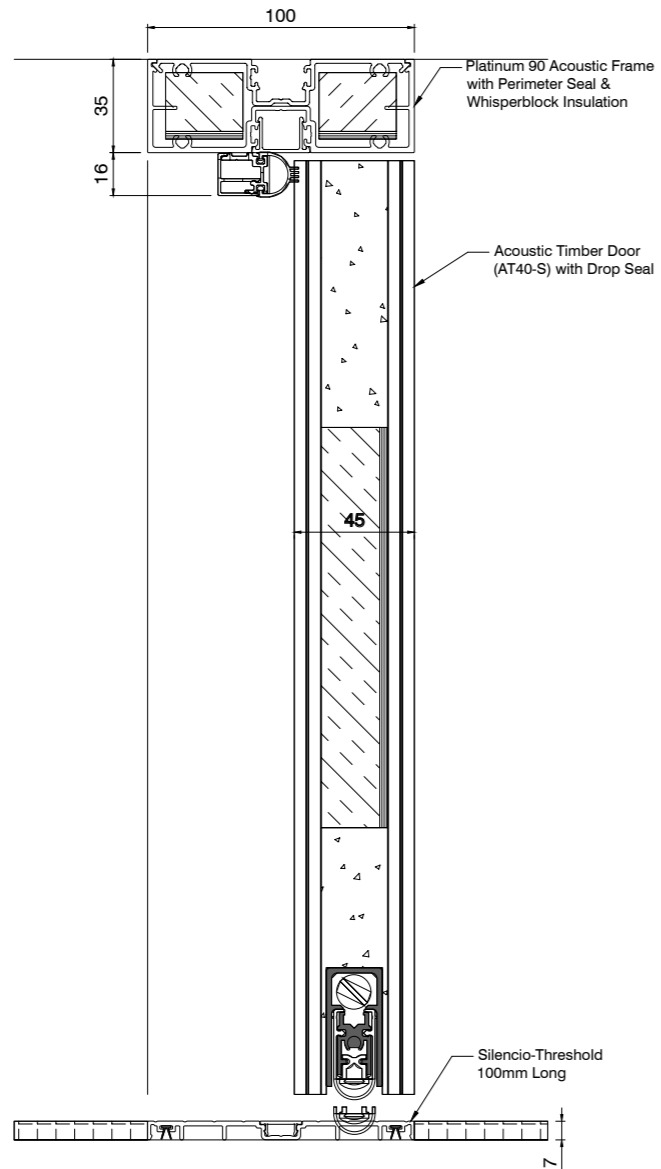
Silencio AT35 Acoustic Timber Door Double (RW35)





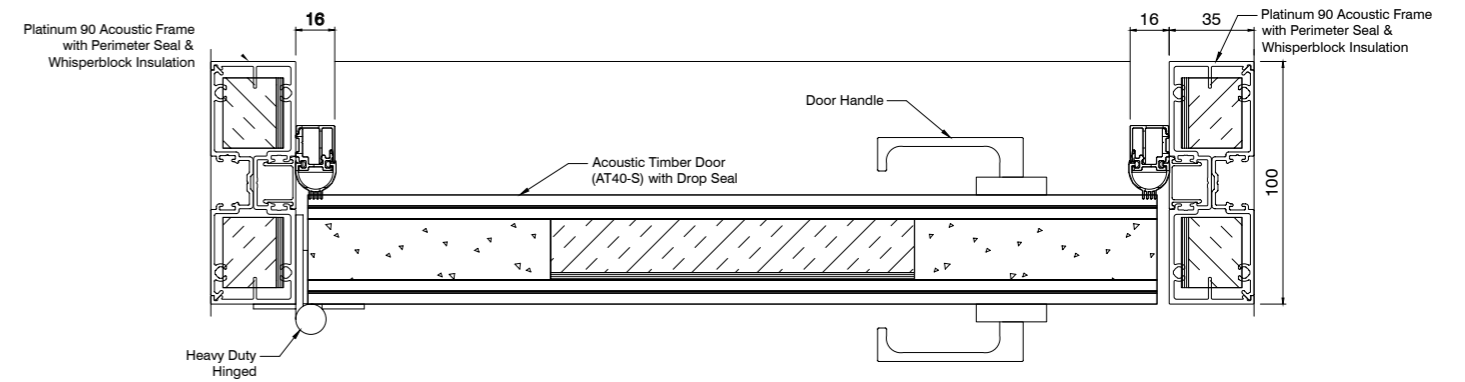
PLATINUM 90 FRAME

Silencio AT40 Acoustic Timber Door (RW40)



PLATINUM 90 FRAME

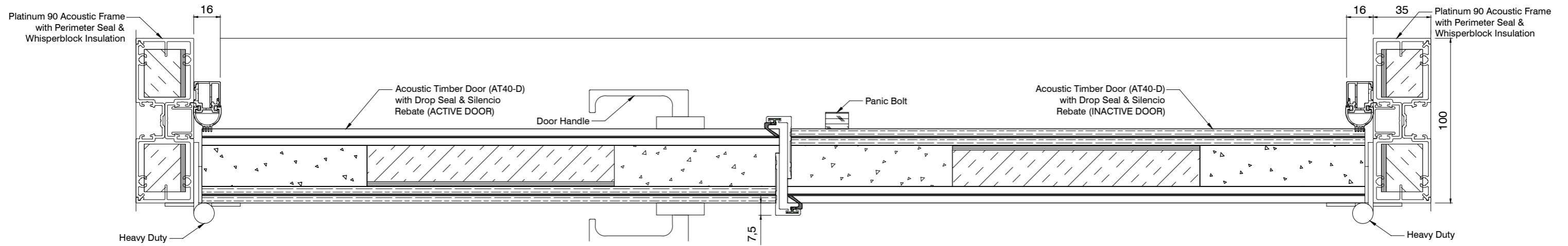
Silencio AT40-S Acoustic Timber door - Single (RW40)





PLATINUM 90 FRAME

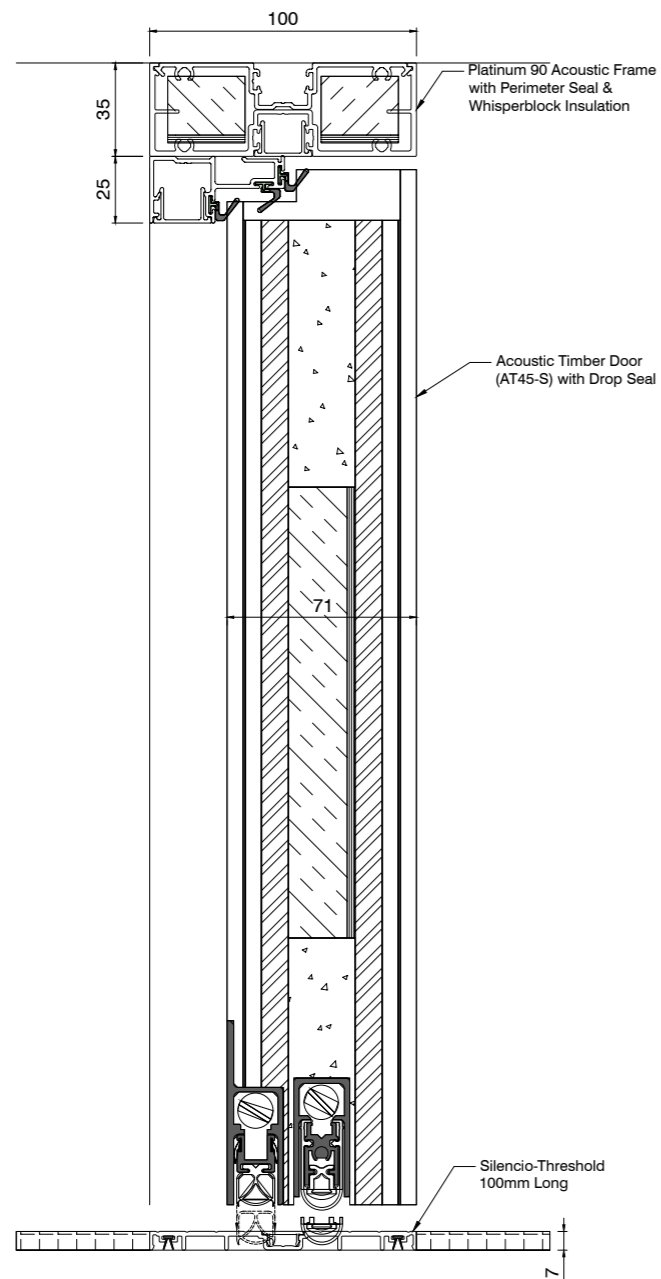
Silencio AT40-D Acoustic Timber door - Double (RW43)





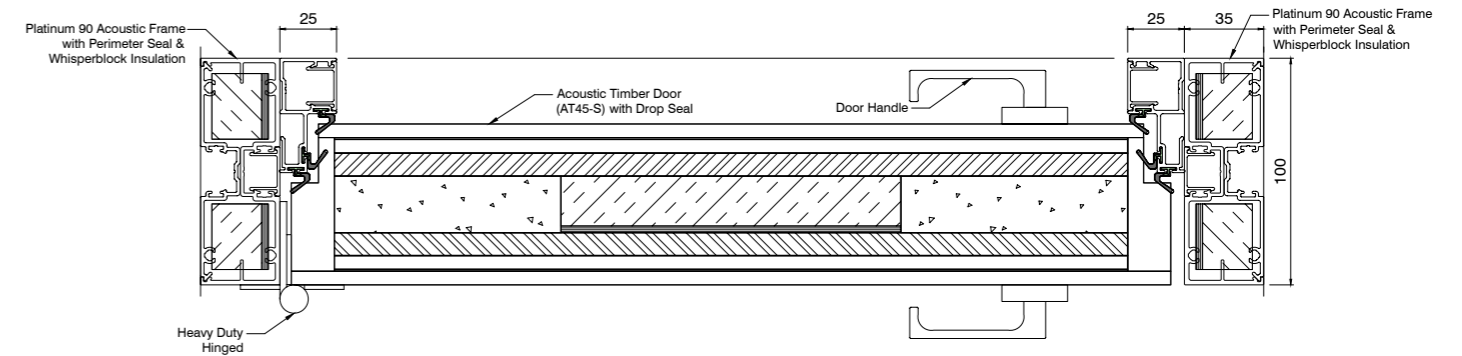
PLATINUM 90 FRAME

Silencio AT45 Acoustic Timber Door (RW47)



PLATINUM 90 FRAME

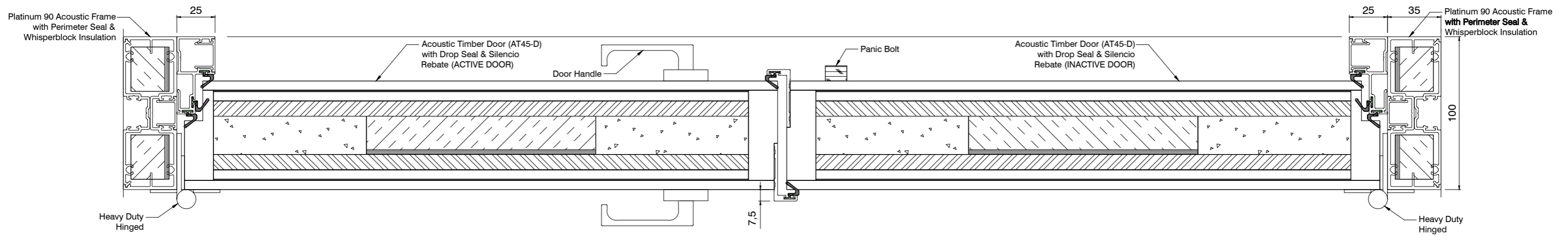
Silencio AT45-S Acoustic Timber door - Single (RW47)





PLATINUM 90 FRAME

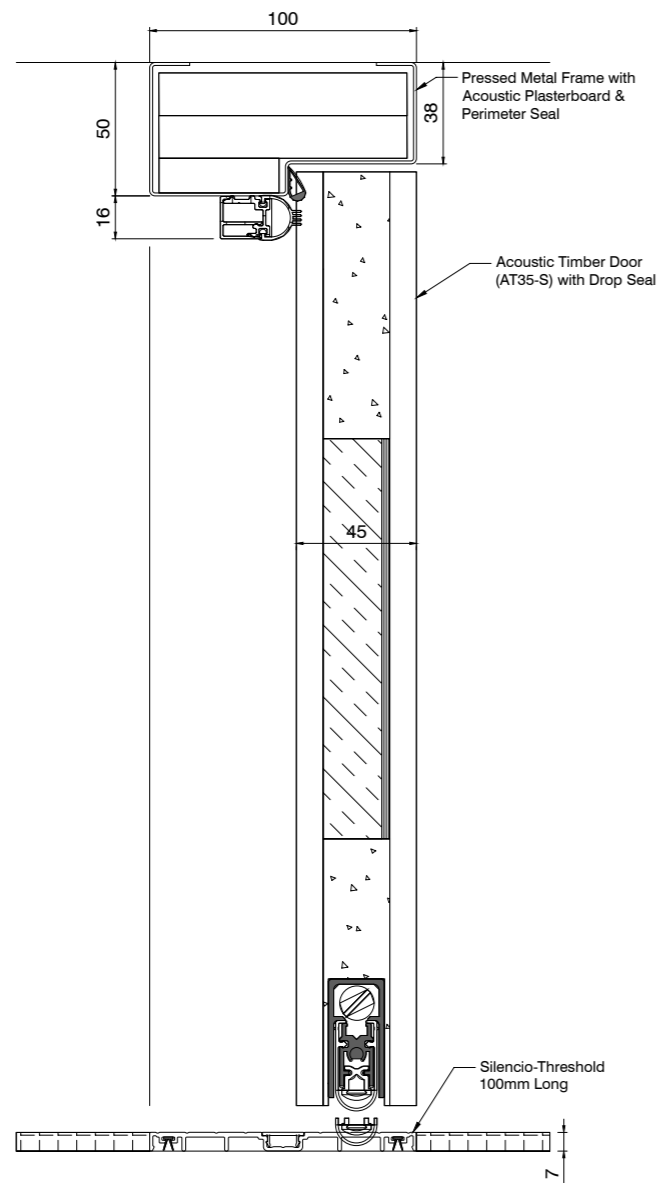
Silencio AT45-D Acoustic Timber door - Double (RW45)





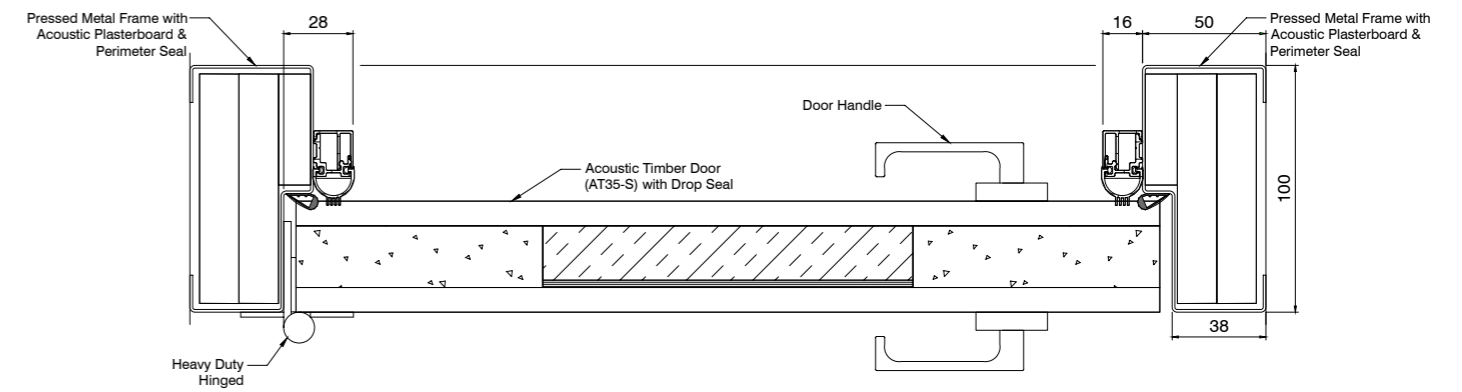
PRESSED METAL FRAME

Silencio AT35 Acoustic Timber Door (RW37)



PRESSED METAL FRAME

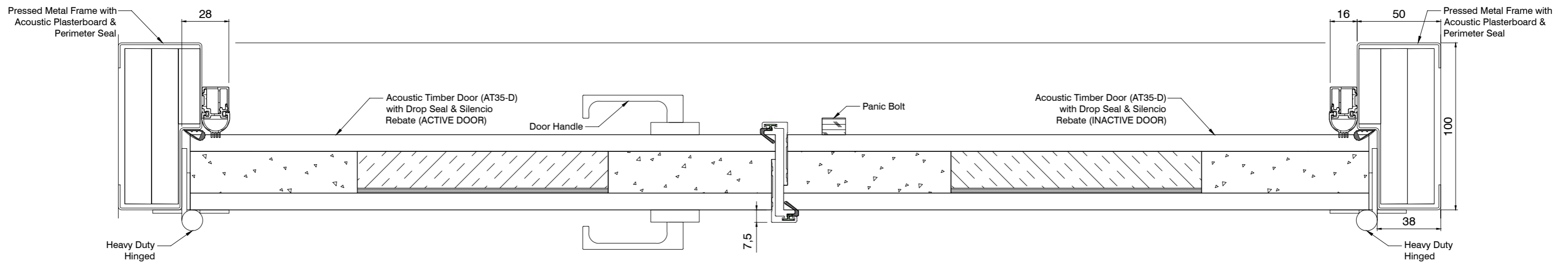
Silencio AT35-S Acoustic Timber door - Single (RW37)





PRESSED METAL FRAME

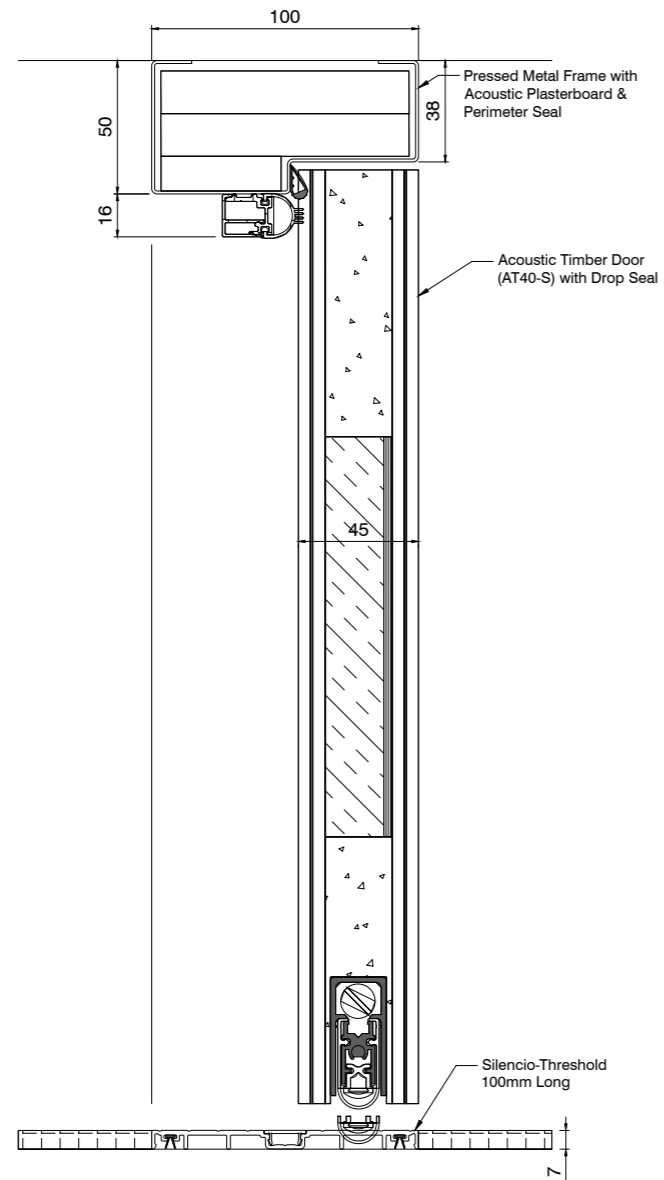
Silencio AT35-D Acoustic Timber door - Double (RW38)





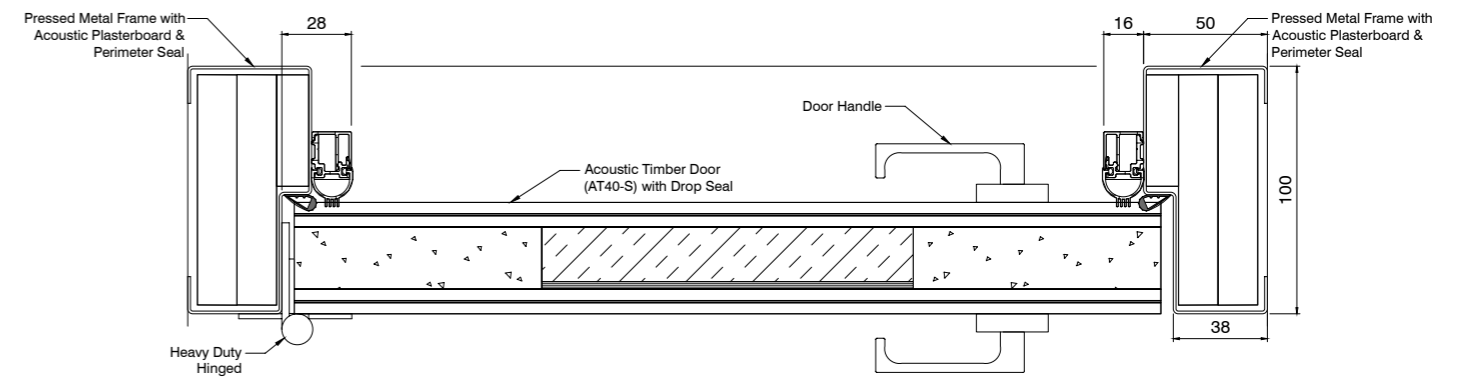
PRESSED METAL FRAME

Silencio AT40 Acoustic Timber Door (RW41)



PRESSED METAL FRAME

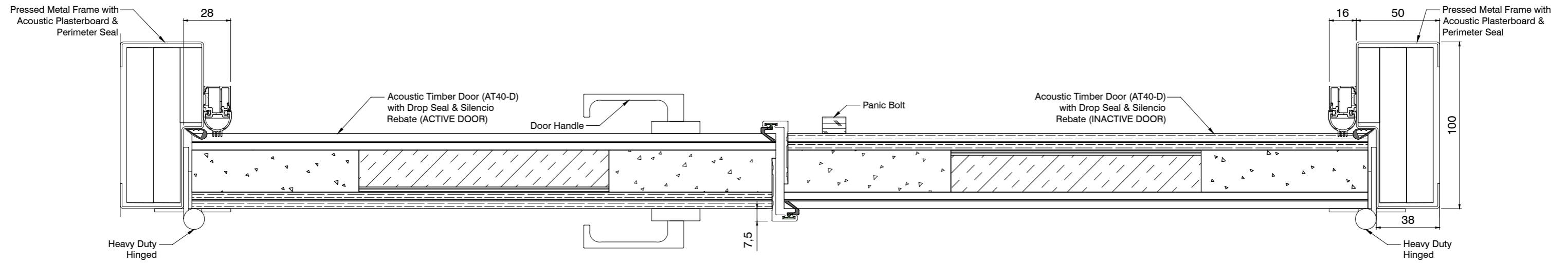
Silencio AT40-S Acoustic Timber door - Single (RW41)





PRESSED METAL FRAME

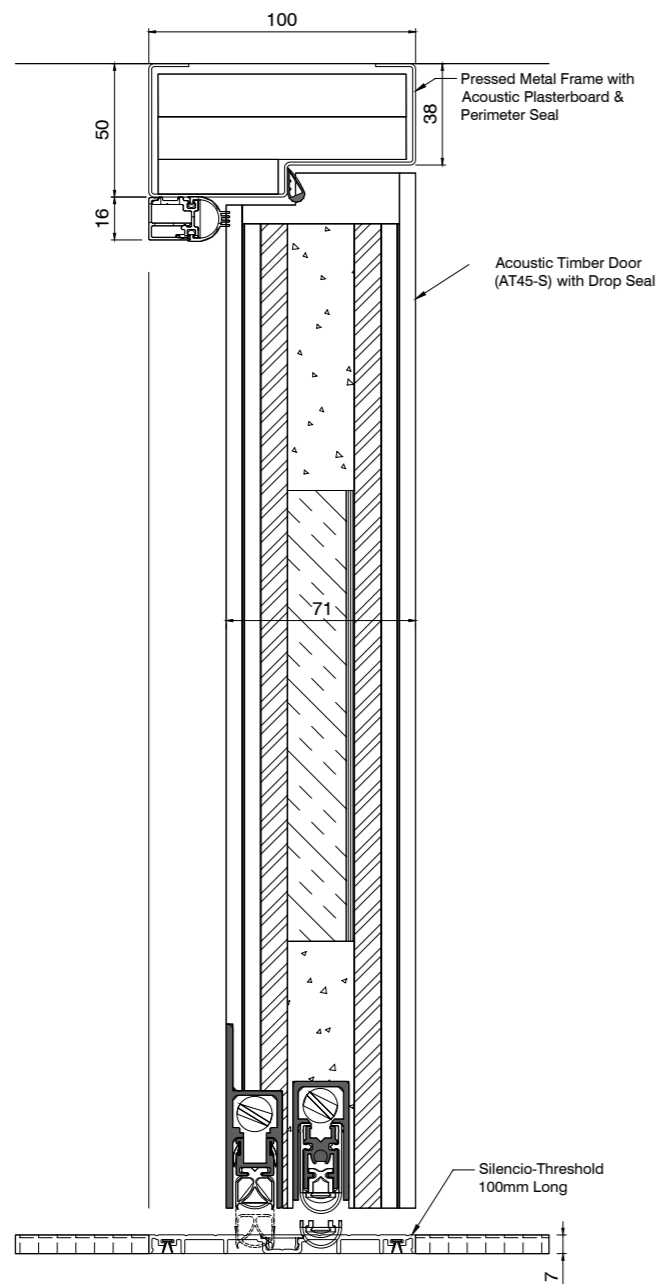
Silencio AT40-D Acoustic Timber door - Double (RW44)





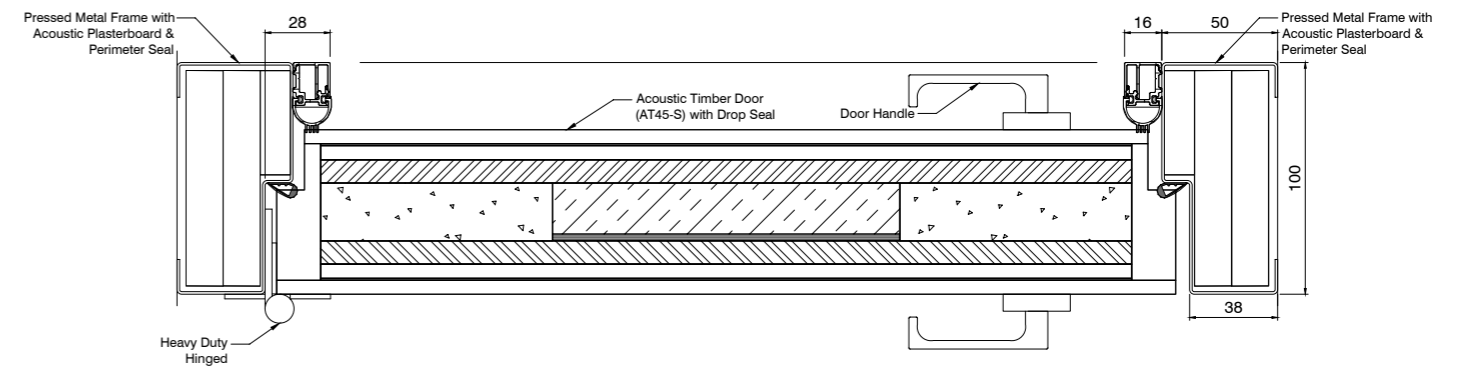
PRESSED METAL FRAME

Silencio AT45 Acoustic Timber Door (RW44)



PRESSED METAL FRAME

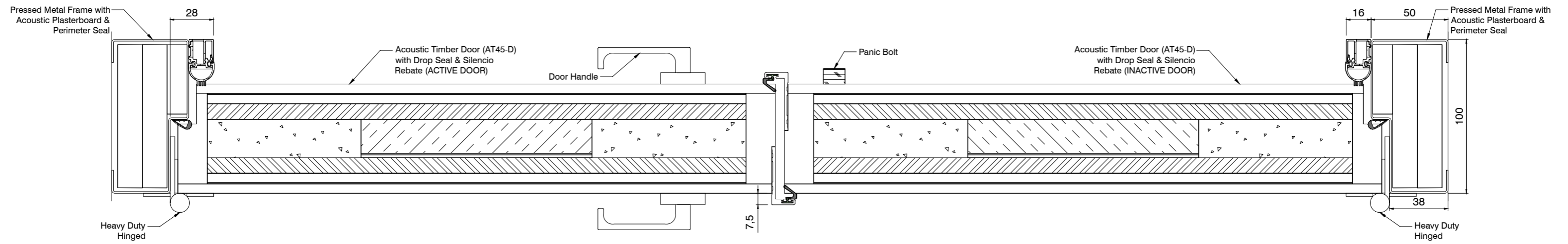
Silencio AT45-S Acoustic Timber door - Single (RW44)





PRESSED METAL FRAME

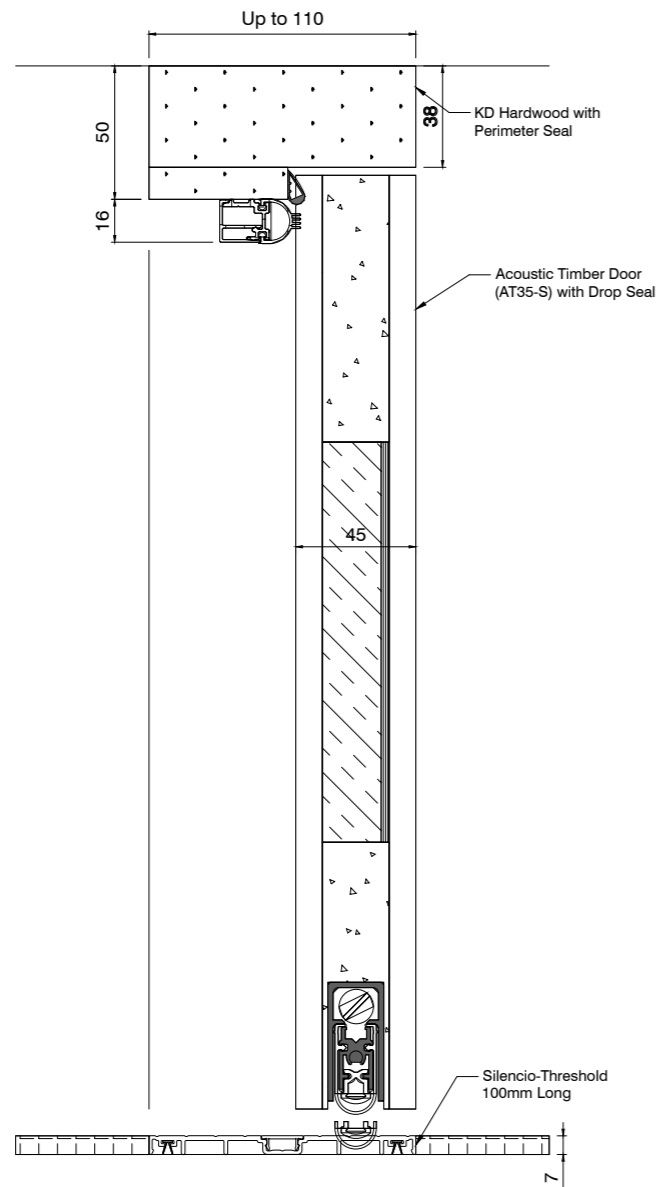
Silencio AT45-D Acoustic Timber door - Double (RW47)





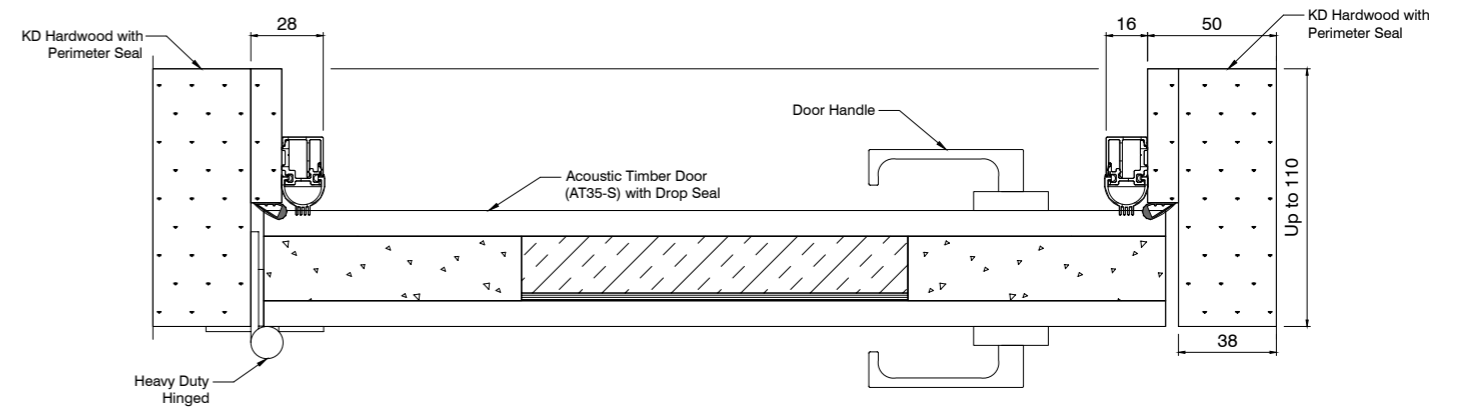
KD HARDWOOD

Silencio AT35 Acoustic Timber Door (RW38)



KD HARDWOOD

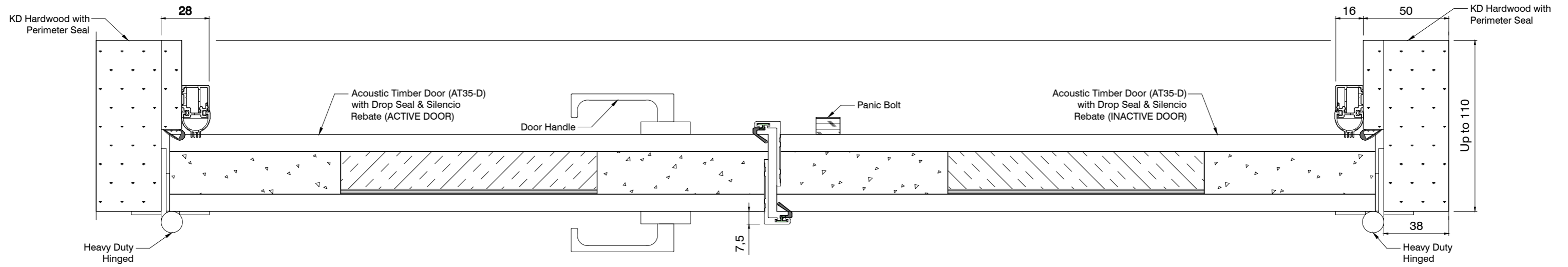
Silencio AT35-S Acoustic Timber door - Single (RW38)





KD HARDWOOD

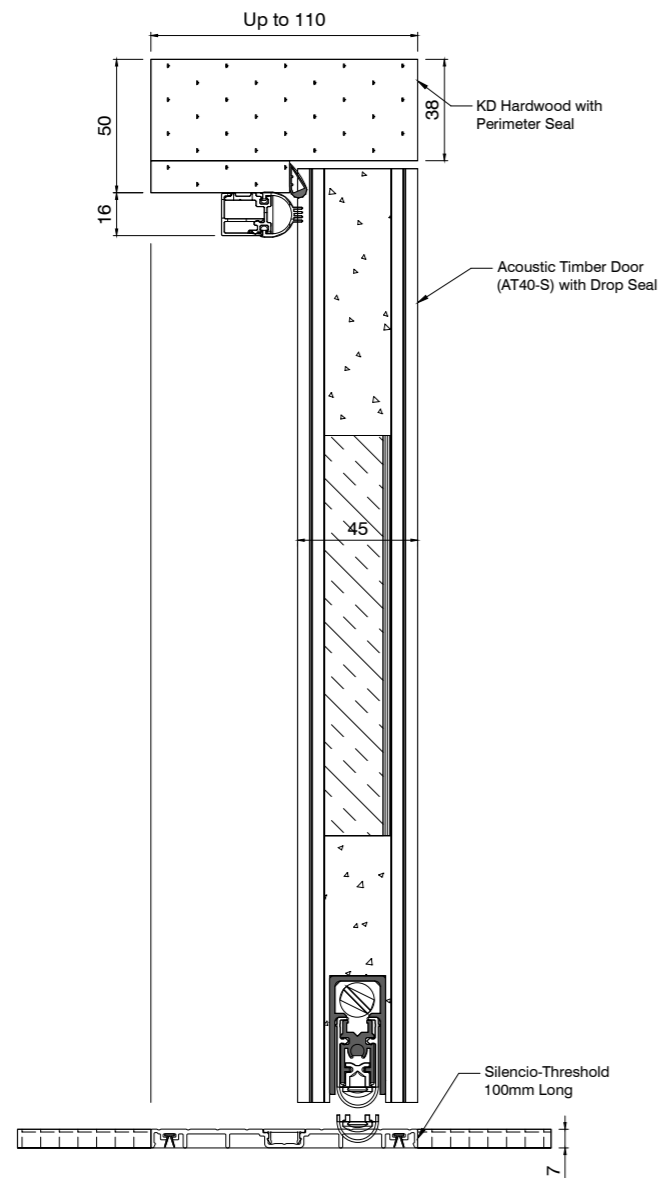
Silencio AT35-D Acoustic Timber door - Double (RW37)





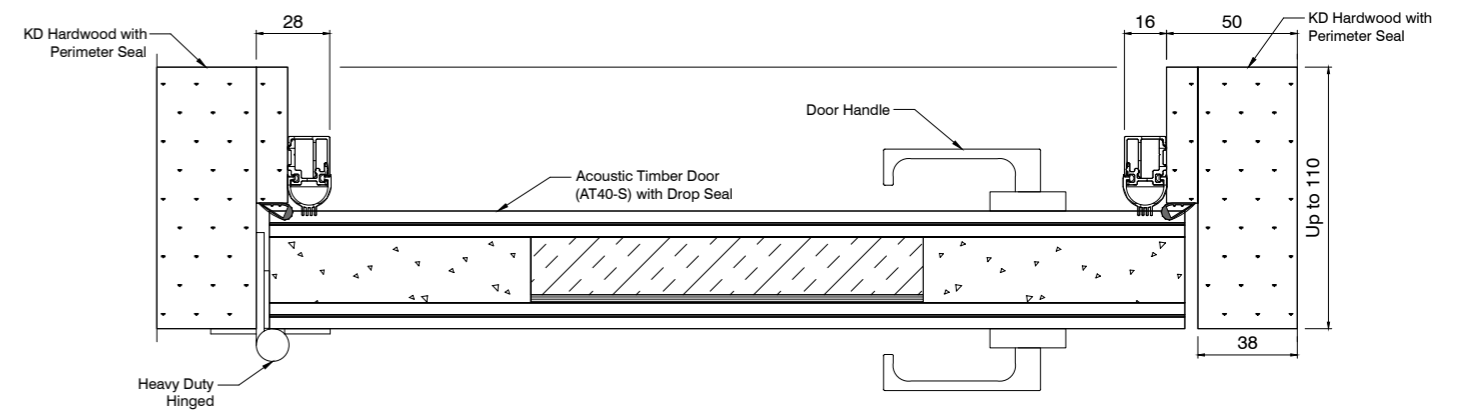
KD HARDWOOD

Silencio AT40 Acoustic Timber Door (RW44)



KD HARDWOOD

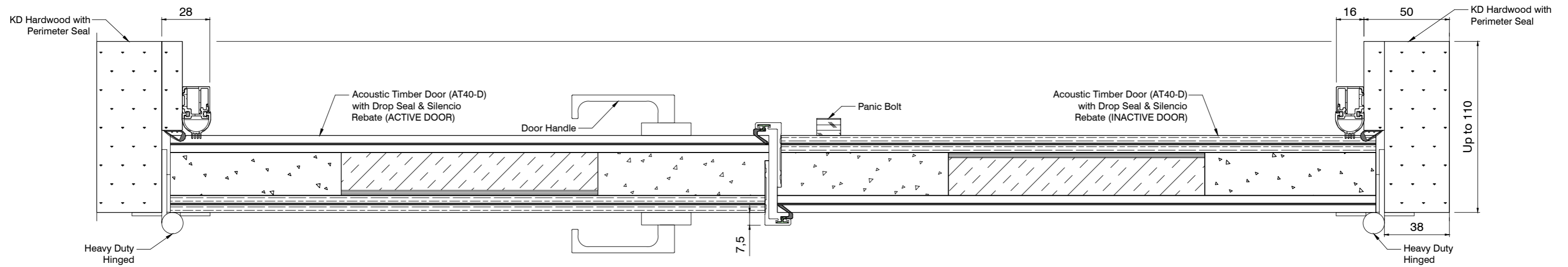
Silencio AT40-S Acoustic Timber door - Single (RW44)





KD HARDWOOD

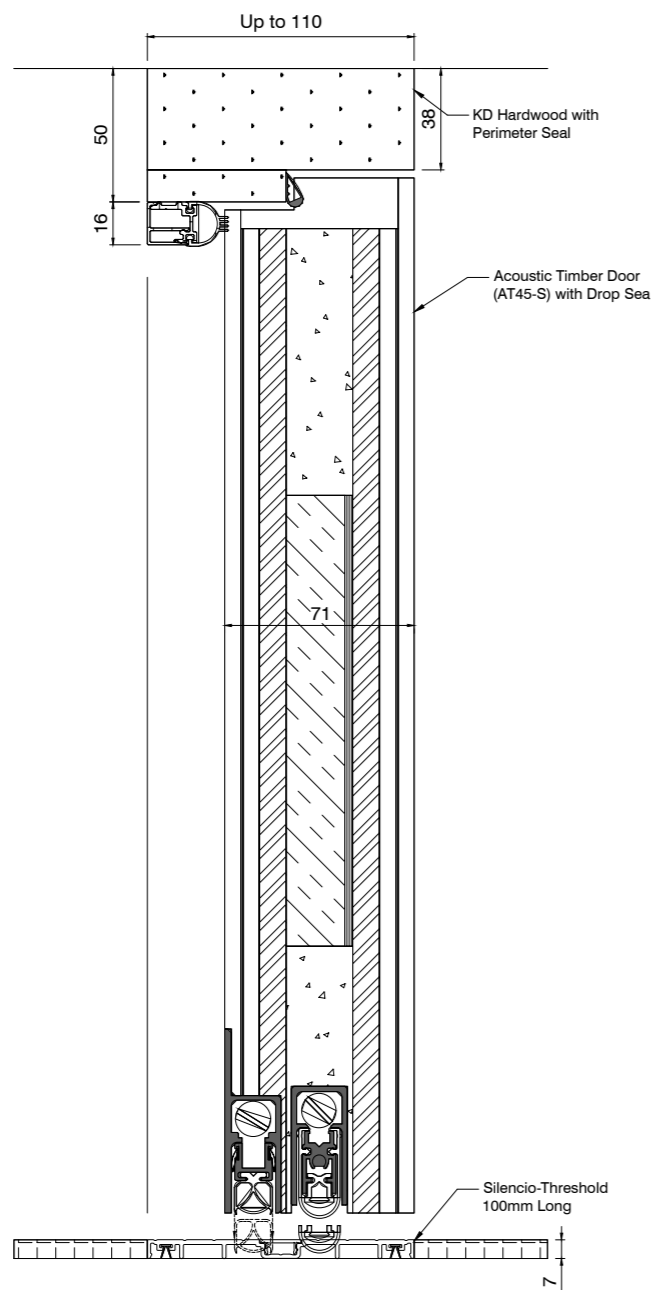
Silencio AT40-D Acoustic Timber door - Double (RW44)





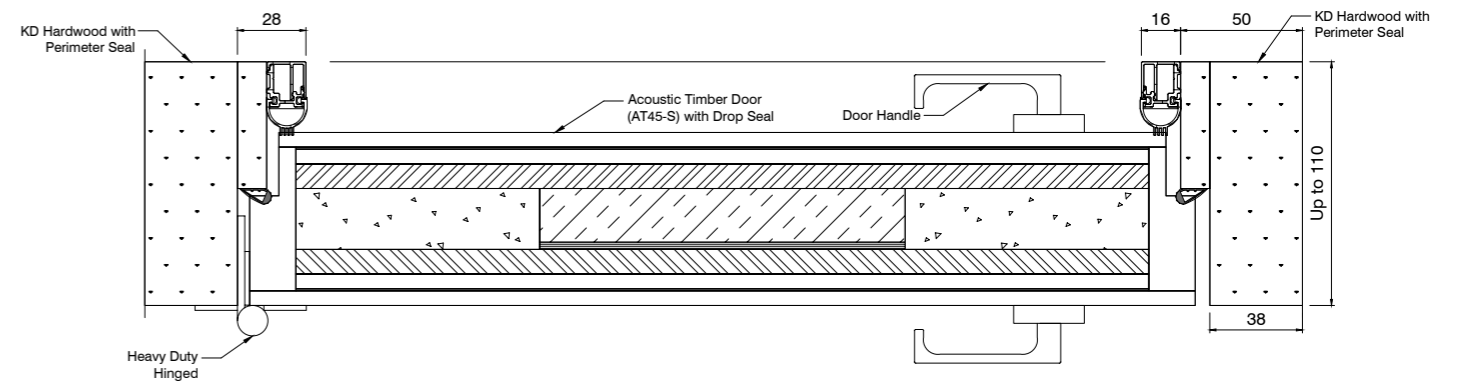
KD HARDWOOD

Silencio AT45 Acoustic Timber Door (RW45)



KD HARDWOOD

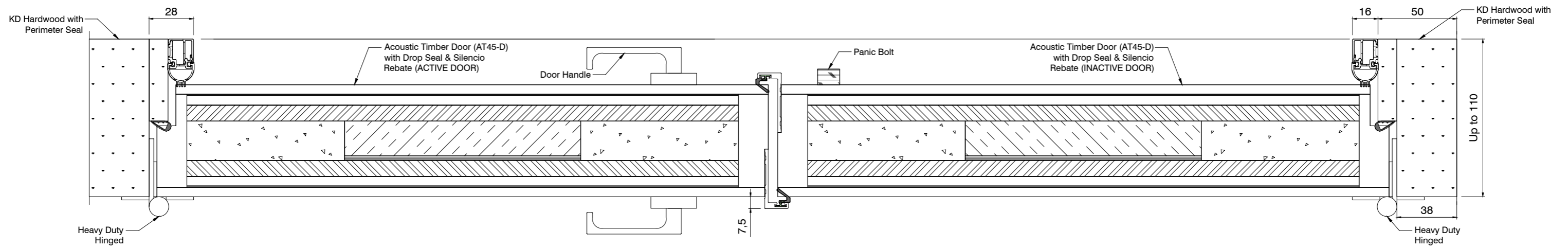
Silencio AT45-S Acoustic Timber door - Single (RW45)





KD HARDWOOD

Silencio AT45-D Acoustic Timber door - Double (RW45)



Celtic Cavity

The Celtic cavity unit is a premium cavity system designed for use throughout a wide variety of commercial spaces.

With aluminium reveals boasting a consistent 35mm outline, the Celtic system offers a modern solution for a wide variety of commercial settings.

The Celtic cavity provides a functional solution to maximise space within a commercial setting. With a focus on continuity, seamless transition between rooms and understated cohesion with other elements of wider interior design. The Celtic cavity encourages open and spacious working environments.

Precision-engineered to match 92mm studs and accommodate plaster depths of 10mm and 13mm, this system seamlessly blends with your architectural vision. Its adaptability extends to various floor coverings, from tiles to carpet and vinyl. The innovative Arctic track presents flexibility, supporting standard and low clearance rollers, with an optional soft-close feature. Remarkably, the system can handle door weights of up to 180Kg without Soft Close and 120Kg with soft close.

Now thanks to its cutting-edge aluminium split jamb design, The Celtic Cavity can now support doors up to 2400mm wide.

WHY CHOOSE CELTIC?

- + 35mm reveal
- + Door thickness 38mm Timber Doors
- + Door thickness 38mm Aluminium Doors
- + Weight capacity up to 180kg
- + Available in a range of colour finishes
- + Quick and easy installation

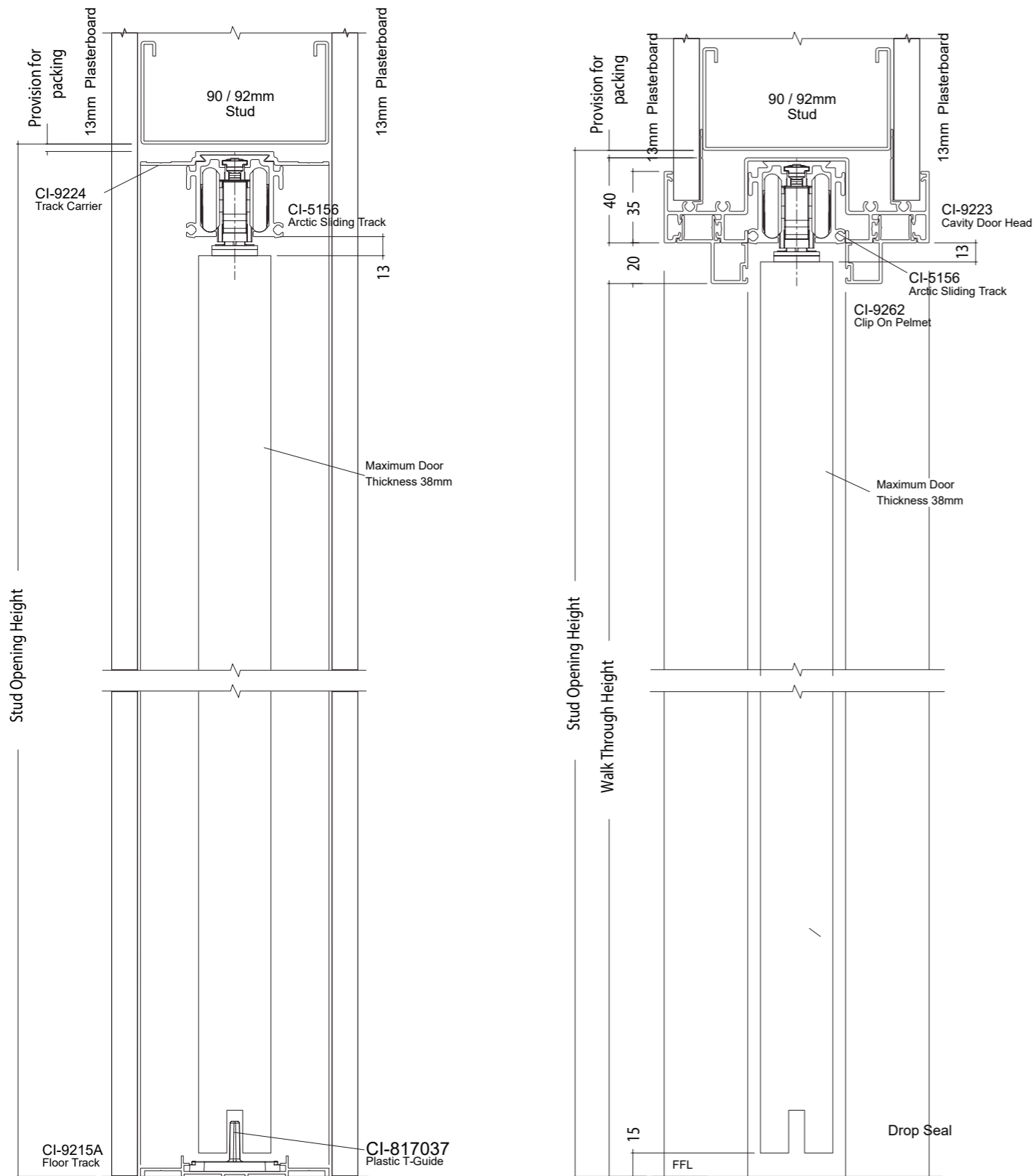
ROLLER OPTION

- + Standard Roller
- + Soft Close Standard Roller

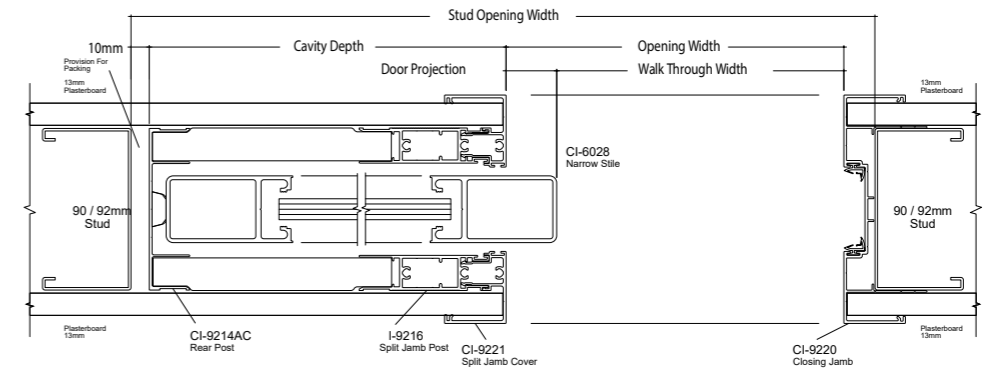




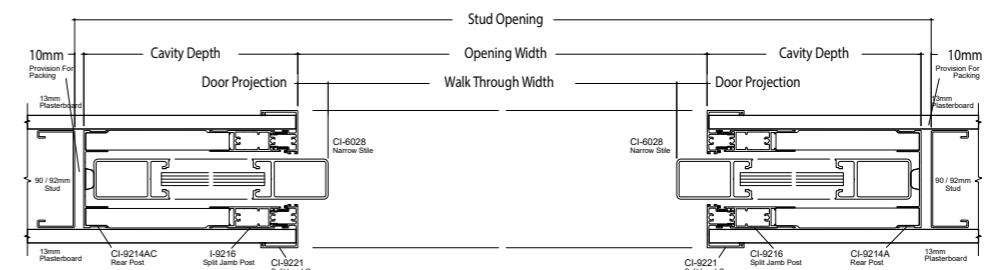
STANDARD ROLLER WITH PELMET DETAIL



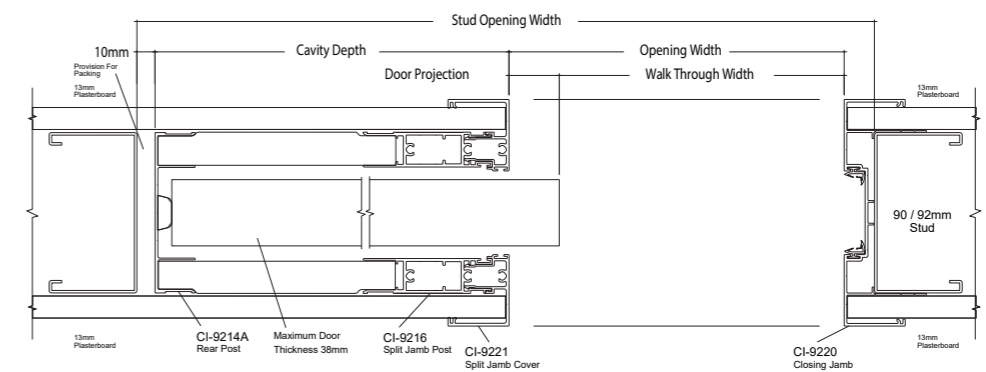
SINGLE DOOR - ALUMINIUM



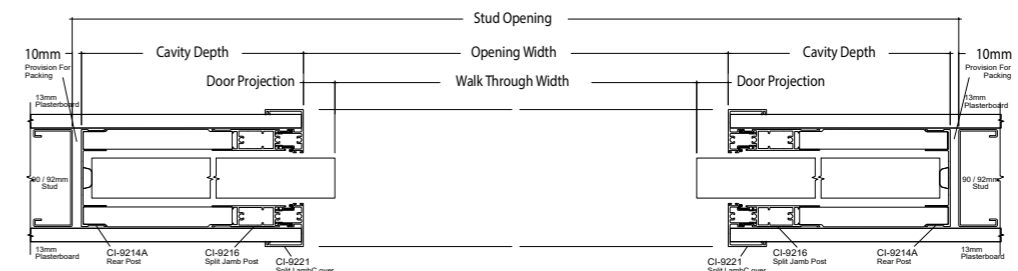
BI-PARTING DOOR - ALUMINIUM



SINGLE DOOR - TIMBER



BI-PARTING DOOR - TIMBER



Caspian Cavity

Introducing The Caspian by Criterion Industries – an innovative cavity sliding system that redefines the art of interior design. Meticulously crafted with style in mind, the Caspian sets a new standard for contemporary, versatile space-saving solutions.

Elevate your interior spaces with The Caspian Cavity Sliding System, experience unmatched versatility, refinement, and performance, transforming your living or working spaces into a retreat of modern elegance. Discover a new dimension of design possibilities with The Caspian – where form meets function in perfect harmony.

WHY CHOOSE CASPIAN?

- + Suits doors up to 40mm thick.
- + Oversized doors up to 3000mm x 2400mm.
- + Door weight capacity up to 180kg.
- + Soft close and low clearance options available.
- + Squareset options with either bulkhead or full height flush finish.

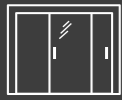
ROLLER OPTIONS

- + Standard Roller - 180kg
- + Low Clearance Roller - 180kg
- + Soft Close Standard Roller - 40kg or 80kg or 120kg
- + Soft Close Low Clearance Roller - 40kg or 80kg or 120kg

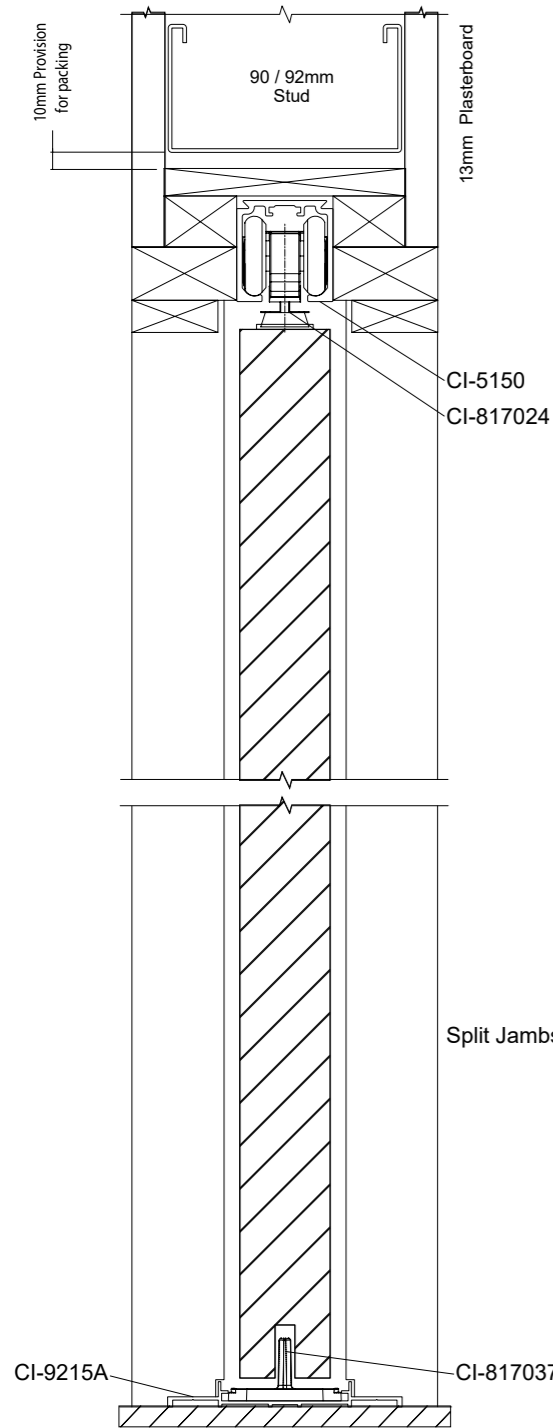
OPTIONAL EXTRAS

- | | |
|-----------------------------|---|
| Ezy-Reveal: | + 35mm Reveal Angle 3000mm |
| Rebated Closing Cap: | + 118mm Rebated Closing Cap 3000mm
13mm Plaster / 92mm Stud / 13mm Plaster |
| Steel Closing Cap: | + 112mm Ezy-Cap 3000mm
10mm Plaster / 92mm Stud / 10mm Plaster |
| | + 118mm Ezy-Cap 3000mm
13mm Plaster / 92mm Stud / 13mm Plaster |

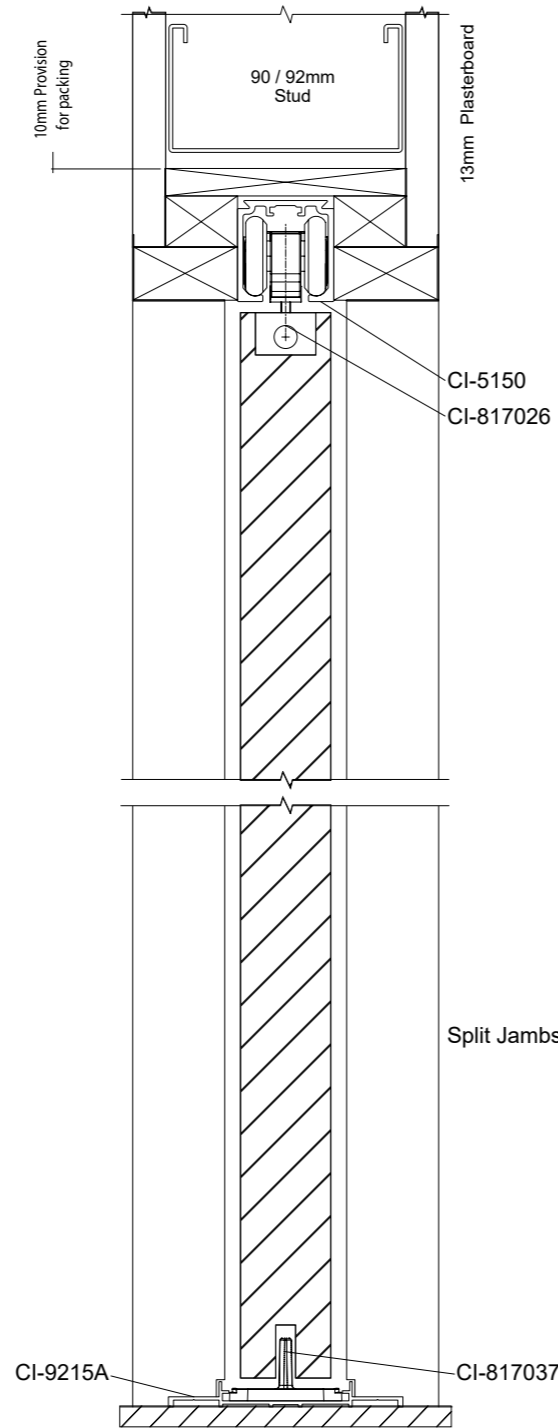




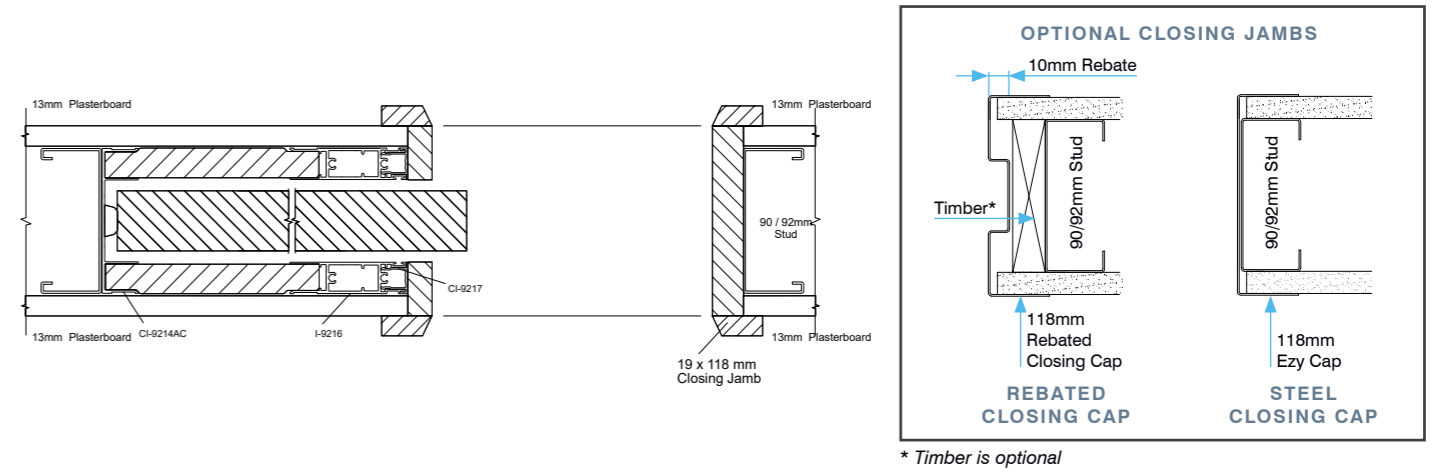
PELMET DETAIL



BULKHEAD DETAIL



SINGLE DOOR (13MM PLASTER)



BI-PARTING DOOR (13MM PLASTER)



ACOUSTIC CAVITIES

Silencio Celtic Cavity

WHY CHOOSE SILENCIO CELTIC?

- + Designed to perfectly match 92mm studs and accommodate plaster thickness of 10 & 13mm.
- + Arctic track - Supports door weights of up to 180kg with standard rollers, and 160kg with softclose.
- + Door widths reaching up 1800mm
- + Aluminium construction, allowing it to thrive in wet areas.
- + Plastic T-guide designed to ensure a seamless and straightforward installation process.

ACOUSTIC RATINGS

- + Single Cavity: RW41
- + Bi-parting: RW41

Silencio Caspian

WHY CHOOSE SILENCIO CASPIAN?

- + Door thickness: 40mm
- + Door weight capacity up to 180kg.
- + Soft close available.
- + Square set Reveal or timber reveal option
- + DDA Compliant with 180kg of door weight

ROLLER OPTIONS

- + Standard Roller - 180kg
- + Soft Close Standard Roller - 40kg or 80kg or 120kg or 160kg

ACOUSTIC RATINGS

- + Single Cavity - RW42
- + Bi-parting - RW41



CRITERION INDUSTRIES

Looking to discover more?

Contact us to book your
free demonstration:

www.criterionindustries.com.au



VIC

23 Scanlon Drive
Epping, VIC, 3076
T: 03 9355 0700

sales@criterionindustries.com.au

NSW

29 Killo Crescent
Glendenning, NSW, 2761
T: 02 9355 0700

sales.nsw@criterionindustries.com.au

WA

58 Tacoma Circuit
Canning Vale WA 6155
T: 08 9355 0700

sales.wa@criterionindustries.com.au

QLD

22 Holt Street
Eagle Farm QLD 4009
T: 07 3193 8990

sales.qld@criterionindustries.com.au

FRONT COVER: RENDER BY LUCA CROCE
BACK COVER: MCGRATHNICOL

Issued January 2024