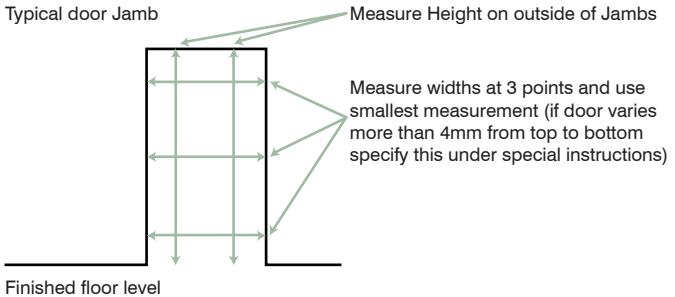


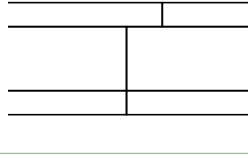
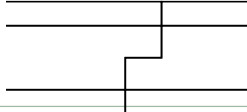
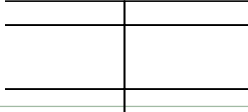
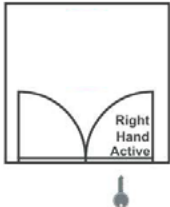
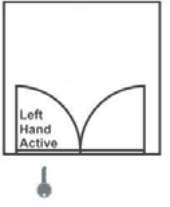






STANDARD MEASURING AND MANUFACTURING DETAILS	
Door width	Daylight Width - 9mm
Double door width	Daylight Width - 13mm (4mm each side for hinges and 5mm gap between meeting stiles)
Door height	Daylight Height - 13mm off Finished Floor Level (3mm from the top and 12mm from base) - X (allowances for Floor Finishes)
Standard handle height	1000mm to centre of lever from base of door
Standard machining details	Cylinder Hole is always machined to outside of door unless otherwise specified
Method of measuring door openings	<p>Typical door Jamb</p>  <p>Measure Height on outside of Jamb</p> <p>Measure widths at 3 points and use smallest measurement (if door varies more than 4mm from top to bottom specify this under special instructions)</p> <p>Finished floor level</p>



OPTI-LITE & VENT FLOW	OPTILITE	VENT FLOW
		
Stock sizes	200 x 900mm 200 x 1700mm 300 x 200mm 600 x 200mm 600 x 300mm 600 x 600mm 600 x 900mm	300 x 150mm 600 x 150mm 600 x 200mm 600 x 250mm 600 x 300mm 600 x 450mm 600 x 600mm



FINISHING OPTIONS	DOOR THICKNESS	TYPE	SKIN
Description	32mm	Light Weight	Raw MDF
	35mm	Heavy Weight	Duracoat (WA)
	38mm	Solid Core	Primecoat (WA)
	39mm	Blank/Slab (NSW Only)	Masonite
	40mm	Foam Core	
	44mm	Whisper Series 44mm Acoustic	


REBATE OPTIONS	OFFSET SQUARE	CENTRE SQUARE	PLAIN
			
Availability	Type: Solid Core Heavy Weight External Grade Thickness: 38mm 39mm 40mm 44mm	Type: Solid Core Heavy Weight External Grade Thickness: 35mm 39mm 44mm 38mm 40mm	Type: Light Weight Thickness: 32mm 38mm 40mm 35mm 39mm 44mm


HANDING OPTIONS	RHAOA	LHAOA
		
Description	Right Hand Active Opening Away	Left Hand Active Opening Away

LOCK/HANDLE	TUBULAR LATCH	A0901 LOCKWOOD ENTRANCE SET	STANDARD BACKSET MORTICE LOCK	NARROW BACKSET MORTICE LOCK	ROLLER BOLT
					
Description	Prep for Tubular Latch	Prep for A0901 Lockwood Entrance Set	Prep for Standard Hinged Mortice	Prep for Narrow Backset Mortice	Prep for Roller Bolt

SEALS	STANDARD IS8010/RP8 BOTTOM SEAL	HEAVY DUTY IS8100/RP70 BOTTOM SEAL
		
Description	Prep for IS8010/RP8 Seal	Prep for IS8100/RP70 Seal

DOOR CLOSER	TRANSOM CLOSER	FLOOR SPRING
		
Description	Prep for Overhead Transom Closer	Prep for Floor Spring

FLUSH BOLT	
	
Description	Prep for Flush Bolt

ADDITIONAL MACHINING	ELECTRONIC TRANSFER SPRING
	
Description	Prep for Transfer Spring