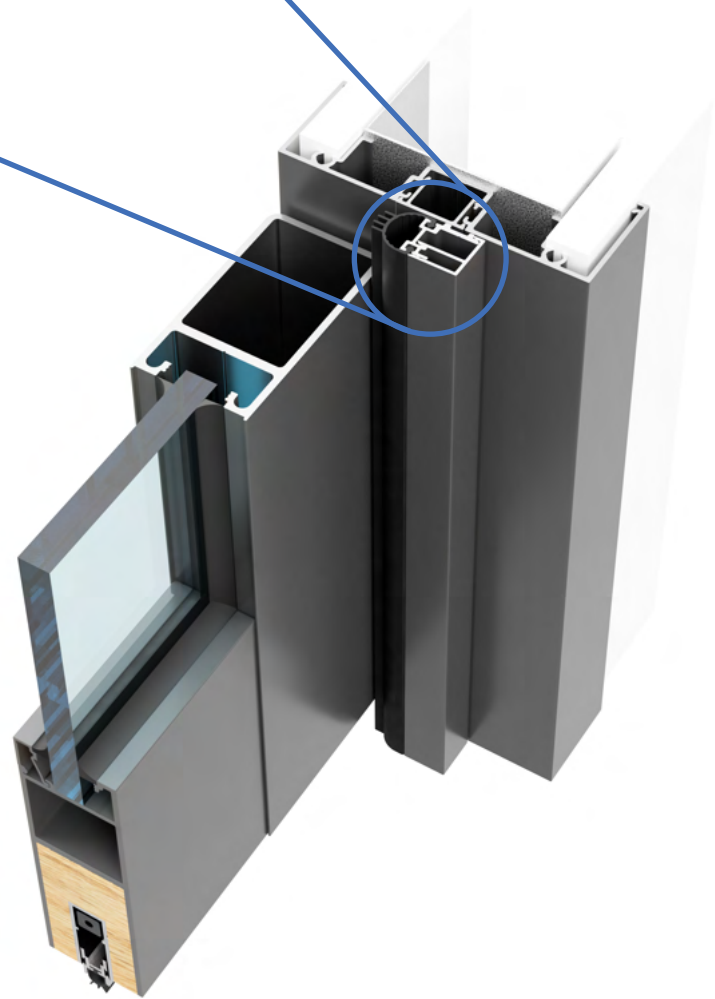
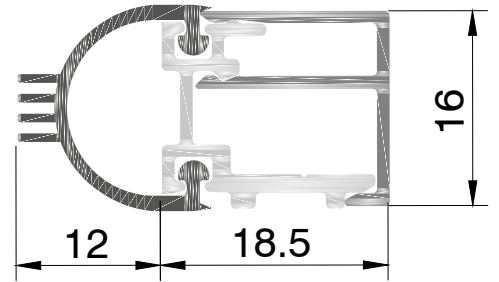
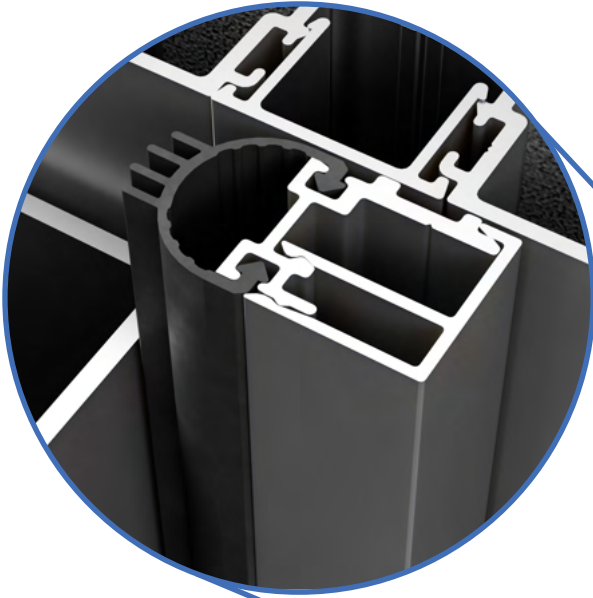


CI-S40 ACOUSTIC PERIMETER SEAL



CI-S40 PERIMETER SEAL

The Criterion CI-S40 Acoustic Perimeter Seal is an effective acoustic door stop which can be installed to a door jamb in lieu of a clip in door stop (where frames are non fire-rated).

CI-S40 can be butt jointed or mitred for a neat finish.

This seal can be screwed to frame and adjusted to allow an excellent precise fit. (screws supplied)

The cover clip can be clipped on at the end of a project so no risk of damage while trades are working around the door frame.



PATENT PENDING

CI-S40 ACOUSTIC PERIMETER SEAL



CI-S40 PERIMETER SEAL

DOOR SET AVAILABILITY

- + Long Single – 1 x 1000mm, 2 x 3000mm
- + Long Double – 1 x 2000mm, 2 x 3000mm

STOCKED COLOURS

- + Natural Anodised
- + Satin Black Powdercoat
- + Satin White Powdercoat

Other Powdercoat colours available on request

GAP SIZE FOR DOOR

- + Minimum 0mm - Maximum 10mm

GASKET SEAL

- + Black UV resistant Santoprene thermoplastic vulcanizate PVC Acoustic Seal
- + Also available in grey - SPECIAL ORDER

ACOUSTIC PERFORMANCE

Door tested with CI-S40 Seal	Acoustic rating	Acoustic report #
Acoustic timber door - 33	Rw 33	Acoustic test TL773-04
Acoustic timber door - 40	Rw 40	Acoustic test TL773-02

The test was carried out to Australian Standard AS1191-2002, Acoustics - Method for Laboratory Measurement of Airborne Sound Insulation of Building Elements as described in this report. The results of the measurements have been rated in accordance with the Australian / International Standard AS / ISO 717-1:2004 Acoustics – Rating of sound insulation in buildings and of building elements – Part 1: Airborne Sound Insulation

