

# CI-S40 ACOUSTIC PERIMETER SEAL



## Installation Instructions

### Notes:

- It is recommended that door is fitted to door jamb prior to fitting of perimeter seal.
- Perimeter seal can be butt-jointed or mitred at corners.

Patented Design: D12113.Au

### Step 1:

Remove contents from packaging and ensure all items are free of any damage or imperfections.

### Step 2:

Measure door opening head width (top) and door opening height (sides) of door Jamb to determine lengths required.

Note: For Butt joining - top head fits between verticals

### Step 3:

Prior to cutting aluminium sections, slide seal back. Snap cover clip onto seal carrier and cut head and sides to required length. Slide seal back into position and cut to length with knife, etc.

### Step 4:

Unclip seal carrier and corner clip. Place door into closed position and position seals into place.

### Step 5:

Compress seals appropriately into back of closed door and mark slotted hole locations onto door Jamb. Ensure corner joins are properly aligned.

### Step 6:

Release door and drill Pilot holes with 2.5mm diameter drill bit.

### Step 7:

Lightly screw fix each section into position through slotted holes.

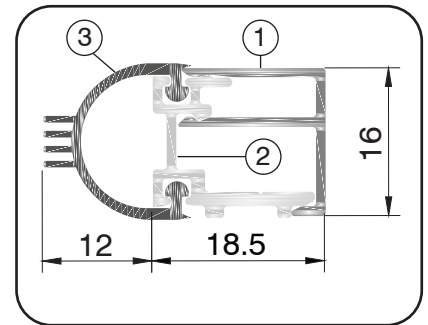
### Step 8:

Place door back into closed position. Check position of seals, ensuring uniform seal around door and then fully tighten screws.

Note: Applying too much pressure on seal to back of door may cause door to bind and impede operation of door. 1-2mm compression is recommended.

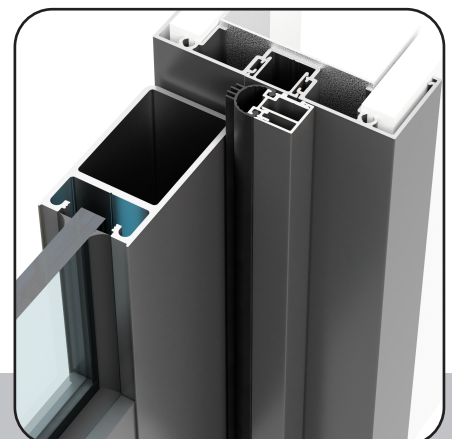
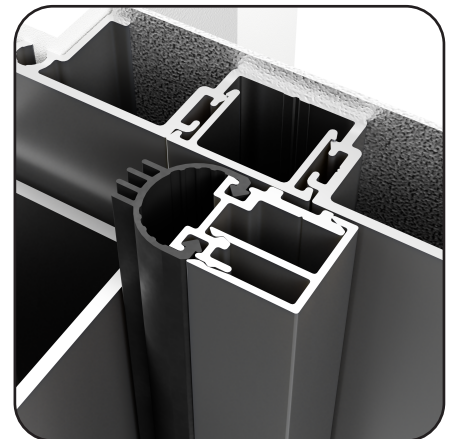
### Step 9:

Snap corner clip back onto seal carrier.



### Contents:

- Aluminium Seal carrier (2)
- Aluminium cover clip (1)
- Rubber gasket (3)
- Bag of fixing screws
- Installation instructions



**THANK YOU FOR CHOOSING CRITERION!**