

# **Miami 120 Counter Window**

**Installation  
Instructions**

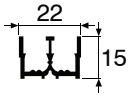
## Section Profiles

---

SECTION IMAGE

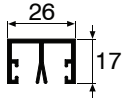
DESCRIPTION

---



CI-5355 Double Track (Ball Bearing)

---



CI-5360 Double Head Guide (Ball Bearing)

---



4.8mm Door Seal

---



6.35mm Stainless Steel Balls

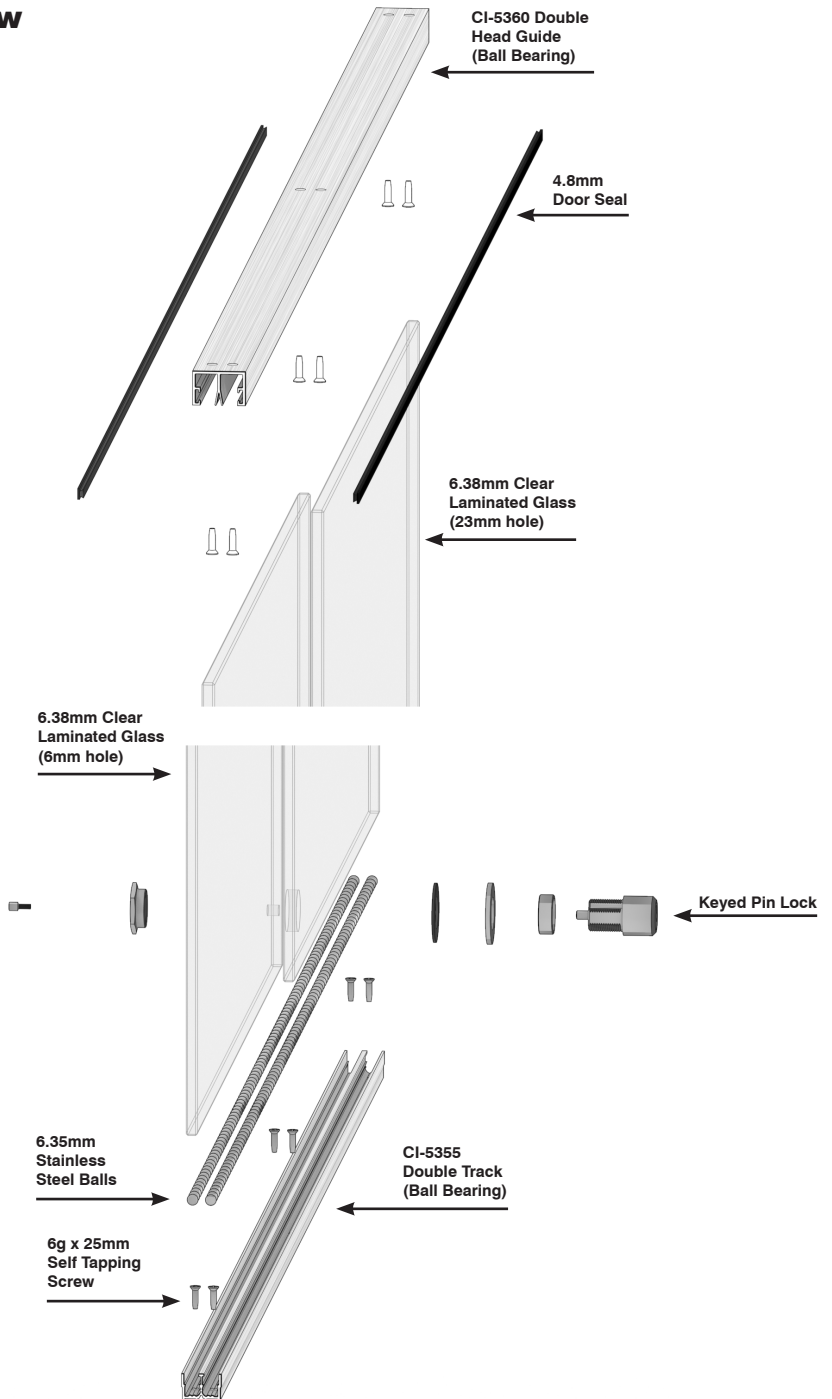
---



Keyed Pin Lock

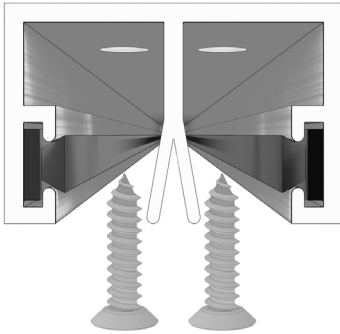
---

# Overview



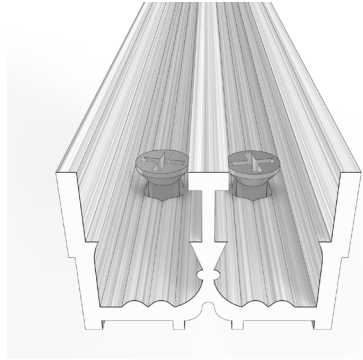
# Installation Instructions

## Step 1



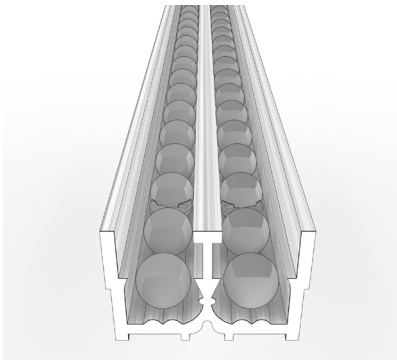
Fix the head guide to the top of opening. It's recommended to use two screws on each end and in the center (4mm diameter pre-drill required). Slide the door seal into each side as shown.

## Step 2



Fix the double track to the bottom of opening. It's recommended to use two screws on each end and in the center (4mm diameter pre-drill required).

## Step 3



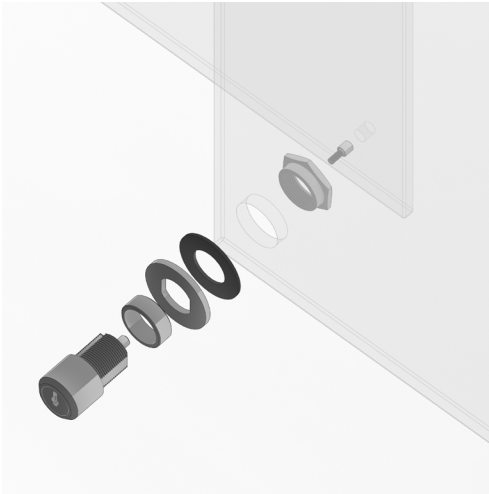
Slide the steel balls into the Double Track. It's recommended to use 92 balls per meter channel.

## Step 4



Fit the glass. The panel with the 23mm hole is fitted on the inside and the panel with the 6mm hole is fitted on the outside.

## Step 5



Install the keyed Lock assembly. Do not over-tighten the step nut. Check pin alignment to 6 mm hole by locking and unlocking (when in closed position).





**VIC**

23 Scanlon Drive  
Epping, VIC, 3076  
T: 03 9355 0700

[sales@criterionindustries.com.au](mailto:sales@criterionindustries.com.au)

**NSW**

95 Victoria Street  
Smithfield, NSW, 2164  
T: 02 9355 0700

294-298 Norton Street  
Leichhardt NSW, 2040  
T: 02 9568 2988

[sales.nsw@criterionindustries.com.au](mailto:sales.nsw@criterionindustries.com.au)

**WA**

58 Tacoma Circuit  
Canning Vale WA 6155  
T: 08 9355 0700

[sales.wa@criterionindustries.com.au](mailto:sales.wa@criterionindustries.com.au)

**QLD**

22 Holt Street  
Eagle Farm QLD 4009  
T: 07 3193 8990

[sales.qld@criterionindustries.com.au](mailto:sales.qld@criterionindustries.com.au)