

# **Atlantic Sliding System**

**Installation  
Instructions**



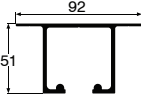
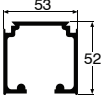
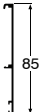
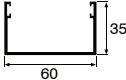
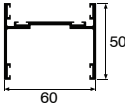
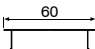
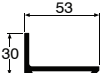

# Contents

---

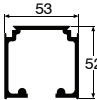
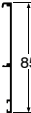
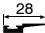
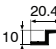
SECTION	PAGE
<b>Section Profiles</b>	
<b>Atlantic Sliding System</b>	<b>4</b>
<b>Atlantic Overtaking Sliding System</b>	
<b>Installation Instructions</b>	
<b>Atlantic Sliding Track</b>	<b>5</b>
<b>Atlantic Sliding Track - With Pelmet</b>	<b>6</b>

---

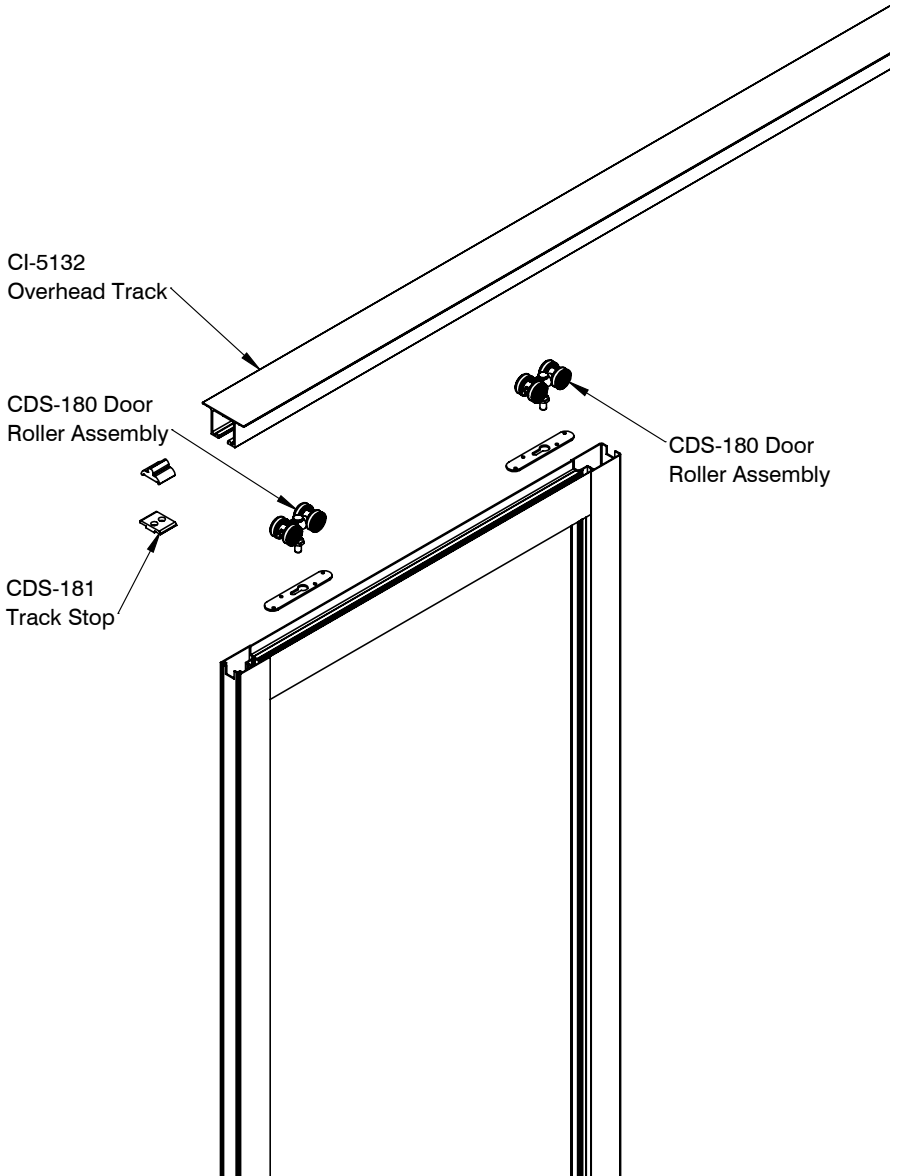
# Atlantic Sliding System

SECTION IMAGE	DESCRIPTION
	CI-5132 Overhead Track
	CI-5140 Overhead Track
	CI-5141 Pelmet
	CI-5112 Door Guide
	CI-5114 Sliding Door Receiver
	CI-5115 Receiver Capping
	CI-5155 Track Mounting Bracket
	25 x 25 x 3.0mm T-Section

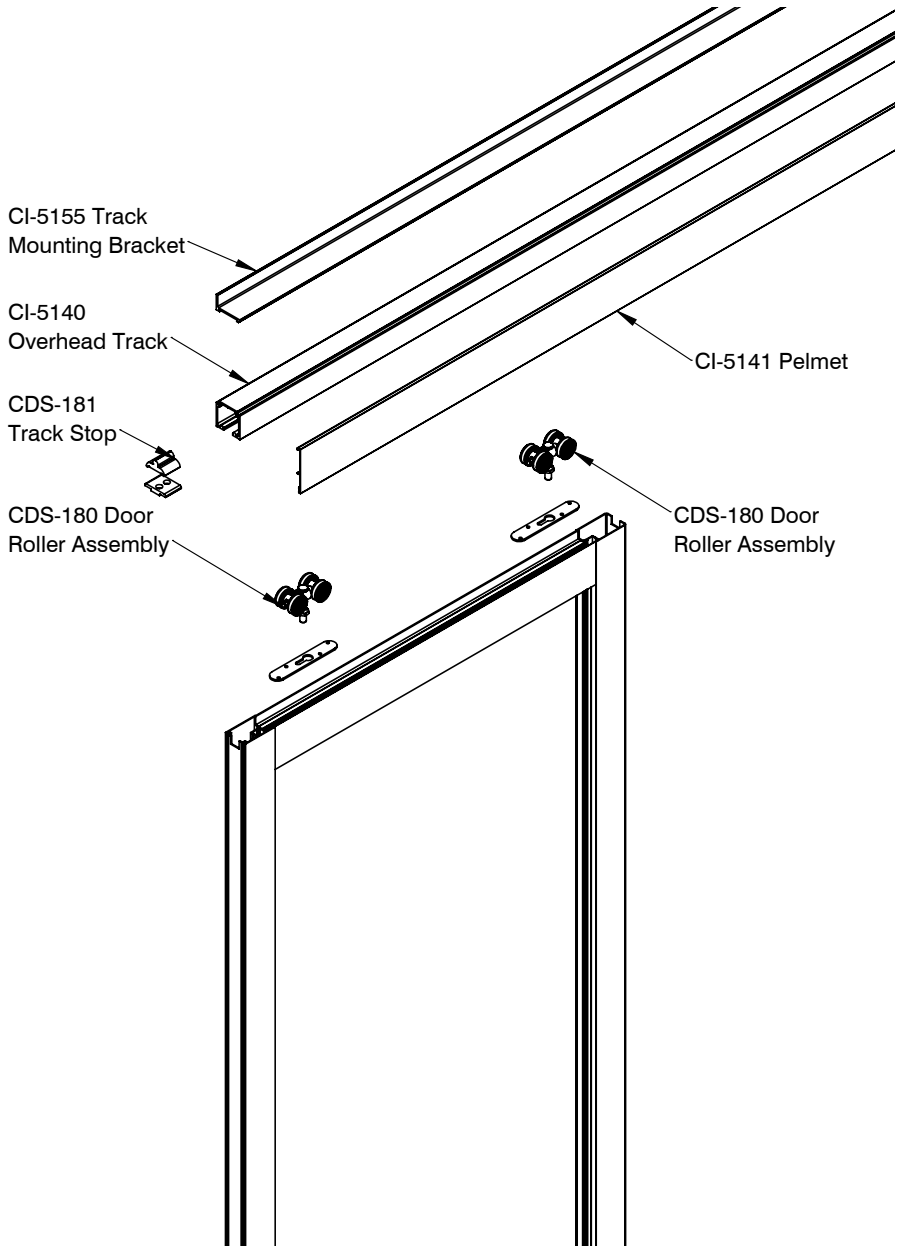
# Atlantic Overtaking Sliding System

SECTION IMAGE	DESCRIPTION
 A cross-sectional diagram of a U-shaped track. The top width is labeled as 53. The height from the top edge to the bottom edge is labeled as 52. The bottom edge has two small protrusions.	CI-5140 Overhead Track
 A vertical rectangular profile with a slightly wider top edge. The height is labeled as 85.	CI-5141 Pelmet
 A small L-shaped profile. The horizontal width of the top part is labeled as 28.	CI-5091 Interlock Adaptor
 A small L-shaped profile with an offset. The horizontal width of the top part is labeled as 20.4. The vertical height of the bottom part is labeled as 10.	CI-5094 Offset Interlock Adaptor

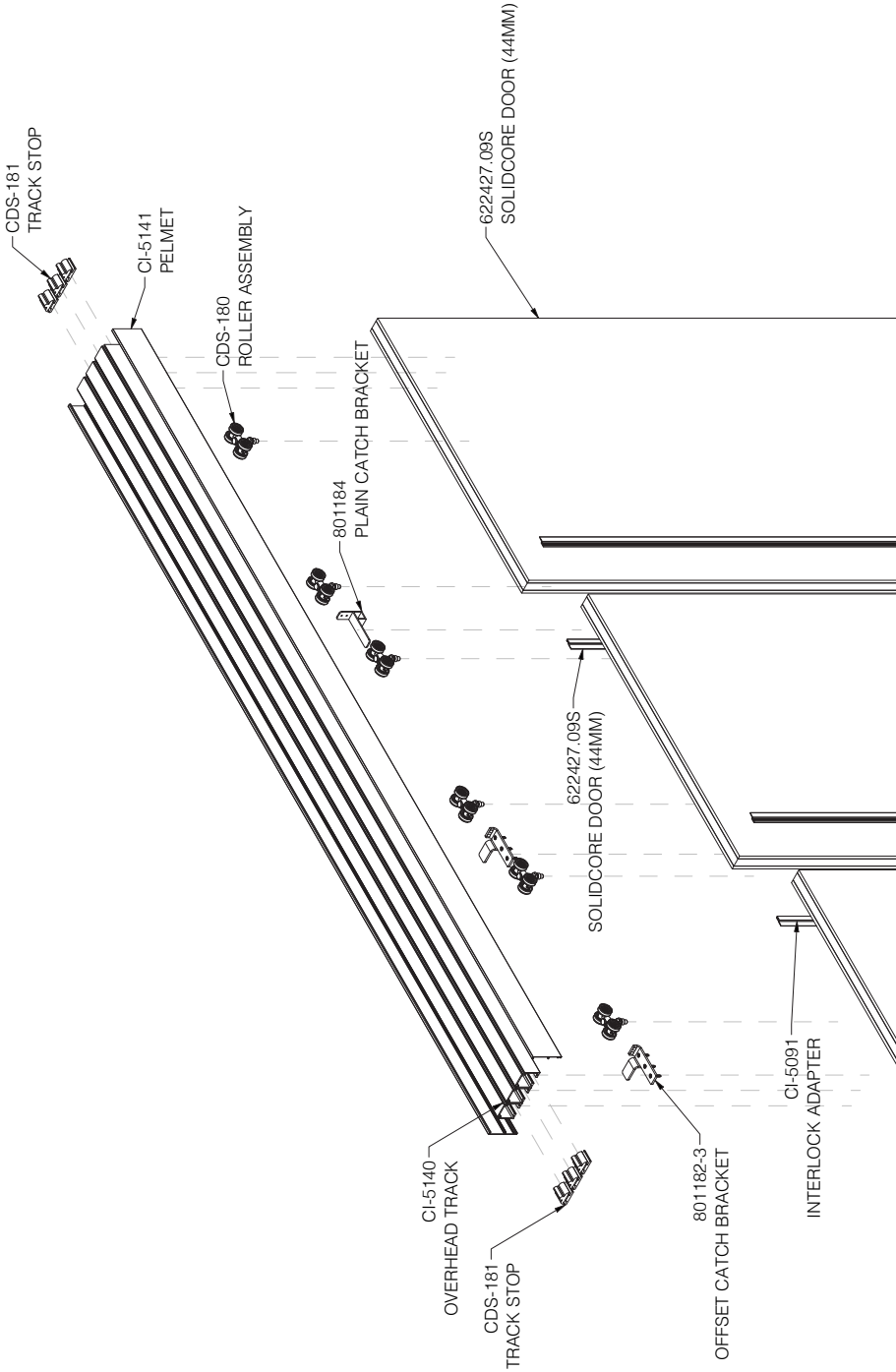
# Atlantic Sliding Track



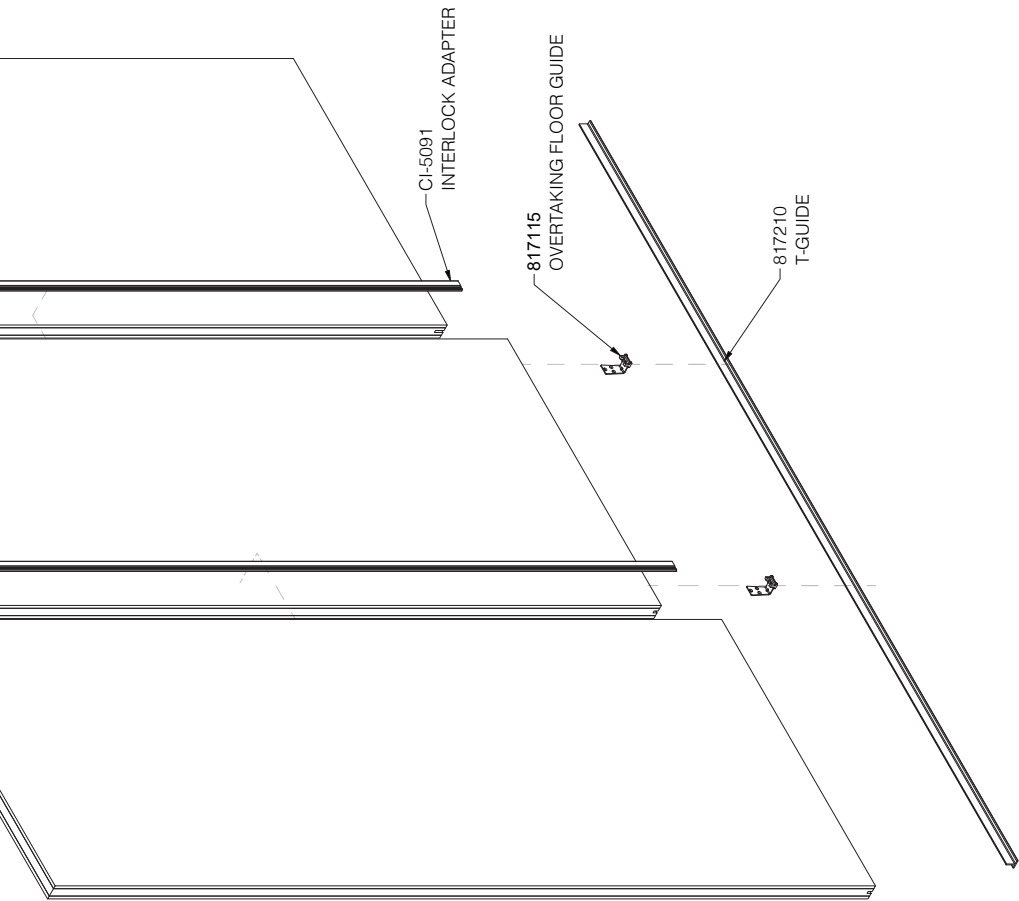
# Atlantic Sliding Track - With Pelmet



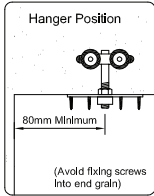
# Atlantic Overtaking



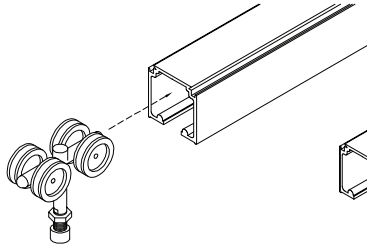




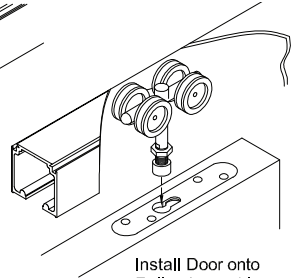
# Door Roller Installation



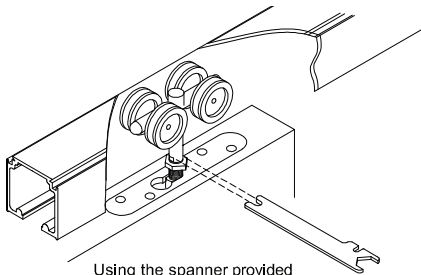
**Figure 2**  
HANGERS MUST BE INSERTED INTO OVERHEAD TRACK PRIOR TO ASSEMBLING UNIT



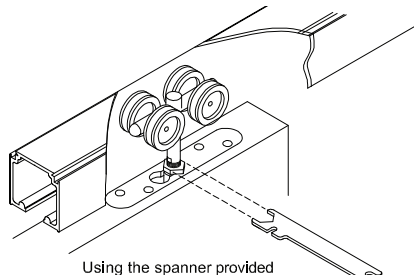
Insert Roller Assembly into Track



Install Door onto Roller Assembly

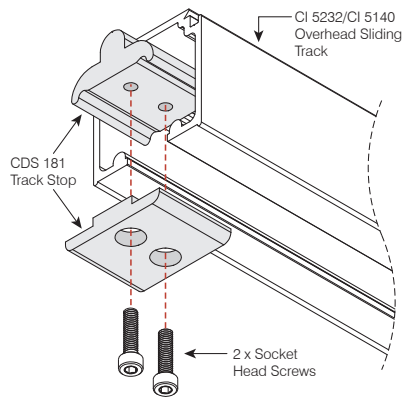


Using the spanner provided adjust the shaft of the Roller Assembly to adjust Door to required height



Using the spanner provided adjust the shaft nut of the Roller Assembly to lock Door into required position

# Track Stop Installation



Clamp either side as shown above.  
Slide door stops to correct position  
and tighten screws



**VIC**

23 Scanlon Drive  
Epping, VIC, 3076  
T: 03 9355 0700

[sales@criterionindustries.com.au](mailto:sales@criterionindustries.com.au)

**NSW**

95 Victoria Street  
Smithfield, NSW, 2164  
T: 02 9355 0700

[sales.nsw@criterionindustries.com.au](mailto:sales.nsw@criterionindustries.com.au)

**WA**

58 Tacoma Circuit  
Canning Vale WA 6155  
T: 08 9355 0700

[sales.wa@criterionindustries.com.au](mailto:sales.wa@criterionindustries.com.au)

**QLD**

22 Holt Street  
Eagle Farm QLD 4009  
T: 07 3193 8990

[sales.qld@criterionindustries.com.au](mailto:sales.qld@criterionindustries.com.au)