

# **Arctic Revolution Sliding System**

**Installation  
Instructions**

# Contents

---

SECTION	PAGE
<b>Section Profiles</b>	
Arctic Sliding System	3
<b>Installation Instructions</b>	
Setting Up Door Clearances	4
Arctic Low Clearance Roller	5
Arctic Standard Roller	6
Arctic Soft Close Low Clearance Roller	7
Arctic Soft Close Standard Roller	8
Arctic Track Opening Cap	9
Door Guide Options	10

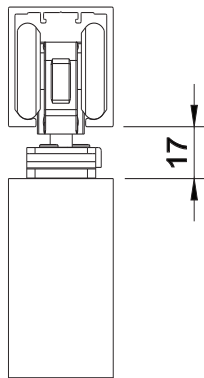
---

# Arctic Sliding Track

SECTION IMAGE	DESCRIPTION
	<b>CI-5150 Arctic 80kg Overhead Track</b>
	<b>CI-5151 Arctic 80kg Overhead Track with Flanges</b>
	<b>CI-5153 Arctic 80kg Sliding Track</b>
	<b>CI-5154 Clip on Pelmet</b>
	<b>CI-5155 Track Mounting Bracket</b>
	<b>817022A Arctic Revolution Low Clearance Roller</b>
	<b>817020A Arctic Revolution Standard Plate Roller</b>
	<b>817027A Arctic Revolution 40kg Soft Close Low Clearance Roller</b>
	<b>817025A Arctic Revolution 40kg Soft Close Standard Plate Roller</b>
	<b>817026A Arctic Revolution 80kg Soft Close Low Clearance Roller</b>
	<b>817024A Arctic Revolution 80kg Soft Close Standard Plate Roller</b>
	<b>817028A Arctic Revolution 120kg Soft Close Low Clearance Roller</b>

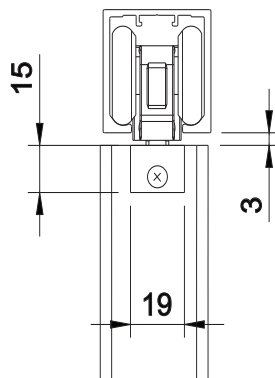
# Setting Up Door Clearances

**Standard Quick Fix Roller**



13mm minimum clearance /  
21mm maximum clearance

**Low Clearance Roller**



3mm minimum clearance /  
7mm maximum clearance

## **Fixing the track**

- + Ensure track is clean and free of any debris.
- + Align and install track into beam above ensuring track is level and fixings are adequate for door weight.
- + Ensure screws are flush to prevent interference with soft close trigger.

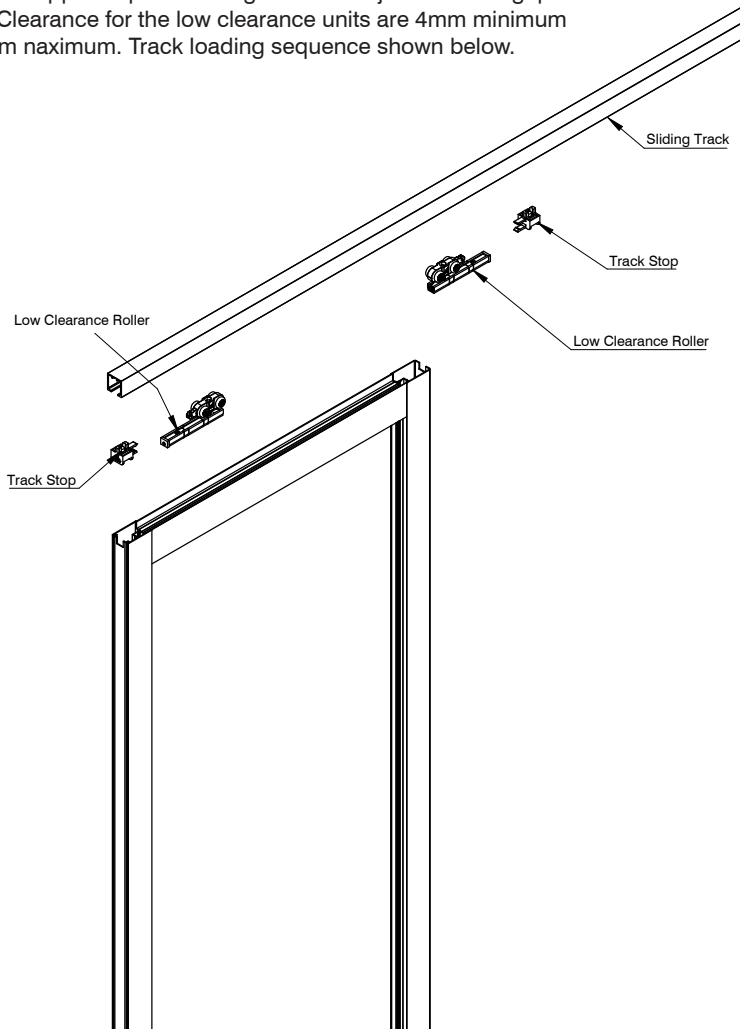
## Arctic Low Clearance Roller

Door Height = Opening to underside of track - 14mm

Screw low clearance sleeve into 19mm wide x 15mm deep trench into the top of door 5.5mm in from door edge ensuring fixing penetrates door structure.

Insert Rollers + Track stops into track and slide roughly into position.  
To hang the door slide spear plate (with roller mechanism attached) into sleeve. Screw spear plate into sleeve.

Use the supplied spanner to tighten and adjust the door gap.  
Door Clearance for the low clearance units are 4mm minimum to 7mm maximum. Track loading sequence shown below.



# Arctic Standard Roller

Door Height = Opening to underside of track - 19mm (+/- 4mm).

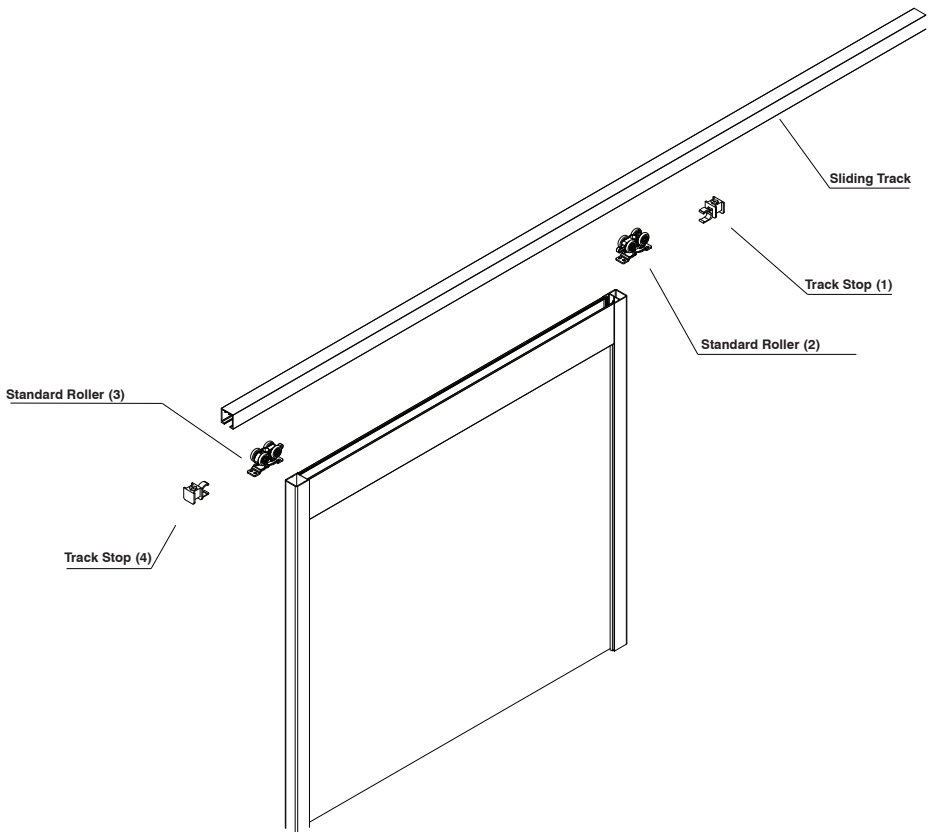
Screw door mount brackets to top of door ensuring brackets are centred.

Insert Rollers + Track stops into track and slide roughly into position. To hang the door on the rollers, manoeuvre door onto spring brackets, snapping into place around the roller assembly bolt. Finger latch on the side allows for door to be removed.

Use the supplied spanner to tighten and adjust the door gap. Door Clearance for the standard units are 17mm with a 4mm variance. Track loading sequence shown below.

### Note\*\*\*

For Aluminium doors top rail will need an infill packer to ensure assembly sits flush with top of rail.



## Arctic Soft Close Low Clearance Roller

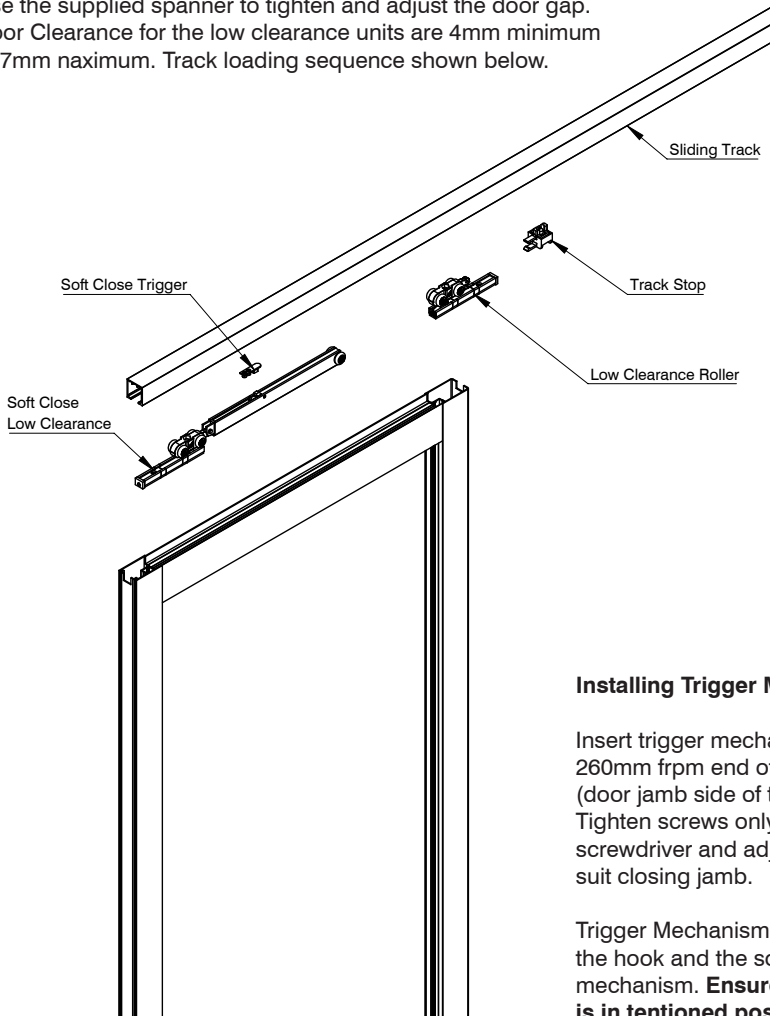
Door Height = Opening to underside of track - 14mm

Screw low clearance sleeve into 19mm wide x 15mm deep trench into the top of door 5.5mm in from door edge ensuring fixing penetrates door structure.

Insert Rollers + Track Stops + Soft Close Trigger into track and slide roughly into position.

To hang the door slide spear plate (with roller mechanism attached) into sleeve. Screw spear plate into sleeve.

Use the supplied spanner to tighten and adjust the door gap. Door Clearance for the low clearance units are 4mm minimum to 7mm maximum. Track loading sequence shown below.



### Installing Trigger Mechanism

Insert trigger mechanism (4) 260mm from end of track (door jamb side of track). Tighten screws only with a screwdriver and adjust to suit closing jamb.

Trigger Mechanism engages the hook and the soft close mechanism. **Ensure the hook is in tensioned position before loading into track**

# Arctic Soft Close Standard Roller

Door Height = Opening to underside of track - 19mm (+/- 4mm).

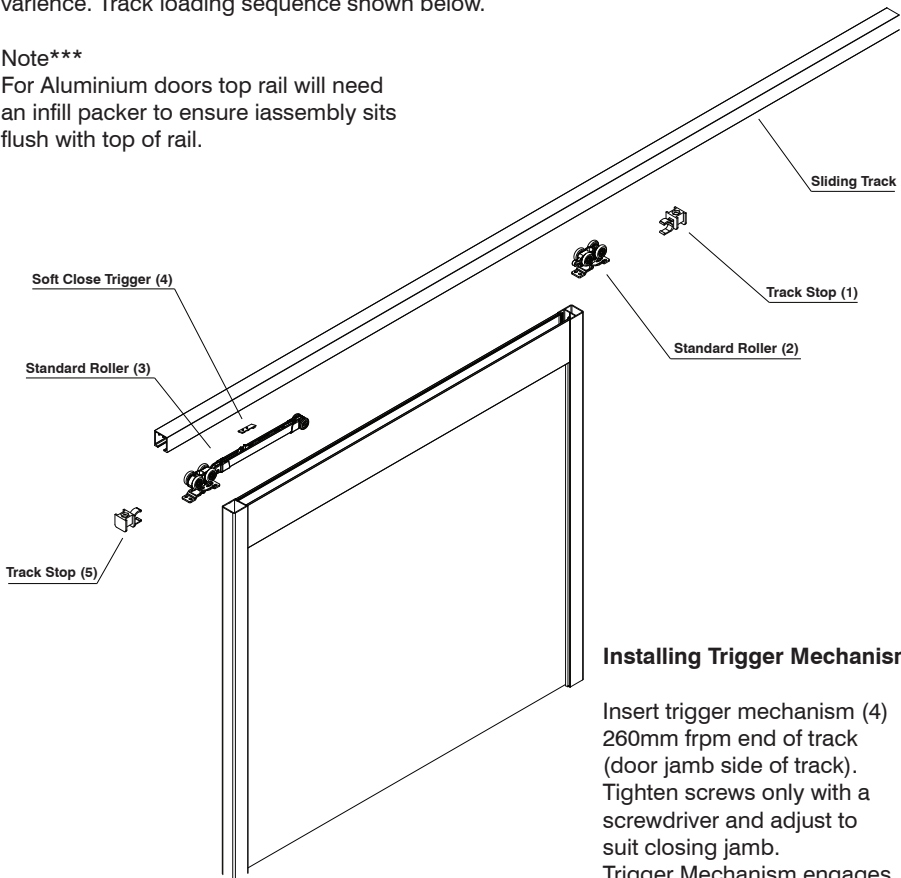
Screw door mount brackets to top of door ensuring brackets are centred.

Insert Rollers + Track stops+ Soft Close Trigger into track and slide roughly into position. To hang the door on the rollers, manoeuvre door onto spring brackets, snapping into place around the roller assembly bolt. Finger latch on the side allows for door to be removed.

Use the supplied spanner to tighten and adjust the door gap. Door Clearance for the standard units are 17mm with a 4mm variance. Track loading sequence shown below.

### Note\*\*\*

For Aluminium doors top rail will need an infill packer to ensure assembly sits flush with top of rail.

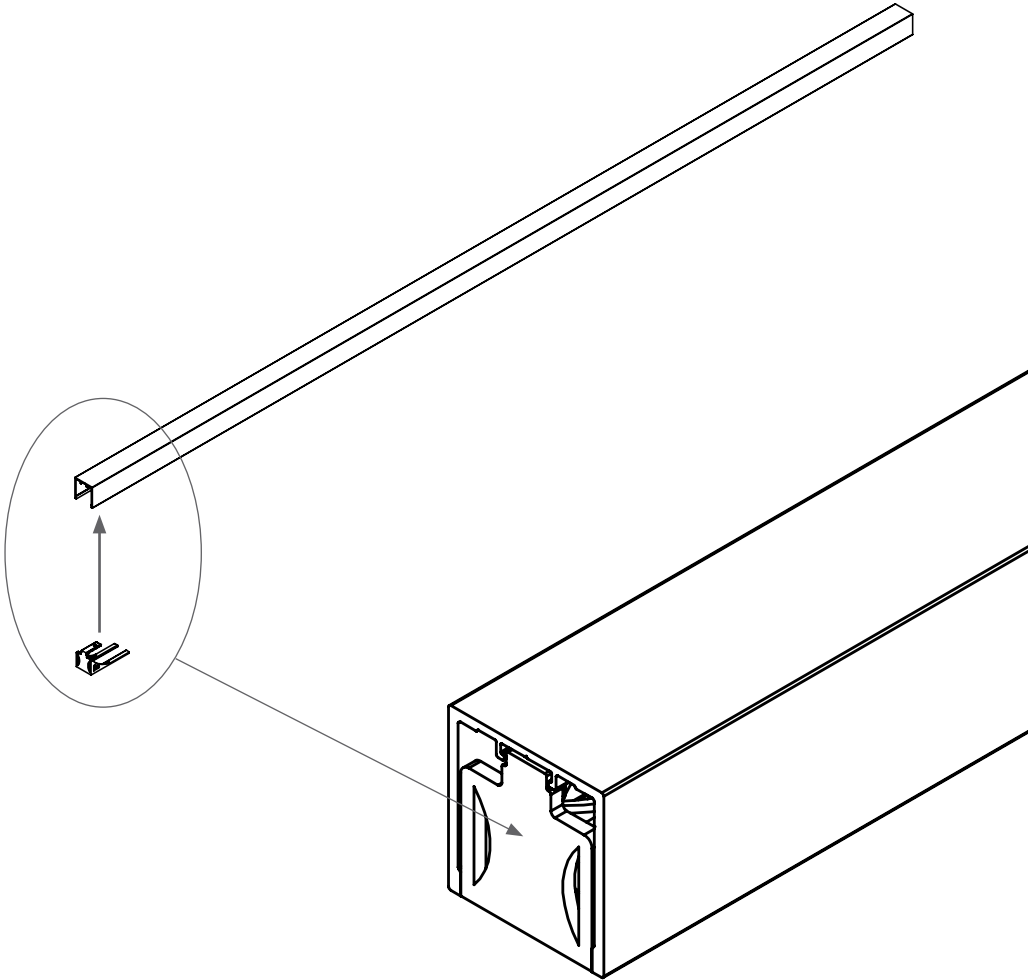


### Installing Trigger Mechanism

Insert trigger mechanism (4) 260mm from end of track (door jamb side of track). Tighten screws only with a screwdriver and adjust to suit closing jamb. Trigger Mechanism engages the hook and the soft close mechanism. **Ensure the hook is in tensioned position before loading into track**

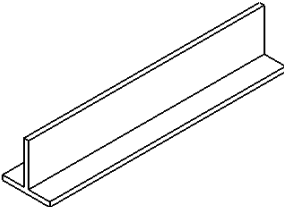


# Arctic Track Opening Cap



# Door Guide Options

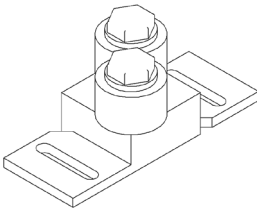
817210 T-Guide - Required 25x5 Trench



817033 Wall Mounted Guide



817100 Roller Guide



Install guide to base at the edge of the opening, ensuring that the door will hang parallel to wall.



**VIC**

23 Scanlon Drive  
Epping, VIC, 3076  
T: 03 9355 0700

[sales@criterionindustries.com.au](mailto:sales@criterionindustries.com.au)

**NSW**

29 Kildo Crescent  
Glendenning NSW 2761  
T: 02 9355 0700

[sales.nsw@criterionindustries.com.au](mailto:sales.nsw@criterionindustries.com.au)

**WA**

58 Tacoma Circuit  
Canning Vale WA 6155  
T: 08 9355 0700

[sales.wa@criterionindustries.com.au](mailto:sales.wa@criterionindustries.com.au)

**QLD**

22 Holt Street  
Pinkenba QLD 4009  
T: 07 3193 8990

[sales.qld@criterionindustries.com.au](mailto:sales.qld@criterionindustries.com.au)