

# Amazon Sliding Track

Formulating  
character and  
distinction.

[www.criterionindustries.com.au](http://www.criterionindustries.com.au)





# Amazon

The Amazon Sliding Track is a high-quality floor mounted roller system developed with a concealed clip floor track to minimise the appearance of external fixings. The Amazon system can be used in a variety of settings and situations, including creating dividers in meeting rooms. Amazon is often used in applications where structural support is not available from the ceiling above.

The sliding door system also maximises space by eliminating the 'swing space' hinge doors normally use. Amazon's floor rollers can hold doors up to 200kg and are designed for simple installation.

With strong, durable and customisable design, Amazon is a cost-effective solution in both commercial and residential settings.

## WHY CHOOSE AMAZON?

---

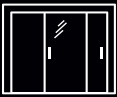
- + **Unique floor track**
- + **Door weight capacity up to 200kg**
- + **Simple installation**
- + **Suits timber or aluminium doors**
- + **Acoustic Rating:**  
Amazon Sliding System – RW24



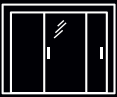


Amazon  
Sliding Track

AMAZON SLIDING TRACK - BCG DIGITAL VENTURES, SYDNEY  
© DEMAS RUSLI

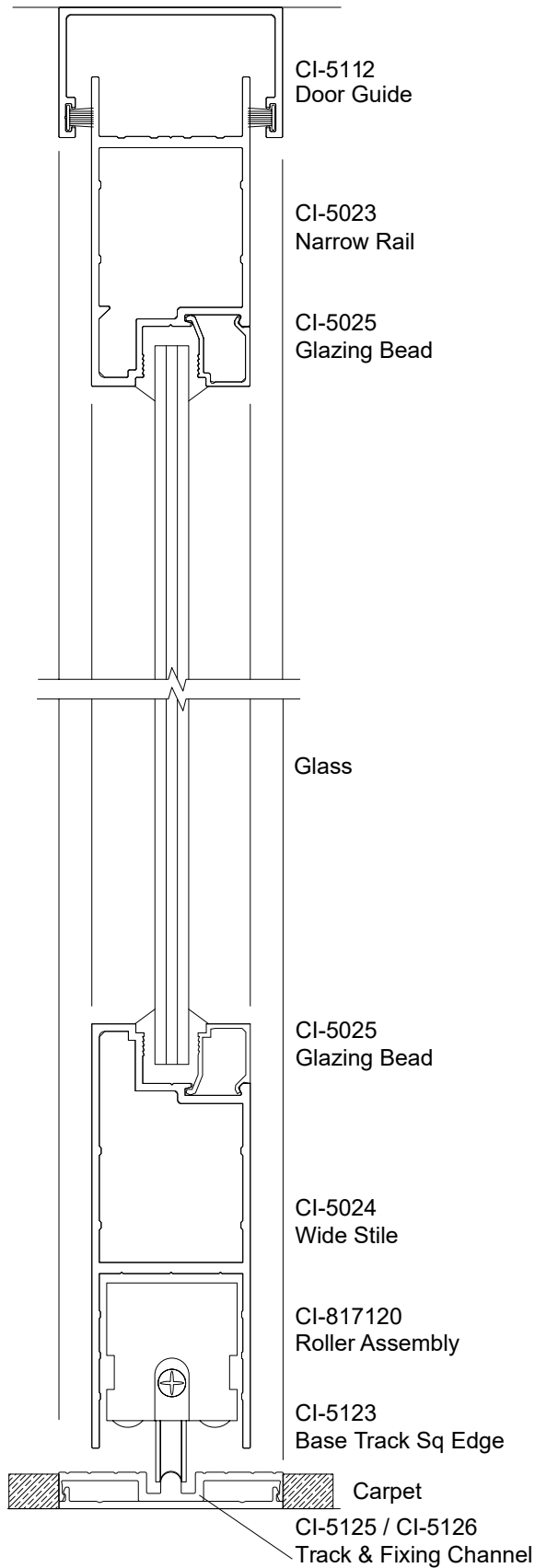


SECTION IMAGE	DESCRIPTION	LENGTH	FINISH	CODE
	CI-5123 Base Track - Square Edge	3250mm	Clear Anodise	512332.1
		6500mm	Clear Anodise	512365.1
	CI-5125 Base Track	3250mm	Mill Finish	512532.0
		3250mm	Clear Anodise	512532.1
	CI-5126 Fixing Channel	3250mm	Mill Finish	512632.0
	CI-5129 Narrow Base Track	3250mm	Clear Anodise	512932.1
	CI-5121 Fixing Channel	3250mm	Mill Finish	512132.0
		6500mm	Mill Finish	512165.0
	CI-5122 Heavy Duty Fixing Channel	3250mm	Mill Finish	512232.0
		3250mm	Mill Finish	512265.0
	CI-5112 Door Guide	6500mm	Clear Anodise	511265.1
		6500mm	Satin Black	511265.2B
	CI-5114 Sliding Door Receiver	3250mm	Clear Anodise	511432.1
		3250mm	Satin Black	511432.2B
	CI-5115 Sliding Door Receiver Capping	3250mm	Clear Anodise	511532.1
		3250mm	Satin Black	511532.2B
	CI-5653 50 x 25 x 3mm Channel	3250mm	Clear Anodise	565332.1
		6500mm	Clear Anodise	565365.1
	CI-5091 Interlock Adaptor	6500mm	Clear Anodise	509165.1
	CI-5094 Offset Interlock Adaptor	6500mm	Clear Anodise	509465.1
		6500mm	Satin Black	509465.2



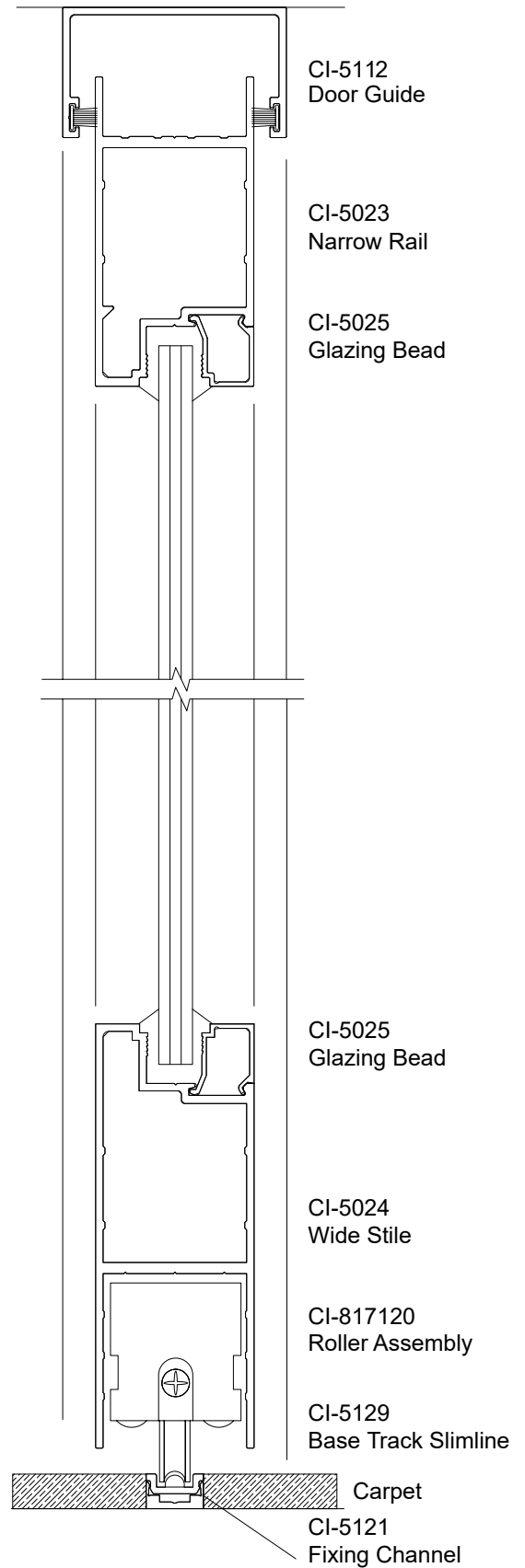
# AMAZON ELEVATIONS

## 5123 SQUARE EDGE BASE TRACK



AM.03

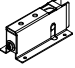
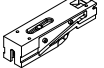


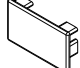



## 5129 SLIMLINE BASE TRACK



AM.04



# AMAZON SLIDING TRACK HARDWARE

IMAGE	DESCRIPTION	FINISH	UNIT	CODE
<b>Rollers</b>				
	Amazon Single Floor Roller - Timber Doors	—	Each	817102
	Amazon Twin Wheel Roller	—	Each	817120
	Amazon Roller - Roller and Sleeve (Suits Barwon)	—	Each	810045
<b>Packer</b>				
	5.0 x 75mm Packer (Allows roller to sit in the correct position)	Red	Each	857905
<b>Door Guides</b>				
	End Cap (Suits 817158 Door Guide)	Black	Each	817159.B
		Silver	Each	817159.S
<b>Door Seals</b>				
	Whisperwing Rubber Door Seal	Black	Lineal Metre	841469.B
		Black	100m Roll	841469.BBR
		Grey	Lineal Metre	841469.G
		Grey	100m Roll	841469.GBR
	Whisper-Lon Seal - Suits 38mm Sliding Doors	Black	Lineal Metre	843705.B
		Black	100m Roll	843705.BBR1
		Black	500m Roll	843705.BBR
				



Amazon  
Sliding Track

AMAZON SLIDING TRACK | CHANNEL 9, PERTH

# Formulating character and distinction.

Looking to discover more?

Contact us to book your  
free demonstration:

[www.criterionindustries.com.au](http://www.criterionindustries.com.au)



#### **VIC**

23 Scanlon Drive  
Epping, VIC, 3076  
T: 03 9355 0700

[sales@criterionindustries.com.au](mailto:sales@criterionindustries.com.au)

#### **NSW**

95 Victoria Street  
Smithfield, NSW, 2164  
T: 02 9355 0700

[sales.nsw@criterionindustries.com.au](mailto:sales.nsw@criterionindustries.com.au)

#### **WA**

58 Tacoma Circuit  
Canning Vale WA 6155  
T: 08 9355 0700


[sales.wa@criterionindustries.com.au](mailto:sales.wa@criterionindustries.com.au)

#### **QLD**

22 Holt Street  
Eagle Farm QLD 4009  
T: 07 3193 8990

[sales.qld@criterionindustries.com.au](mailto:sales.qld@criterionindustries.com.au)

FRONT AND BACK COVER:  
BOG DIGITAL VENTURES, SYDNEY  
©DEMAS RUSLI

 Issued January 2020