



AURORA ALUMINIUM SLIDING DOOR QUICK ORDER FORM

COMPANY NAME _____	SUBURB/POSTCODE _____	SITE CONTACT PHONE _____
YOUR NAME _____	ORDER DATE _____	DELIVERY TIME _____
PROJECT NAME _____	DUE DATE _____	SPECIAL INSTRUCTIONS _____
DELIVERY ADDRESS _____	CUSTOMER ORDER # _____	_____
_____	SITE CONTACT NAME _____	_____

DOOR FINISH	COLOUR <small>(If finish is powdercoat or special anodised)</small>	GLAZING	STILE SIZE <small>(refer to p.2)</small>	TOP RAIL SIZE <small>(refer to p.2)</small>	BOTTOM RAIL SIZE <small>(refer to p.2)</small>	MID RAIL SIZE <small>(If appl. refer to p.2)</small>	MID RAIL POSITION (mm) <small>Top of rail from bottom of door</small>

DOOR REF #	SIZE			SLIDING TRACK MACHINING <small>(refer to p. 3)</small>	LOCKS & HANDLES							ADDITIONAL MACHINING	
	FINISHED HEIGHT <small>(mm)</small>	FINISHED WIDTH <small>(mm)</small>	HANDING <small>(refer to p. 2)</small>		HANDLE TYPE <small>(refer to p. 3)</small>	LOCK TYPE <small>(refer to p. 3)</small>	SUPPLY & FIT	HANDLE HEIGHT <small>(mm to centre of handle)</small>	MACHINE ONLY				
									FACEPLATE	HANDLE HOLES	CYL. HOLE <small>(Outside)</small>		TURN SNIB

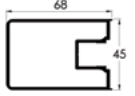
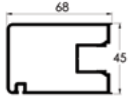
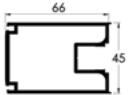
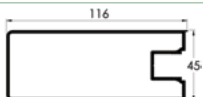
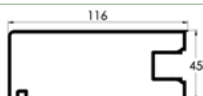
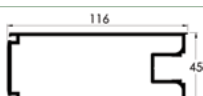
SPECIAL INSTRUCTIONS
All hardware must be ordered separately. If provided from a different supplier, please include manufacturer code and specifications for accurate machining.

Send completed form to:
VIC orders@criterionindustries.com.au
NSW sales.nsw@criterionindustries.com.au
WA sales.wa@criterionindustries.com.au

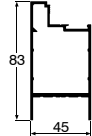
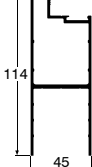
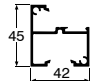
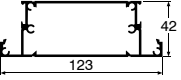
STANDARD MEASURING AND MANUFACTURING DETAILS

Method of measuring	Refer to Product Guide or Website
Standard handle height:	1000mm to centre of handle (unless otherwise specified under Special Instructions)
Standard D-Pull height:	1000mm to centre of handgrip (unless otherwise specified under Special Instructions)
Standard machining details	Cylinder Hole is always machined to outside of door if specified to be machined

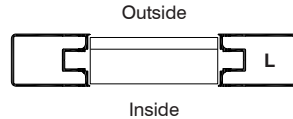
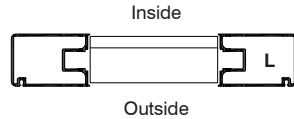
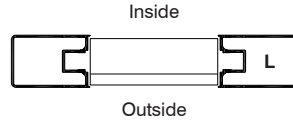
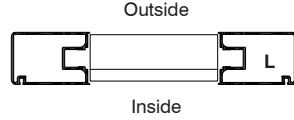
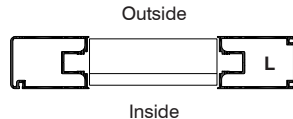
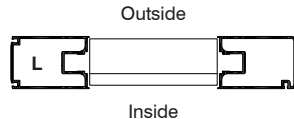
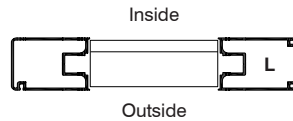
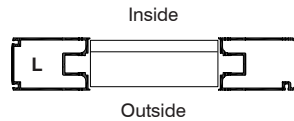
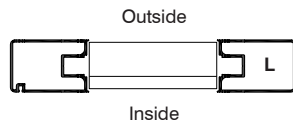
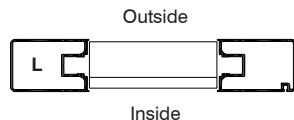
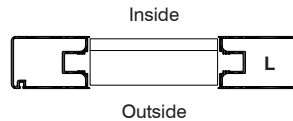
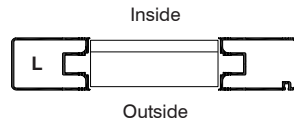
STILE TYPES

Plain 66mm	
Wiper 66mm	
Pivot 66mm	
Wide Plain 114mm	
Wide Wiper 114mm	
Wide Pivot 114mm	



RAIL TYPES






Top Rail 83mm	
Bottom Rail 114mm	
Mid Rail 45mm	
Mid Rail 123mm	








HANDING LEGEND

PLAIN / PLAIN	WIPER / WIPER
PLPL01 	WW01 
PLPL02 	WW02 
WIPER / PIVOT	PIVOT / WIPER
WP01 	PW01 
WP02 	PW02 
WIPER / PLAIN	PLAIN / WIPER
WPL02 	PW04 
WPL01 	PW03 

L = Leading stile

MORTICE LOCK TYPE	SLIDING DOOR 60MM B/SET MORTICE LOCK	NARROW B/SET SLIDING DOOR FLIP LOCK (TONGUE ONLY)
		
Kit code	.StdSli	.N/BSli
Kit code description	Prep for Std Sliding Mortice Lock	Prep for Narrow Backset Sliding Mortice Lock
Kit components	Machine Faceplate	Machine N/Backset Fliplock Faceplate
	Machine Std Mortice Lock Cylinder Hole	Machine Narrow B/Set Mortice Lock Cylinder Hole
	Machine Std Mortice Lock Turnsmb Hole	Machine Narrow B/Set Mortice Lock Turnsmb Hole
		Machine for Disabled Turnsmb (optional)

HANDLE TYPE	300MM D-PULL	600MM D-PULL	600MM H-PULL	FINGER PULL	FLUSH PULL
					
Kit code	.300D/P	.600D/P	.StrH/P	.FinPul	.FluPul
Kit code description	Machine for 300mm D-Pull	Machine for 600mm D-Pull	Machine for 600mm H-Pull	Prep for Finger Pull	Prep for Standard Flush Pull
Kit components	Machine centre of stile faces for 300mm D-Pull (300mm hole centres)	Machine centre of stile faces for 600mm D-Pull (600mm hole centres)	Machine centre of stile faces for 600mm H-Pull (450mm hole centres)	Machine Edge of Leading Stile for Finger Pull	Machine Face of Leading Stile for Flush Pull

SLIDING TRACK TYPE	ARTESIAN/TANARO CAVITY	ARCTIC – LOW CLEARANCE ROLLER	ARCTIC – STANDARD ROLLER	NIAGARA SLIDING SYSTEM	ATLANTIC SLIDING SYSTEM	PANAMA SLIDING SYSTEM	AMAZON SLIDING DOOR
							
Kit code	.Art/Tan	.ArcLow	.ArcStd	.NiaSys	.AtlSys	.PanSys	.AmaSys
Kit code description	Prep for Artesian/Tanaro Cavity Unit	Prep for Arctic Sliding System - Low Clearance	Prep for Arctic Sliding System - Standard Roller	Prep for Niagara Sliding System	Prep for Atlantic Sliding System	Prep for Panama Sliding System	Prep for Amazon Sliding System
Kit components	Infill top of door with timber to suit CDS-180 Roller Assembly	Machine and Infil Top of Door for CI-817026 Low Clearance Roller	Machine and Infil Top of Door for CI-817024 Standard Roller	Infill top of door with timber to suit CDS-0463 Roller Assembly	Infill top of door with timber to suit CDS-180 Roller Assembly	Infill top of door stiles with timber to suit PA-350 Wheel Assembly	Prep base of Door for CI-817103 Amazon Roller Assembly
	Machine and Fill Base of Door to suit 25 x 5mm T-Guide	Machine and Prep for 817100 Floor Mounted Roller Guide	Machine and Prep for 817100 Floor Mounted Roller Guide				
		Machine and Prep for 817033 Arctic Wall Mounted Roller Guide with P-Elyne Insert	Machine and Prep for 817033 Arctic Wall Mounted Roller Guide with P-Elyne Insert	Machine Stile Base for Roller Guide	Machine Stile Base for Roller Guide	Machine Stile Base for Roller Guide	
		Machine and Fill Base of Door with Timber to Suit 25 x 5mm T-Guide	Machine and Fill Base of Door to suit 25 x 5mm T-Guide				