

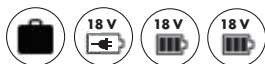
POWERBIRD® PRO GOLD EDITION

PowerBird® Pro Gold Edition – the strong one for high volumes and fast working sequences

No. 145 7636



No. 145 7640



TECHNICAL DATA

Setting force: 20,000 N
 Weight: 2.1 kg with battery
 Drive: 18 V brushless DC motor (BLDC)
 Stroke: 25 mm

SCOPE OF DELIVERY

Nosepieces: 17/32, 17/36, 17/40 and 17/45
 Additional jaw pusher for smaller blind-rivet dimensions (Required nosepieces page 136)

WORKING RANGE

Blind rivets up to Ø 6.4 mm all materials and up to Ø 8 mm aluminium. BULB-TITE® blind rivets up to Ø 7.7 mm all materials. MEGA GRIP® and G-Bulb blind rivets up to Ø 6.4 mm all materials. (max. mandrel Ø 4.3 mm)

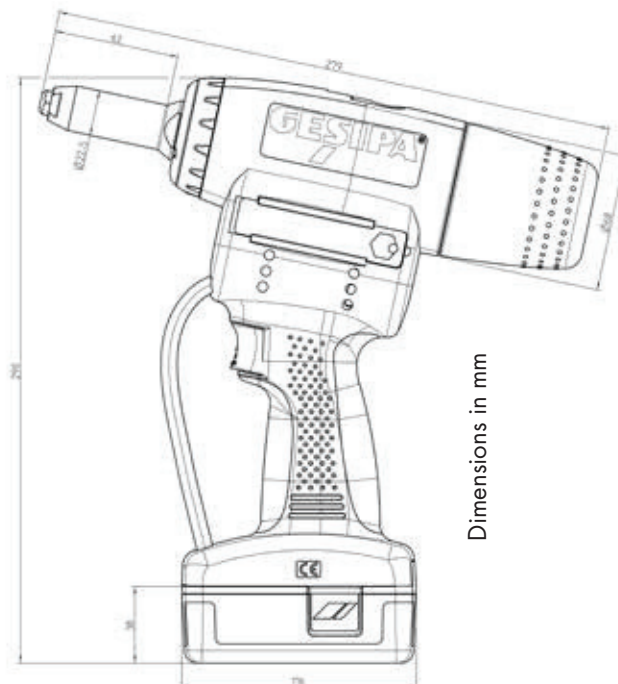
ADVANTAGES

Even more powerful: Thanks to the brushless motor and the 20,000 N setting force the PowerBird® Pro Gold Edition is even more powerful and can even set G-Bulb and PolyGrip® blind rivets up to Ø 6.4 mm in any material. The optional Autoreverse function additionally shortens the pulling process, ensuring the PowerBird® Pro Gold Edition is immediately ready for operation. The stroke has been substantially increased to 25 mm for the purpose of setting particularly long rivets.

Even faster, virtually no wear: Since no wear-prone brushes are used, the motor of the PowerBird® Pro Gold Edition has an extremely long service life, is virtually non-wearing and reliably guarantees the fastest setting frequencies.

Well-proven and ergonomically designed:

The PowerBird® Pro Gold Edition is equipped with the low-wear jaws system and features the same ergonomic design as the TAURUS® series, already proven a thousand times over.



Make sure the correct jaw pusher is used as specified in the operating instructions!

The battery-powered blind rivet setting tool with **20 kN** setting force and brushless motor

NOSEPIECE ASSIGNMENT Power per battery charge

D	Material	approx.pc / battery charge	Nosepiece	No.
4.8 and 5.0	Steel, Alu	1,800	17/32	143 4975
4.8 and 5.0	Stainless steel	1,600	17/36	143 4977
6.0	Alu	1,000	17/36	143 4977
6.0	Steel	650	17/40	143 4999
6.4	Alu, PG-Alu	600	17/45	143 4860
6.4	Steel	550	17/45	143 4860
8	Alu	550	17/45	143 4860

The name of the nosepiece (e.g. 17/32) can be found directly on the nosepiece.



BULB-TITE® BLIND RIVETS

4.0	Alu	1,300	17/26 BT*	143 4985
5.2	Alu	1,200	17/32 BT*	143 4986
6.3	Alu	800	17/42 BT*	143 4988
6.3	Steel	550	17/42 BT*	143 4988
6.3	Monel	600	17/42 BT*	143 4988
7.7	Alu	700	17/48 BT*	143 4989

MEGA GRIP® BLIND RIVETS

4.8	Alu	1,000	17/31 MG*	143 4993
4.8	Steel	950	17/31 MG*	143 4993
4.8	Stainless steel	900	17/31 MG*	143 4993
6.4	Alu	950	17/41 MG*	143 4865
6.4	Steel	250	17/41 MG*	143 4865
6.4	Stainless steel	250	17/41 MG*	143 4865

* available as special accessory. Special design nosepieces are available on request. The nosepiece allocation data applies to DIN and GESIPA® blind rivets.

88 Spare parts and special accessories PowerBird® Pro Gold Edition **page 88.**

136 Extended nosepieces, special lengths and special nosepieces on **page 136.**

SPARE PARTS / SPECIAL ACCESSORIES for Bird Pro series

18.0 V/2.1 AH (LI-ION) SLIDE-ON BATTERY PACK

Weight: 0.4 kg / available as special accessory



No. 145 7641

CHARGER FOR 18.0 V LI-ION BATTERY

Technical data

Input voltage: 100 - 240 V / 50 - 60 Hz

Output voltage: 21 V DC

Charging time: 45 to 90 minutes

Weight: 0.6 kg



Note: Equipped with Euro plug as standard (other versions on request)

No. 145 7642

RETAINING NOSEPIECE

Special accessory (also for SN2)

- Inserted rivet stays in any position
- Set rivets with only one hand
- Safer working



17/18R **No. 165 5422**
17/20R **No. 165 5424**
17/22R **No. 165 5426**
17/24R **No. 165 5427**
17/27R **No. 165 5428**
17/29R **No. 165 5429**
17/32R **No. 165 5430**
17/36R **No. 165 5431**
17/40R* **No. 165 5433**
17/45R* **No. 165 5434**

*Except AccuBird® Pro

JAWS (3-PART)



No. 143 5568

TRANSPARENT SPENT MANDREL CONTAINER

The classic spent mandrel container allows you to keep an eye on the amount of spent mandrels.



No. 145 0837

EXTENSION FOR SPENT MANDREL



Extended by 30 mm
No. 145 0838
Extended by 60 mm
No. 145 0839

ANGLE HEAD 90°

For use in very narrow and confined spaces



No. 146 4882

SPARE PARTS / SPECIAL ACCESSORIES for Bird Pro series

EXTENSION UNITS

ONE-PIECE

replace the steel head sleeve, they are slim and are therefore particularly suitable for tight spaces that are difficult to access



TOOL	+35 mm	+85 mm	+135 mm
AccuBird® Pro	145 0860	145 0861	145 0862
PowerBird® Pro	145 7650	145 7651	145 0823
PowerBird® Pro Gold Edition	145 7650	145 7651	145 0823

TOOL	+50 mm	+100 mm	+150 mm
PowerBird® Pro Gold Edition with spring-loaded trigger system	145 0821	145 0822	-

EXAMPLE one-piece

Bird Pro Geräte

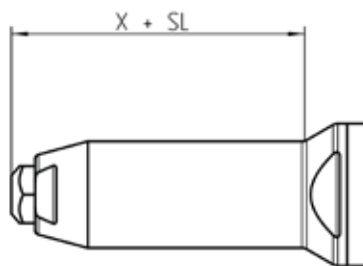
Example: + SL 35 mm

Steel head sleeve length =
62 mm (X) + SL 35 = 97 mm

PowerBird Pro GE with spring-loaded trigger system

Example: + SL 50 mm

Steel head sleeve length =
57,5 mm (X) + SL 50 mm = 107,5 mm



The variable X can be found in the dimension drawings of the devices.

Dimension X = Standard steel head sleeve length (with standard nosepiece)

MULTI-PIECE

are suitable for riveting in low-lying places. They are screwed on between the tool and the existing steel head sleeve

Variable extension of the steel head sleeve is possible in steps of 100 mm

TOOL	+100 mm
AccuBird® Pro	145 0859
PowerBird® Pro	145 0820
PowerBird® Pro Gold Edition	145 0820



BEISPIEL multi-piece

Bird Pro Geräte

Example: + SL 100 mm

Steel head sleeve length =
62 mm (X) + SL 100 mm = 162 mm