

FIREFOX® 2

The hydropneumatic blind rivet nut setting tool – stroke or setting force controlled

No. 145 8086

TECHNICAL DATA

Weight:	2.4 kg
Adjustable stroke,max:	10mm
Adjustable traction force, max:	22 kN at 6 bar
Operating air pressure:	5-7 bar
Air hose connection:	6 mm Ø (1/4")
Air consumption:	approx. 2 to 4 ltr. per rivet nut (depending on nut size)

WORKING RANGE

Sets blind rivet nuts from M4 to M10 in all materials as well as M12 in aluminium and steel.

SCOPE OF DELIVERY

Threaded mandrel and nosepiece M6 (in working position)
Threaded mandrel and nosepiece M4, M5 and M8 (in magazine)
2x double open ended wrenches SW 24/27
1x hexagon screw driver SW 3
1x oil refill bottle with hydraulic oil 100 ml
1x oil refill can
Quick setting guide
Colour code card
Operating instructions with spare parts list

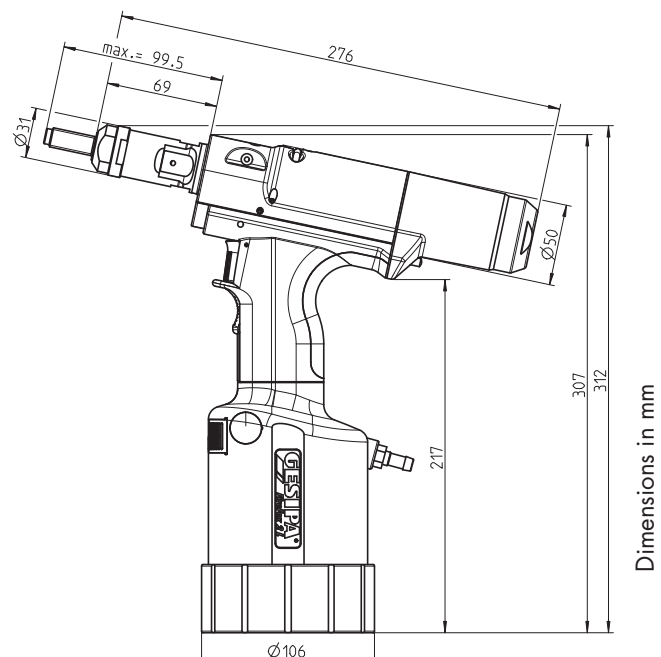
ADVANTAGES

- Stroke- or setting-force adjustment possible
- Fast and precise setting force adjustment with colour-coded setting ring
- New stroke scale quick and easy to set even under poor light conditions
- Maximum stroke clearly identified by blue ring on stroke scale (1)
- Throttle plate: Automatic throttle for even faster and protective setting as from M3 blind rivet nuts
- PTFE (Teflon®) seal. PTFE seal and optimised pilot



242 Spare parts, special accessories **page 242**

248 Threaded mandrels and nosepieces **page 248**



SPARE PARTS / SPECIAL ACCESSORIES FireFox® series

FLEXIBLE BASE – FIREFOX® 1 AND 2

With the new flexible base made from NBR and the larger surface area, the TAURUS® tools stand even more stably.



Flexible base for FireFox® 1
(for all versions)

No. 143 6394

Flexible base for FireFox® 2
(for all versions)

No. 143 6371

PROTECTIVE COVER for FireFox® 2 with stroke setting.

An additional **protective cover** over the head ensures that the stroke length setting is not unintentionally changed.



Protective cover

No. 143 6313

SWIVEL AIR CONNECTOR for FireFox® 1 F & 2 (all versions except FireFox® 2 C)



No. 143 5479

THREADED MANDREL AND NOSEPIECE SET FOR BLIND RIVET NUT SETTING TOOLS

Equipped with a complete set of nosepieces and threaded mandrels (M3 to M12) in a plastic carrying case. Suitable for:

- FireFox® 2 (all versions except FireFox® 2 C)
- FireBird® Pro / FireBird® Pro S
- FireBird® Pro Gold Edition / FireBird® Pro S Gold Edition



Metric dimensions

No. 145 8111

UNC/UNF dimensions

No. 145 8112

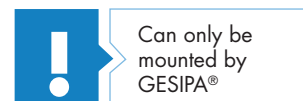
TOOL MOUNT* for FireFox® 1 F & 2 (all versions except FireFox® 2 C)

For integration into automated systems or connection to handling modules

*Tool mount is not available separately. It is supplied mounted on a new tool or can be retrofitted to an existing tool at the Walldorf plant or in a qualified GESIPA® workshop.



No. 145 8175



CONVERSION KIT FOR BLIND RIVET NUT STUDS

Article	No.	BRN thread protrusion	
		min.	max.* ¹
M4	143 6285	8	22
M5	143 6286	9	22
M6	143 6287	10	22
M8* ²	143 6288	12	22

*¹ A correspondingly extended nosepiece must be used for thread protrusion > 22 mm.

*² not FireFox® 1 F



SCREW NOSEPIECE for conversion kit

Description	No.
Screw nosepiece M4	143 5100
Screw nosepiece M5	143 5102
Screw nosepiece M6	143 5103
Screw nosepiece M8* ²	143 5105

SCREW INSERT for conversion kit

Description	No.
Screw insert M4	143 6278
Screw insert M5	143 6280
Screw insert M6	143 6281
Screw insert M8* ²	143 6282

CONVERSION KIT FOR COARSE THREAD

	No. FireFox® tools	BRN thread protrusion	
		min.	max.* ¹
M5	145 8170	9	22
M6	145 8171	10	22

Further dimensions on request.

CONVERSION KIT FOR HEXAGON SOCKET SCREWS

Can be operated with DIN EN ISO 4762 allen screws instead of threaded mandrels.

Special adapters available as accessory for M4 to M8 threads allows the original threaded mandrels to be replaced by allen screws: A substantial cost saving without any quality or performance loss and higher endurance when far away from the spare parts source. Best results are obtained with 12.9 grade screws



Conversion kit for blind rivet nuts	No.
M4 x min. 20	143 6264
M5 x min. 25	143 6279
M6 x min. 30	143 6283
M8* ² x min. 30	143 6284

*² not FireFox® 1 F

Conversion kit for extended DIN screws	No. SL30	No. SL50
M4 x min. 50	145 8182	152 9115
M5 x min. 55	145 8183	156 7148
M6 x min. 60	145 8184	156 7147
M8* ² x min. 60	145 8178	156 7146

SPARE PARTS / SPECIAL ACCESSORIES FireFox® series / FireBird® Pro series

CONVERSION KIT FOR CRIMP NUTS

FireFox® 2 (all variants)

Use

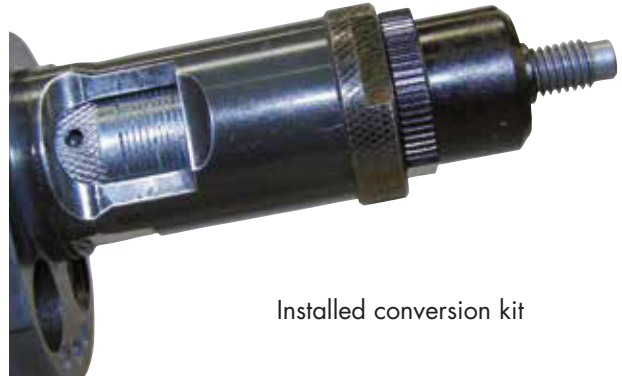
The conversion kits allow the use of the FireFox® 2 for inserting crimp nut sizes M6 to M12. This is done as fast as usual by drilling the nut on and off automatically and by fast insertion.

Delivered version

The conversion kit is delivered as a pre-assembled accessory. For inserting crimp nuts into very thick steel plates special sizes of threaded mandrels have to be used.

Installation

For installing the conversion kit special tools are not necessary. This can be done by using the wrench that comes with the FireFox® 2 standard version.



Installed conversion kit

Conversion kit for setting nut	No.
M6	143 6354
M8	143 6355
M10	143 6356
M12	143 6357



The conversion kit is delivered as a preassembled accessory.



The spring-loaded centering bush allows the setting nut to be inserted in an optimum way.

Threaded mandrels for conversion kit

Description	No.
Threaded mandrel M6	143 6214
Threaded mandrel M8	143 6215
Threaded mandrel M10	143 6216
Threaded mandrel M12	143 6217



The nut automatically drills on after having been slightly pressed onto the threaded mandrel.



Inserted nut after process has been finished.