

ANGLE HEAD 90° COMPACT for AccuBird® and PowerBird®

Can be swivelled 360°
on the AccuBird® and
PowerBird® tensile axis

No. 145 7252

TECHNICAL DATA

Weight: 0.7 kg
Stroke: 20 mm
Traction power: up to 10 kN

SCOPE OF DELIVERY

Nosepieces: 17/36



DESCRIPTION

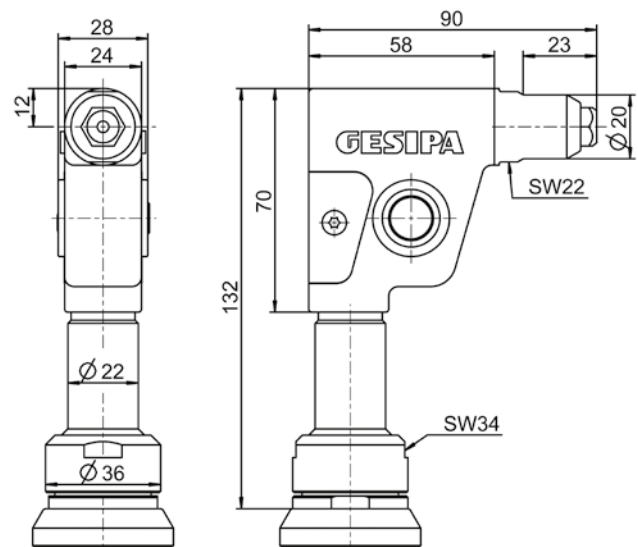
Using the angle head 90° compact for PowerBird® and AccuBird® allows to set all Types of standard blind rivets up to 5 mm in diameter and aluminium up to 6 mm diameter, depending on the tool Type. The minimum edge clearance is 12 mm, the head length is 90 mm. The angle head can be freely fixed in any position around the AccuBird® and PowerBird® tensile axis (360° free rotation).

APPLICATION

The angle head 90° compact is designed for use in tight spaces. Its sturdy design allows it to apply large setting forces when setting blind rivets even in difficult of access work areas with up to 10 kN.

ADVANTAGES

- Realisation of small edge clearances (12 mm)
- High setting force in tight installation areas (up to 10 kN)
- Large stroke (up to 20 mm)
- Simple assembly
- Compact and robust design
- Simple jaws maintenance
- Use of standard jaws
- Low vibration, even at high breaking force level



Dimensions in mm