

EZ Leaf Hauler Sport™

SET-UP INSTRUCTIONS

STEP 1: Unfold the Leaf Hauler.

STEP 2: Expand the rods and the ends will snap together. You will have (2) short rods and (1) long rod.

STEP 3: Slide the longest metal rod through the back slot stitched into the EZ Leaf Hauler. Secure the rod by placing the ends into the pockets. (Figure A)

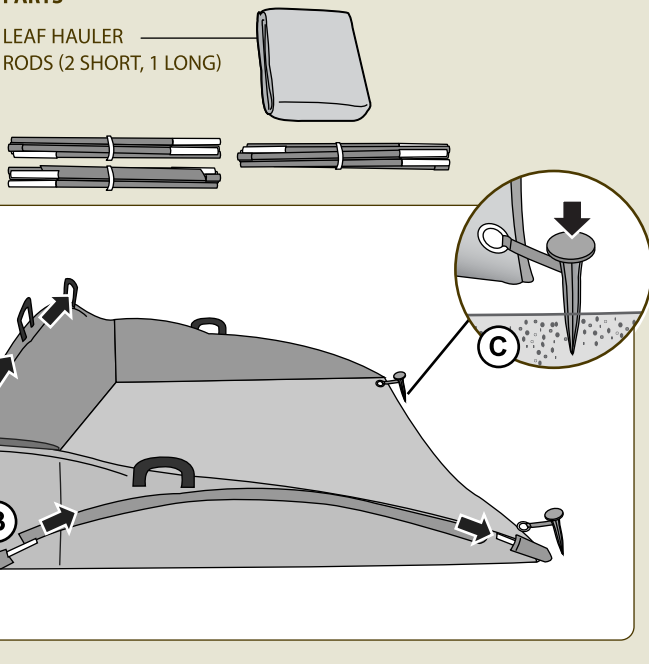
STEP 4: Insert one of the shorter rods in the slot stitches found on side corner of the EZ Leaf Hauler (Figure B). Secure the rod by placing the ends into the pockets. Repeat on the opposite side with the last rod.

USAGE: Push anchors into the ground to secure the Leaf Hauler (Figure C).

TO FOLD: Simply fold one loose corner to its opposite sturdy corner and do the same with the other side. Lastly, fold in the curved back downward. Use handles for easy transport.

PARTS

LEAF HAULER
RODS (2 SHORT, 1 LONG)



MADE IN CHINA
US Patent #7520,546

EZ Lawn & Garden™

Division of Monahan Products
60 Sharp Street, Hingham, MA 02043 USA
339-499-7460

WWW.EZLAWNANDGARDEN.COM

©2010 EZ Lawn & Garden. All Rights Reserved.