



Installation Instructions

2015 FORD F150 Rear Bumper

Product Number: E3251

Application: 2015+ FORD F150

SAFETY

Your safety and the safety of others is very important.

- In order to help you make informed decisions about safety, we have provided installation instructions and other information.
- These instructions alert you to potential hazards that could hurt you or others.
- Please do a job safety analysis before each task to identify potential hazards for your situation and remove/protect against them.
- You must use your own good judgment, and take your time.

Read and understand all safety precautions and instructions before installing this product.

**THIS PRODUCT IS FOR OFFROAD USE ONLY. ALL LIABILITY FOR
INSTALLATION AND USE RESTS WITH THE OWNER.**

**CARELESS INSTALLATION AND OPERATION CAN RESULT IN SERIOUS INJURY
OR EQUIPMENT DAMAGE.**

**SENSORS' FIELD OF VIEW WILL BE ALTERED WITH USE OF THE
REPLACEMENT BUMPER.**

Injury hazard

Failure to observe these instructions could lead to severe injury or death.

- Always remove jewelry and wear eye protection.
- Always use extreme caution when jacking up a vehicle for work. Set emergency brake and use tire blocks. Locate and use the vehicle manufacturers designated lifting points. Use jack stands.
- Always use appropriate and adequate care in lifting components into place.
- Always insure components will remain secure during installation and operation.
- Always wear safety glasses when installing this kit. A drilling operation will cause flying metal chips. Flying chips can cause serious eye injury.
- Always use extreme caution when drilling on a vehicle. Thoroughly inspect the area to be drilled (on both sides of material) prior to drilling, and relocate any objects that may be damaged.
- Always use extreme caution when cutting and trimming during fitting.
- Always tighten all nuts and bolts securely per installation instructions.
- Always route electrical cables carefully. Avoid moving parts, components that become hot and rough or sharp edges.
- Always insulate and protect all exposed wiring and electrical terminals.
- Always perform regular inspections and maintenance on mounts and related hardware.





Installation Instructions

2015 FORD F150 Rear Bumper

Product Number: E3251

Application: 2015+ FORD F150

I. Overview

Congratulations on your new purchase of the industries' best and most stylish Rear Bumper available for the 2015 Ford F-150! This Bumper has been engineered for strength while keeping the weight down.

Your Rear Bumper designed in 3-D from digitized data, CNC laser cut, fabricated, and powder coated... all in the U.S.A.

Enjoy the fit and finish of a quality F-150 Rear Bumper from Fab Fours Inc.





Installation Instructions

2015 FORD F150 Rear Bumper

Product Number: E3251

Application: 2015+ FORD F150

NOTE: PLEASE READ THE ENTIRE MANUAL BEFORE ATTEMPTING INSTALLATION. Ignoring these steps will increase your probability of scratching the vehicle during installation.

I. Tools Required

- Socket Wrench with Extensions
- 5/8", 3/4", 8mm, 9mm, and 13mm Sockets
- 5/8", 3/4", 8mm, 9mm, and 13mm Box End Wrench
- 7/32 drill bit

II. Removal of Stock Bumper

1. Remove license plate, and OEM license plate lights. Disconnect trailer receptacle.



Figure 1 (Lic. Light removed)





Installation Instructions

2015 FORD F150 Rear Bumper

Product Number: E3251

Application: 2015+ FORD F150

2. Disconnect the sensor harness plug, indicated by the red circle, and then trace the ground wire, indicated by the blue square, around the frame and using a 10mm wrench unscrew (ref. fig. 2a-b).

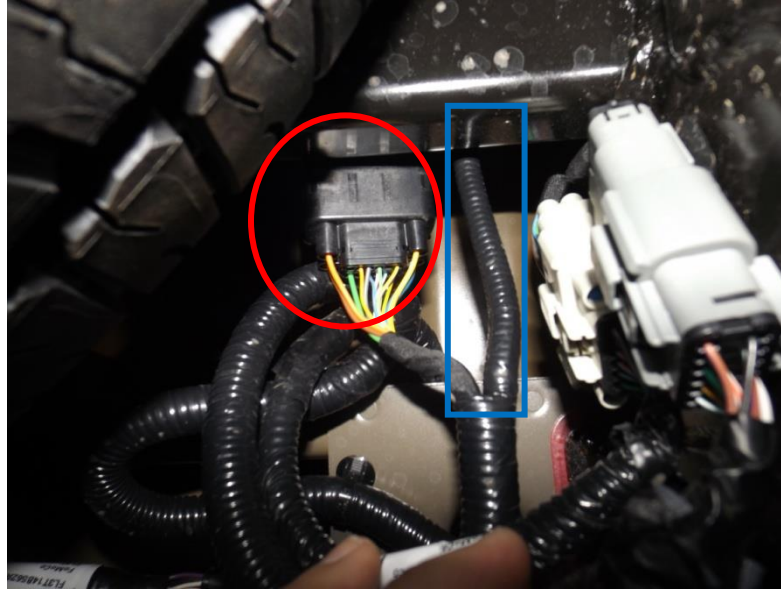


Figure 2a



Figure 2b





Installation Instructions

2015 FORD F150 Rear Bumper

Product Number: E3251

Application: 2015+ FORD F150

3. Remove one (1) Christmas tree plug and (1) clip connecting the harness to the frame.
4. Remove seven plastic Christmas tree plugs holding the harness to the inside of the bumper. Fish the harness out of the bumper and out of the way.
5. The OE bumper will come off in 3 pieces. From the outside and starting from the passenger side edge peel away the plastic that is clipped into the top of the bumper (Figure 3). Flat head screwdriver is recommended for removal.

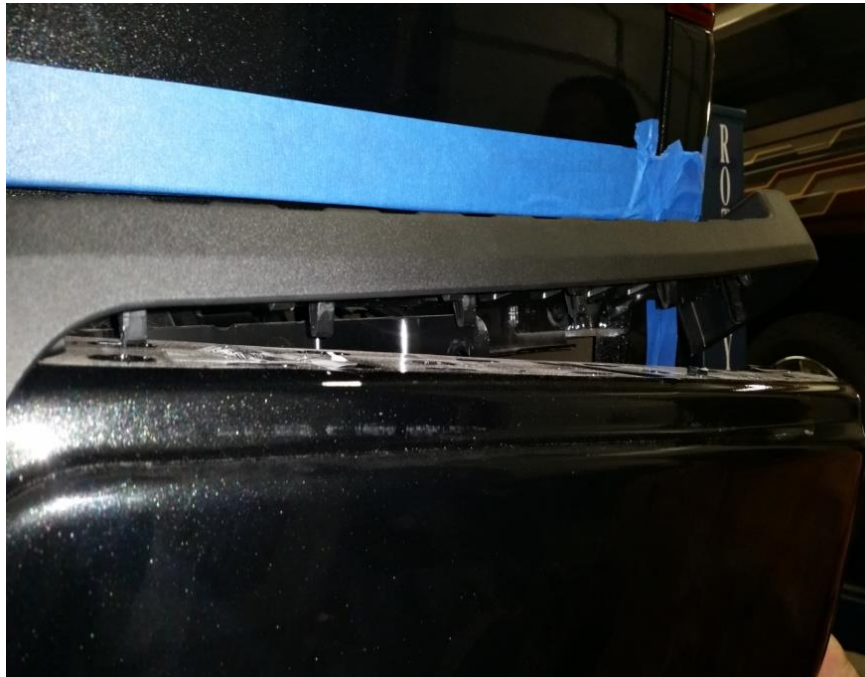


Figure 3





Installation Instructions

2015 FORD F150 Rear Bumper

Product Number: E3251

Application: 2015+ FORD F150

6. Remove the final 10 bolts that are now accessible using a 13mm socket (Figure 4a-b)

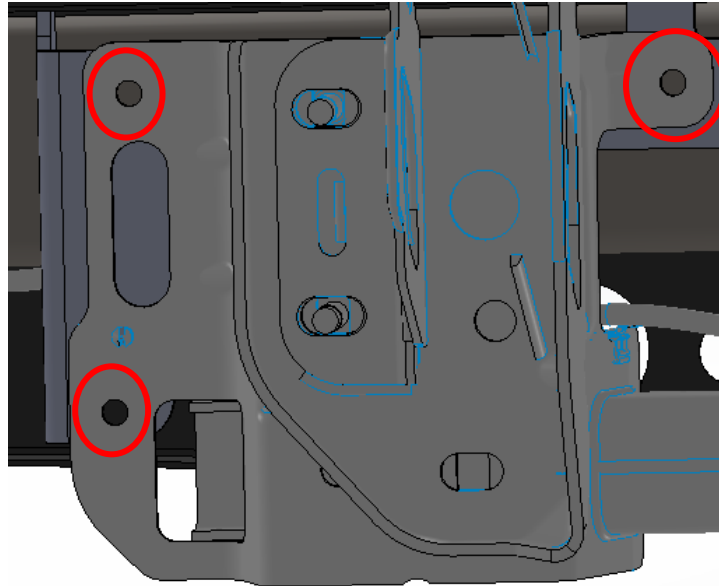


Figure 4 (3x per side, Outer Bolt Locations)



Figure 4b (2x per side, Inner bolt locations)





Installation Instructions

2015 FORD F150 Rear Bumper

Product Number: E3251

Application: 2015+ FORD F150

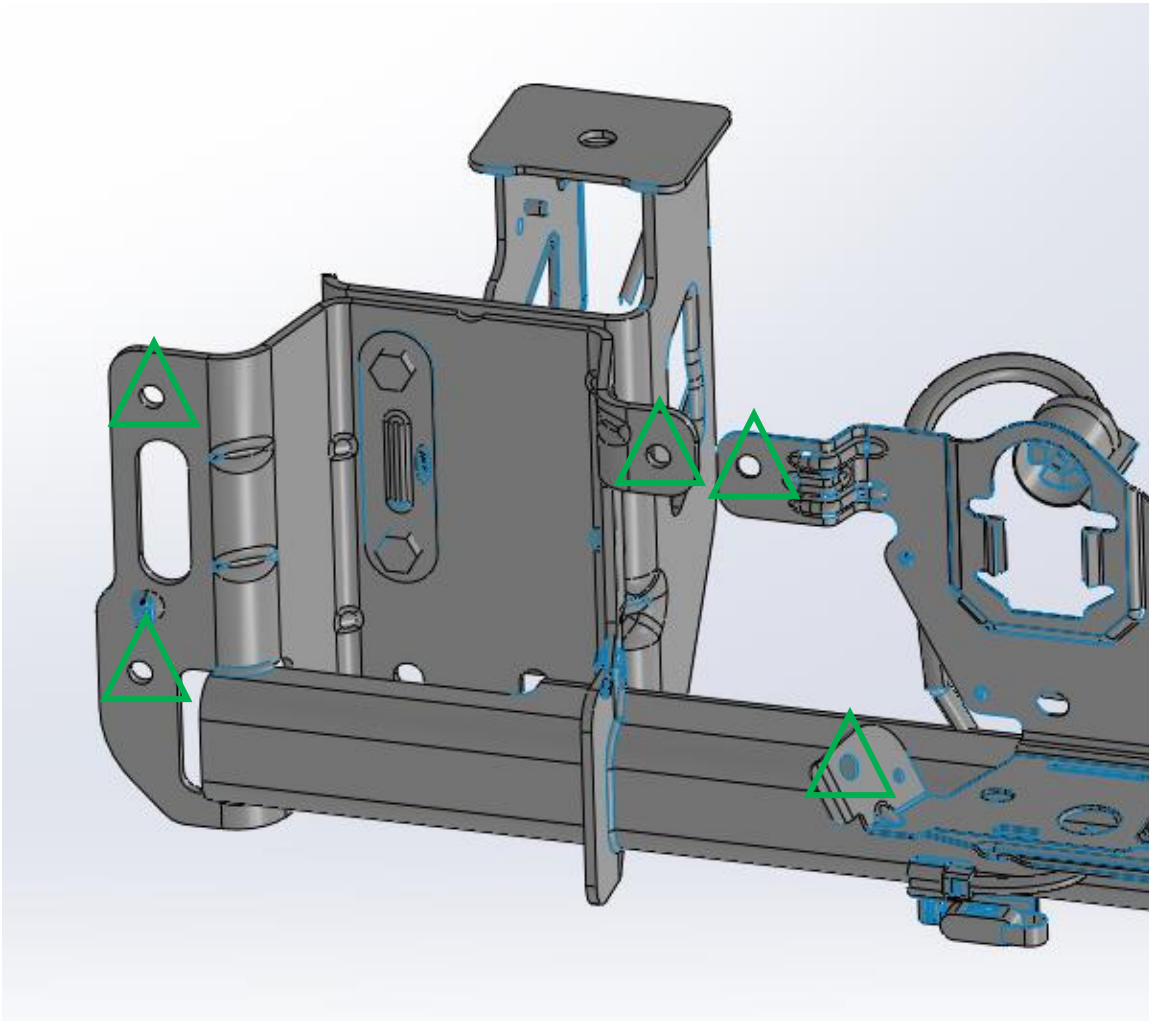


Figure 4c (5x Bolt Locations per Side)





Installation Instructions

2015 FORD F150 Rear Bumper

Product Number: E3251

Application: 2015+ FORD F150

III. Pre-Installation

1. Remove Fab Fours bumper from the shipping carton and lay all items out on a blanket to prevent damage.
2. Install provided license plate lights in indicated locations.

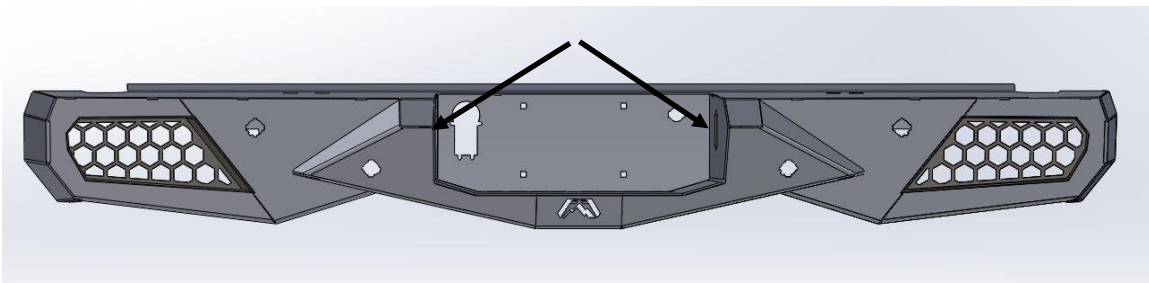


Figure 4

3. **FOR SENSOR BUMPER INSTALLATION: CAREFULLY** remove sensors from all housings, taking care to avoid touching the front of the sensors, the side tabs on the housing must be pulled away as the sensor is pulled out (ref. circles below). Then pull housing from OEM bumper and install sensor housings in FabFours bumper by lining up plastic protrusions of the housing with the sensor profile (Ref Figures 6a-d).





Installation Instructions

2015 FORD F150 Rear Bumper

Product Number: E3251

Application: 2015+ FORD F150

4. Look at images below to confirm proper orientation.

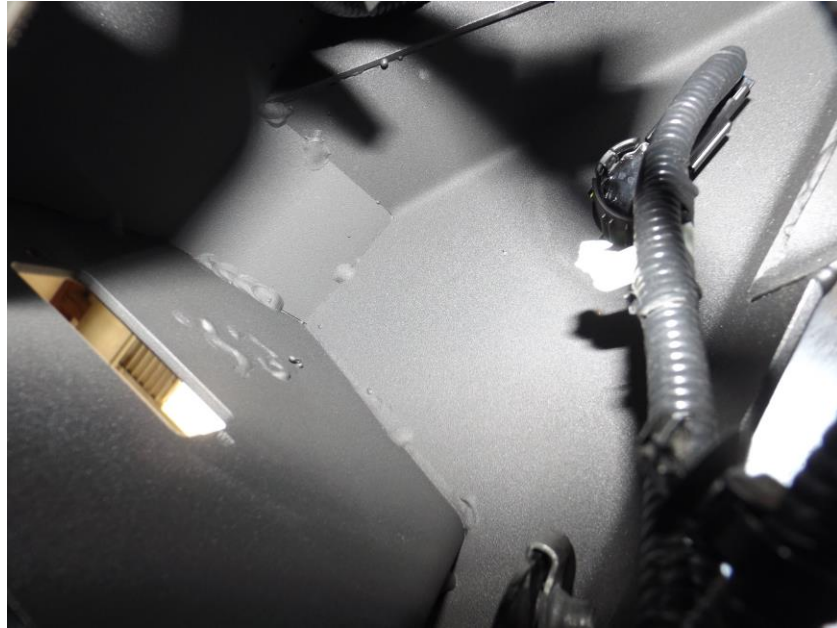


Figure 6a (inner driver side)



Figure 6b (outer driver side)





Installation Instructions

2015 FORD F150 Rear Bumper

Product Number: E3251

Application: 2015+ FORD F150

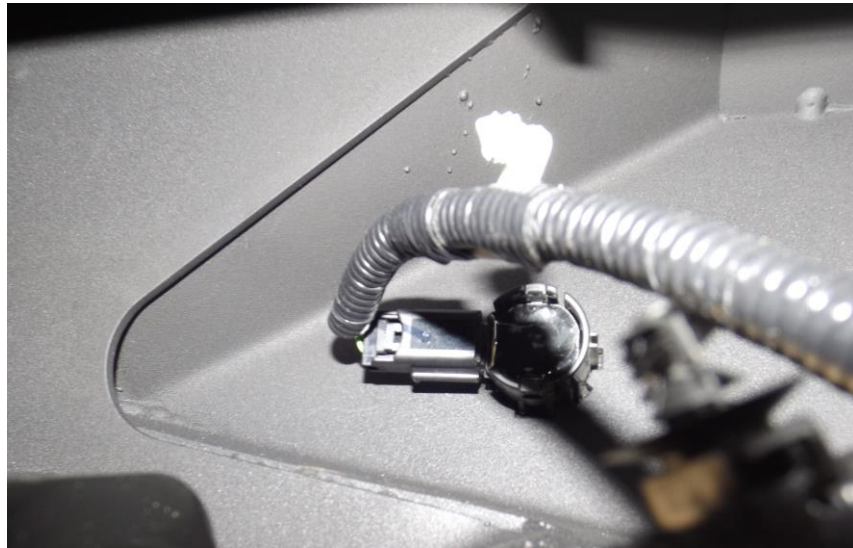


Figure 6c (inner passenger side)



Figure 6d (outer passenger side)





Installation Instructions

2015 FORD F150 Rear Bumper

Product Number: E3251

Application: 2015+ FORD F150

5. Once you are certain the sensor orientation is as previously instructed, follow instructions on the provided epoxy. Making sure sensor housings are as flush as possible, then apply epoxy to inside face of bumper. **EPOXY SHOULD ONLY BE ON BUMPER AND SENSOR HOUSINGS, DO NOT GET EPOXY ON SENSOR.**
6. Run sensor harness to housing.
7. Ensure that the plastic grommet is on properly and sensors appear centered in their housings.
8. Final installation of sensors on passenger side should appear as follows with driver side sensors mirrored.



Figure 7a (passenger side)





Installation Instructions

2015 FORD F150 Rear Bumper

Product Number: E3251

Application: 2015+ FORD F150



Figure 7b (inner passenger side, from side looking out)





Installation Instructions

2015 FORD F150 Rear Bumper

Product Number: E3251

Application: 2015+ FORD F150



Figure 7c (outer passenger side, from top looking down)





Installation Instructions

2015 FORD F150 Rear Bumper

Product Number: E3251

Application: 2015+ FORD F150

IV. Bumper Installation

1. Attach the supplied intermediate brackets with a 5/8 socket wrench and the provided 7/16 bolts.
2. Replace OEM bumper with the Fab Fours Vengeance Bumper. Use the stud plates, the 1/2" hardware and a 3/4" wrench to fasten the bumper mounts to the frame rail in the OEM mounting locations. Do not fully tighten.

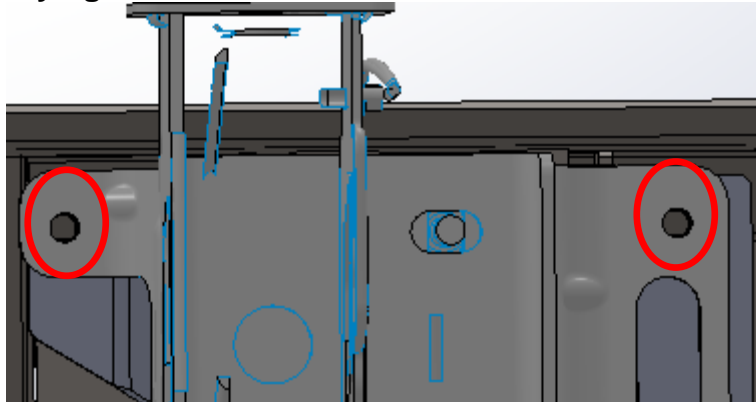


Figure 8a (7/16 bolt loc.)

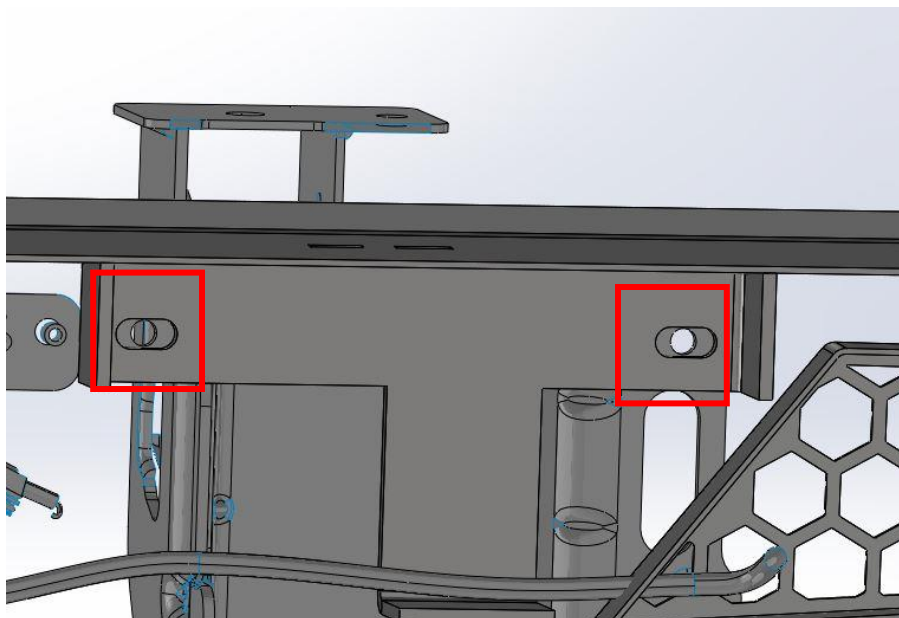


Figure 8b





Installation Instructions

2015 FORD F150 Rear Bumper

Product Number: E3251

Application: 2015+ FORD F150

3. Level and align the bumper in relation to the truck bed. Fully tighten all fasteners.
4. Slowly lower the tailgate to ensure there will be no interference. If required, loosen the frame/bumper bolts and adjust alignment of the bumper.
5. Install trailer plug receptacle. The stock plug receptacle must be drilled with a 7/32 drill bit (1/4 is acceptable) using the shown impressions in the receptacle as guides. Attach with the provided #8 hardware.



Figure 9



Figure 9





Installation Instructions

2015 FORD F150 Rear Bumper

Product Number: E3251

Application: 2015+ FORD F150

6. Install light strip to the area shown below. We recommend preparing the area with adhesive promoter prior to securing the light.



Figure 10 (light strip adhered to bottom of step)

7. Reinstall license plate with provided plastic inserts.
8. Reattach spare tire lock with the provided retaining ring.
9. Secure all loose wiring and harnesses to the frame or bumper with zip ties.





Installation Instructions

2015 FORD F150 Rear Bumper

Product Number: E3251

Application: 2015+ FORD F150

V. Maintenance/Care

- Periodically check and tighten all fasteners.
- Stripped, fractured, or bent bolts or nuts need to be replaced.

APPENDIX A. Troubleshooting Vehicle Sensors

- Start with a general inspection of the sensor fitment. Check that both the sensors and the sensor clips are fully secure and the sensors are properly centered in the housing.
- Confirm plastic housing is in the correct mounting holes. Misplaced sensor housings could compress sensor and give false readings or faults.
- Use a clean microfiber to wipe the front face of the sensor as dirt or debris can cause issues.
- Inspect connection. Be sure that the sensor is firmly seated into the harness.
- Run through several start cycles (i.e. fully turn the vehicle on and off).
- Finally, disconnect the battery to reset the sensors.





Installation Instructions

2015 FORD F150 Rear Bumper

Product Number: E3251

Application: 2015+ FORD F150

VI. Contact Information

Fab Fours Inc.
1312 Camp Creek Rd
Lancaster, SC 29720

Phone: (866)-385-1905
Fax: (866)-574-1424
Email: Support@fabfours.com



More than expected... Better than expected.

