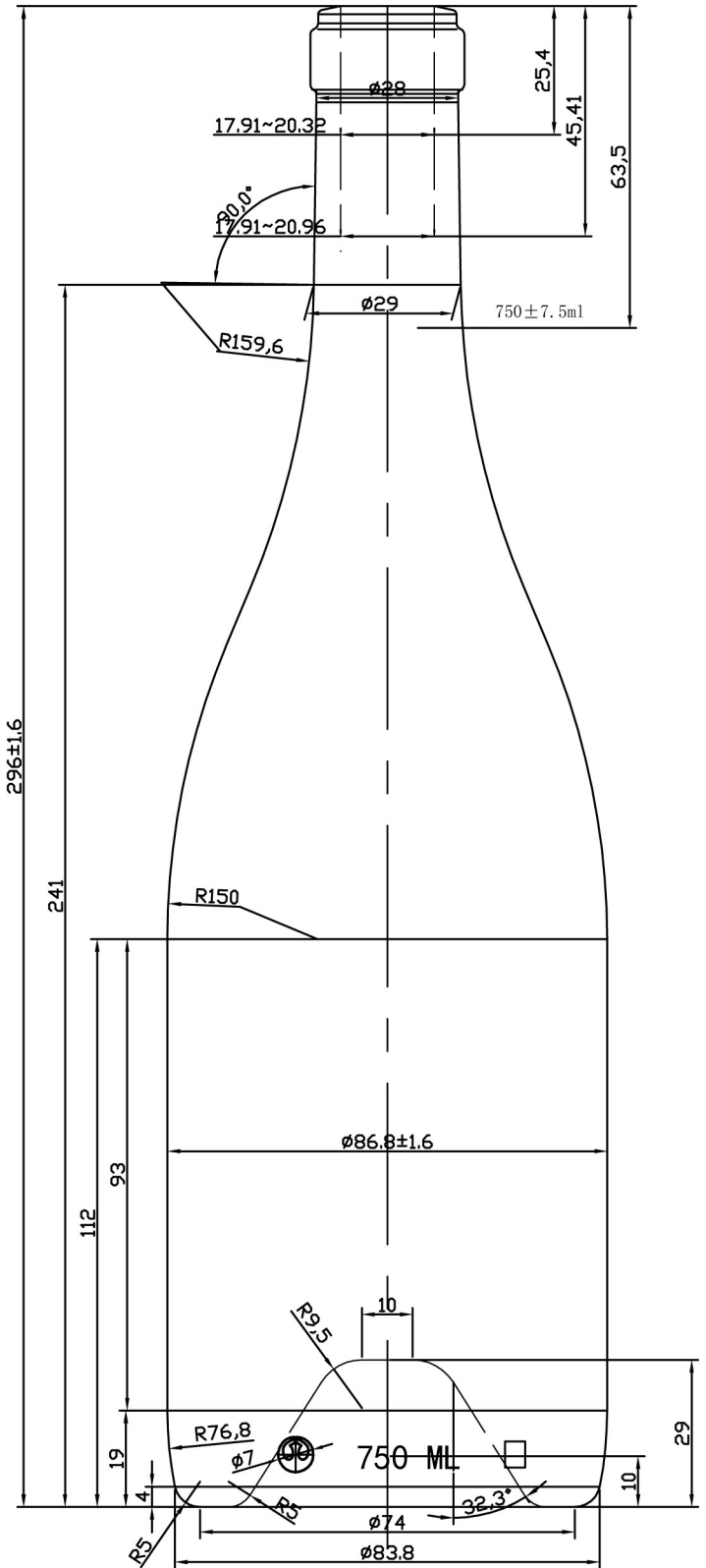
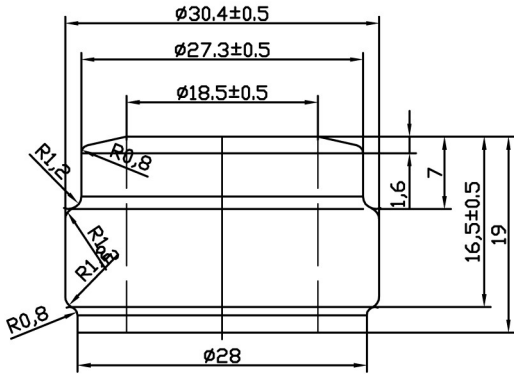




**PIONEER
PACKAGING**

Seattle • Portland

W0262 AG



| | |
|-----------------|---------------|
| Capacity | 750ml |
| Overflow | 771 ± 7.5ml |
| Weight | 676.9 ± 24.8g |
| Height | 296 ± 1.6mm |
| Body Ø | 86.8 ± 1.6mm |
| Finish Ø | 30.4 ± 0.5mm |
| Bore Ø | 18.5 ± 0.5mm |
| Pallet Quantity | 88 cases |