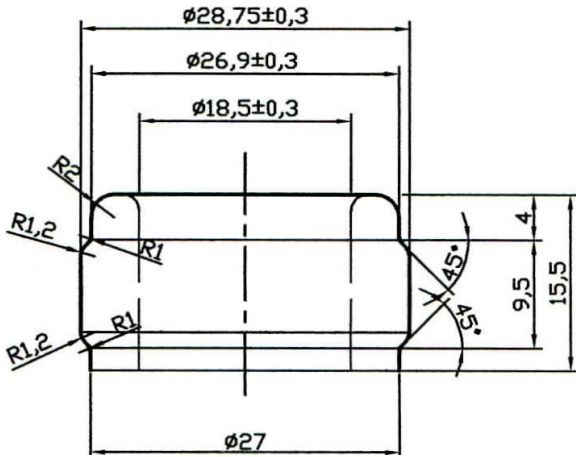




**PIONEER  
PACKAGING**

Seattle • Portland

**PG-360** AG, FLT



|                 |               |
|-----------------|---------------|
| Capacity        | 750ml         |
| Overflow        | 771 ± 10ml    |
| Weight          | 542 ± 25g     |
| Height          | 333 ± 1.8mm   |
| Body Ø          | 75.3 ± 1.6mm  |
| Finish Ø        | 28.75 ± 0.3mm |
| Bore Ø          | 18.5 ± 0.3mm  |
| Pallet Quantity | 112 cases     |

