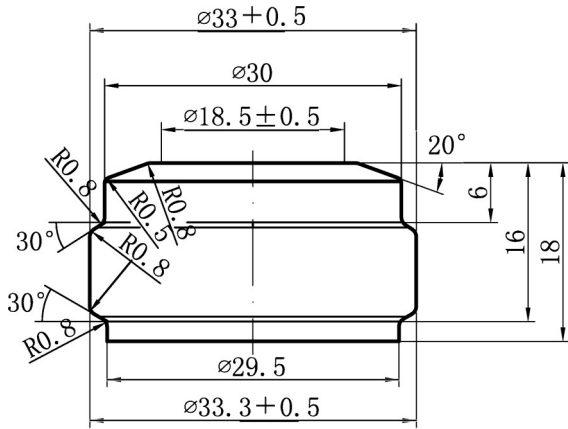




**PIONEER  
PACKAGING**

Seattle • Portland

**PG-262 ANTIQUE GREEN**



Capacity	750ml
Overflow	770 ± 10ml
Weight	880 ± 25g
Height	305 ± 1.8mm
Body Ø	88.2 ± 1.6mm
Finish Ø	33 ± 0.5mm
Bore Ø	18.5 ± 0.5mm
Pallet Quantity	77 cases

