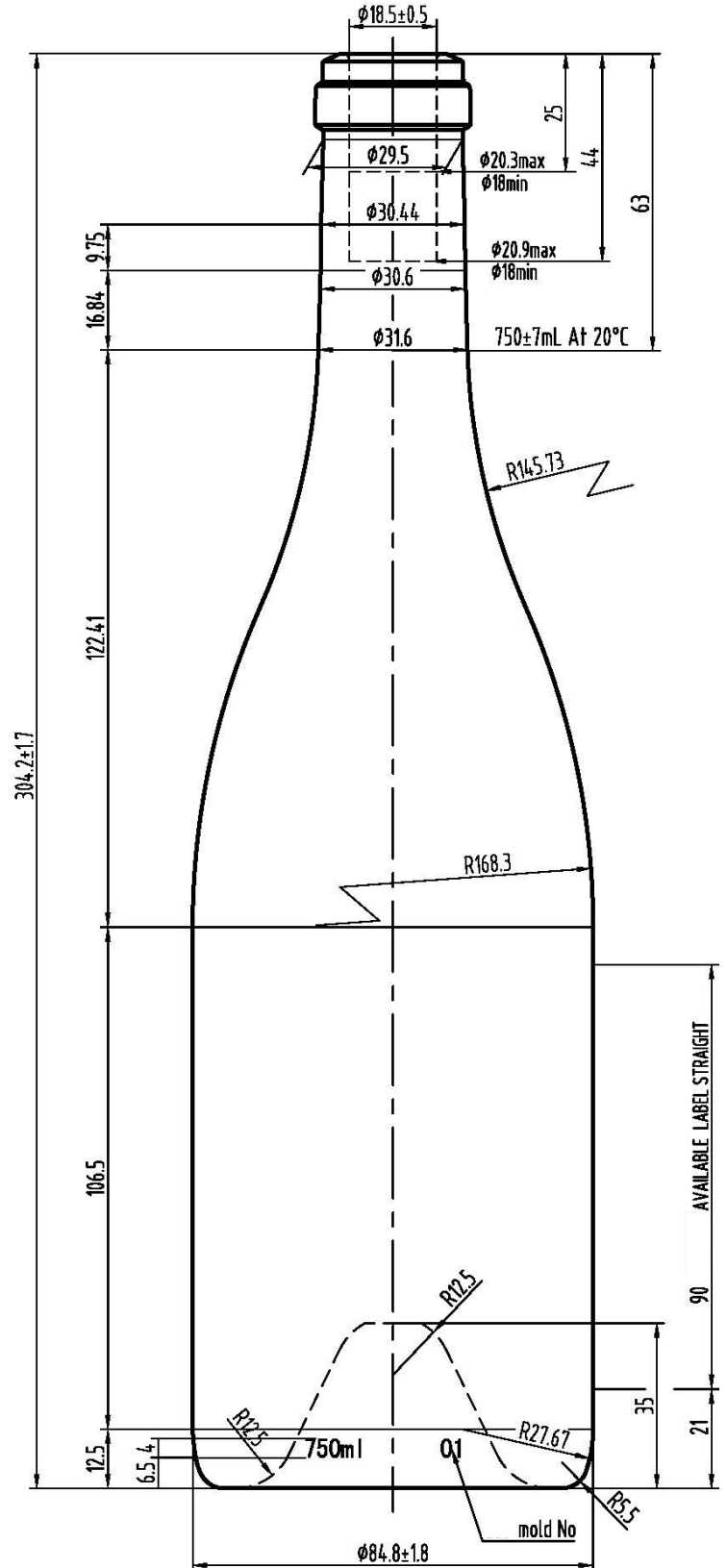
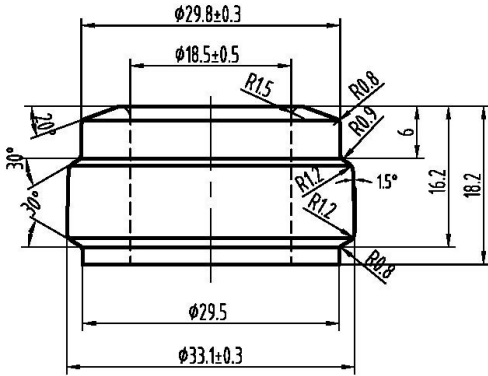




**PIONEER  
PACKAGING**

Seattle • Portland

# PG-260 ANTIQUE GREEN



Capacity	750ml
Overflow	770 ± 7ml
Weight	695 ± 30g
Height	304.2 ± 1.7mm
Body Ø	84.8 ± 1.8mm
Finish Ø	33.1 ± 0.3mm
Bore Ø	18.5 ± 0.5mm
Pallet Quantity	77 cases