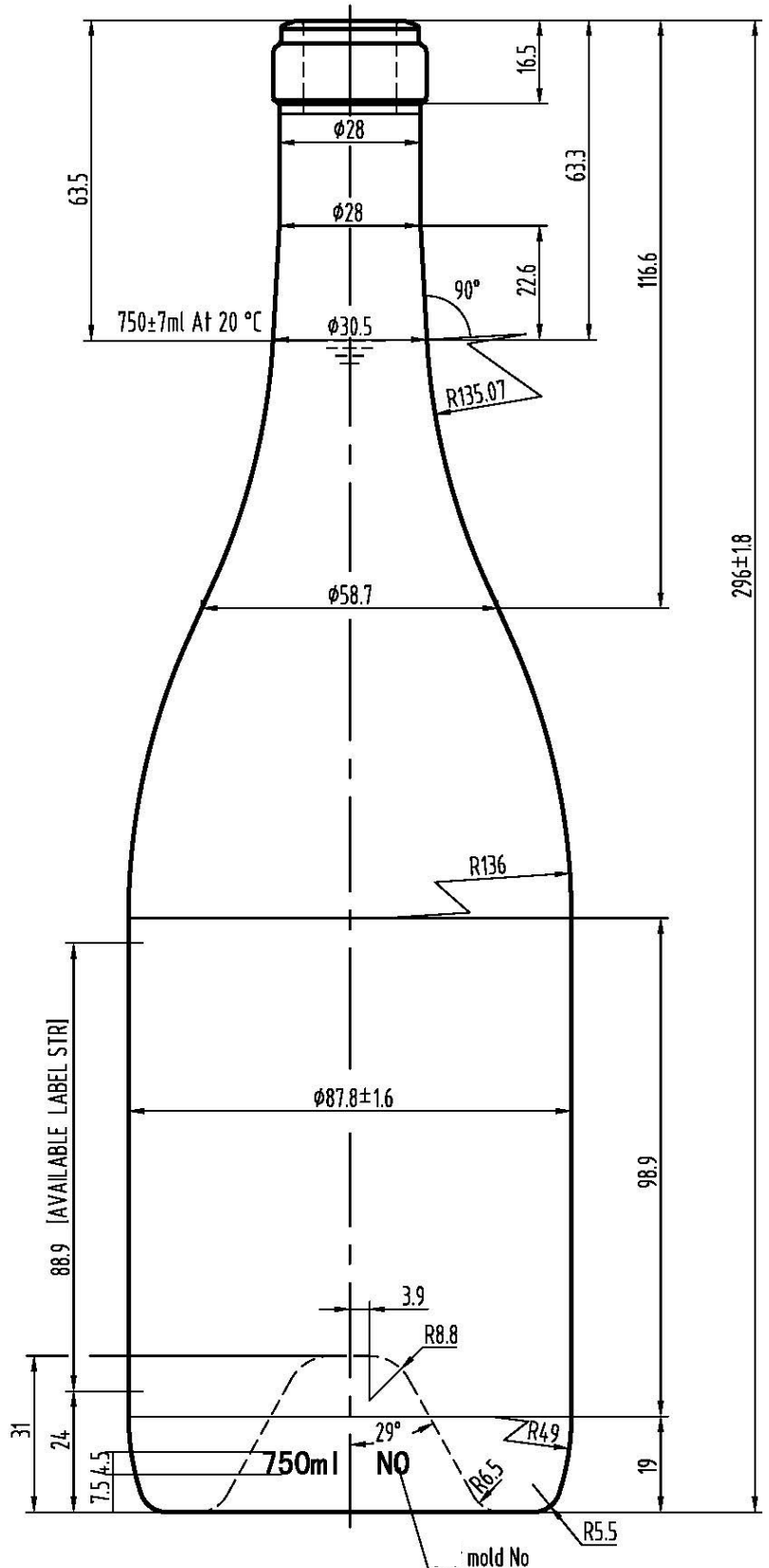
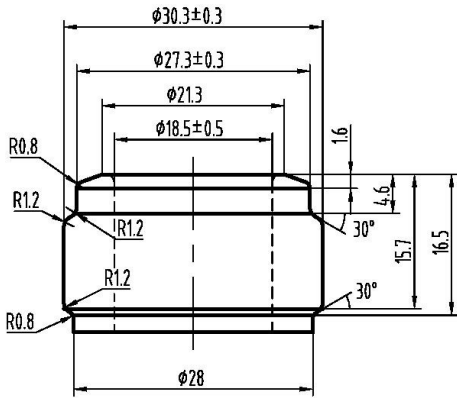




**PIONEER  
PACKAGING**

Seattle • Portland

**PG-233 ANTIQUE GREEN**



Capacity	750ml
Overflow	$770 \pm 7\text{ml}$
Weight	$770 \pm 30\text{g}$
Height	$296 \pm 1.8\text{mm}$
Body $\phi$	$87.8 \pm 1.6\text{mm}$
Finish $\phi$	$30.3 \pm 0.3\text{mm}$
Bore $\phi$	$18.5 \pm 0.5\text{mm}$
Pallet Quantity	88 cases