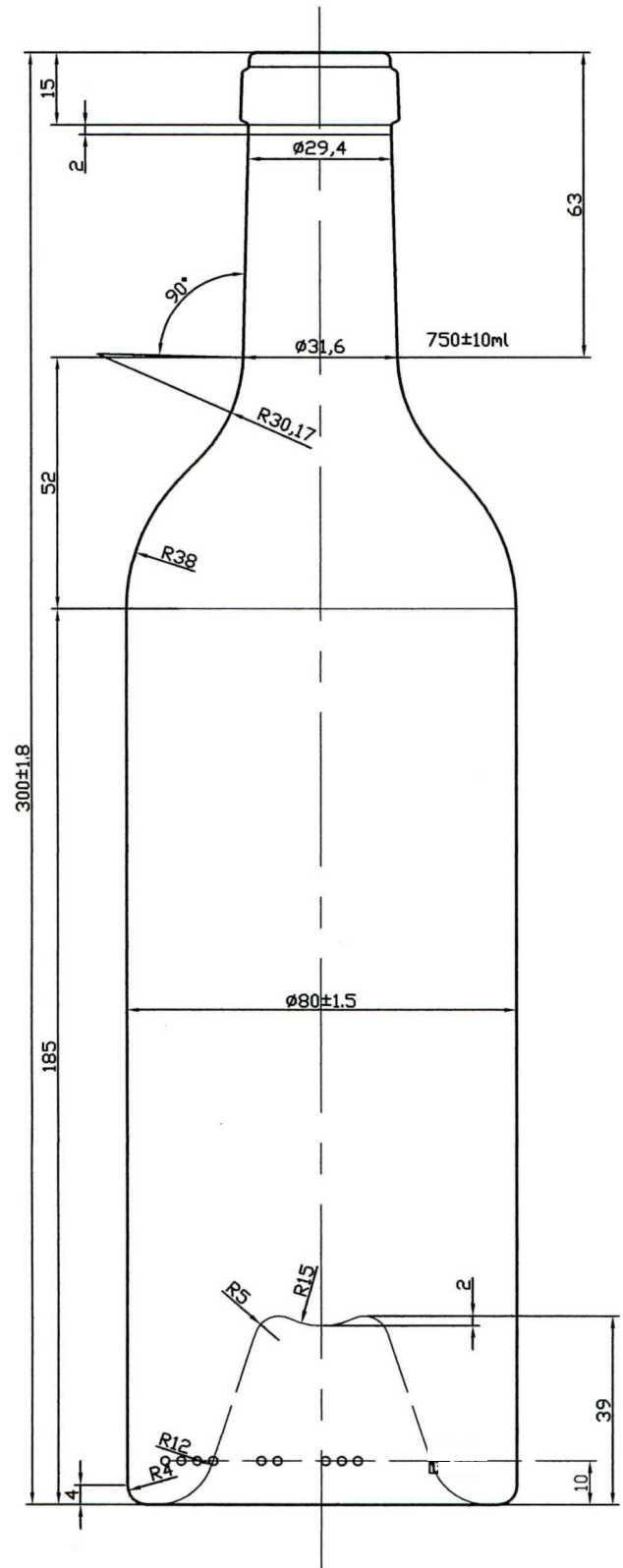
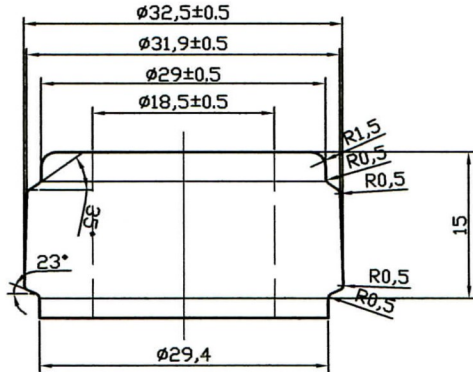




**PIONEER  
PACKAGING**

Seattle • Portland

**PG-160 ANTIQUE GREEN**



Capacity	750ml
Overflow	$772 \pm 10\text{ml}$
Weight	$762 \pm 25\text{g}$
Height	$300 \pm 1,8\text{mm}$
Body $\varnothing$	$80,0 \pm 1,5\text{mm}$
Finish $\varnothing$	$32,5 \pm 0,5\text{mm}$
Bore $\varnothing$	$18,5 \pm 0,5\text{mm}$
Pallet Quantity	112 cases