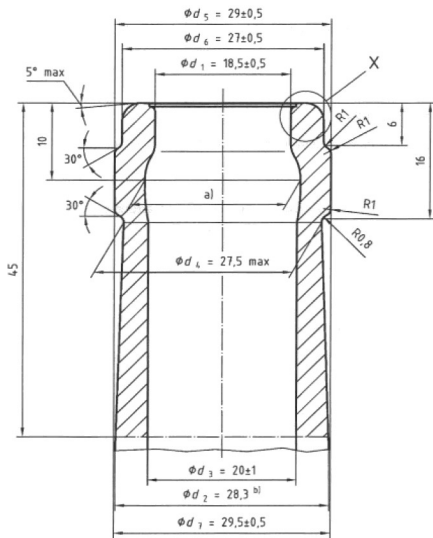




# PIONEER PACKAGING

Seattle • Portland

## MAG BORDELAISE GRAND VIN AG



|                 |              |
|-----------------|--------------|
| Capacity        | 1500ml       |
| Overflow        | 152.4ml      |
| Weight          | 1040g        |
| Height          | 356.3 ± 2mm  |
| Body Ø          | 99 ± 1.7mm   |
| Finish Ø        | 29.5mm       |
| Bore Ø          | 18.5 ± 0.5mm |
| Pallet Quantity | 60 cases     |

