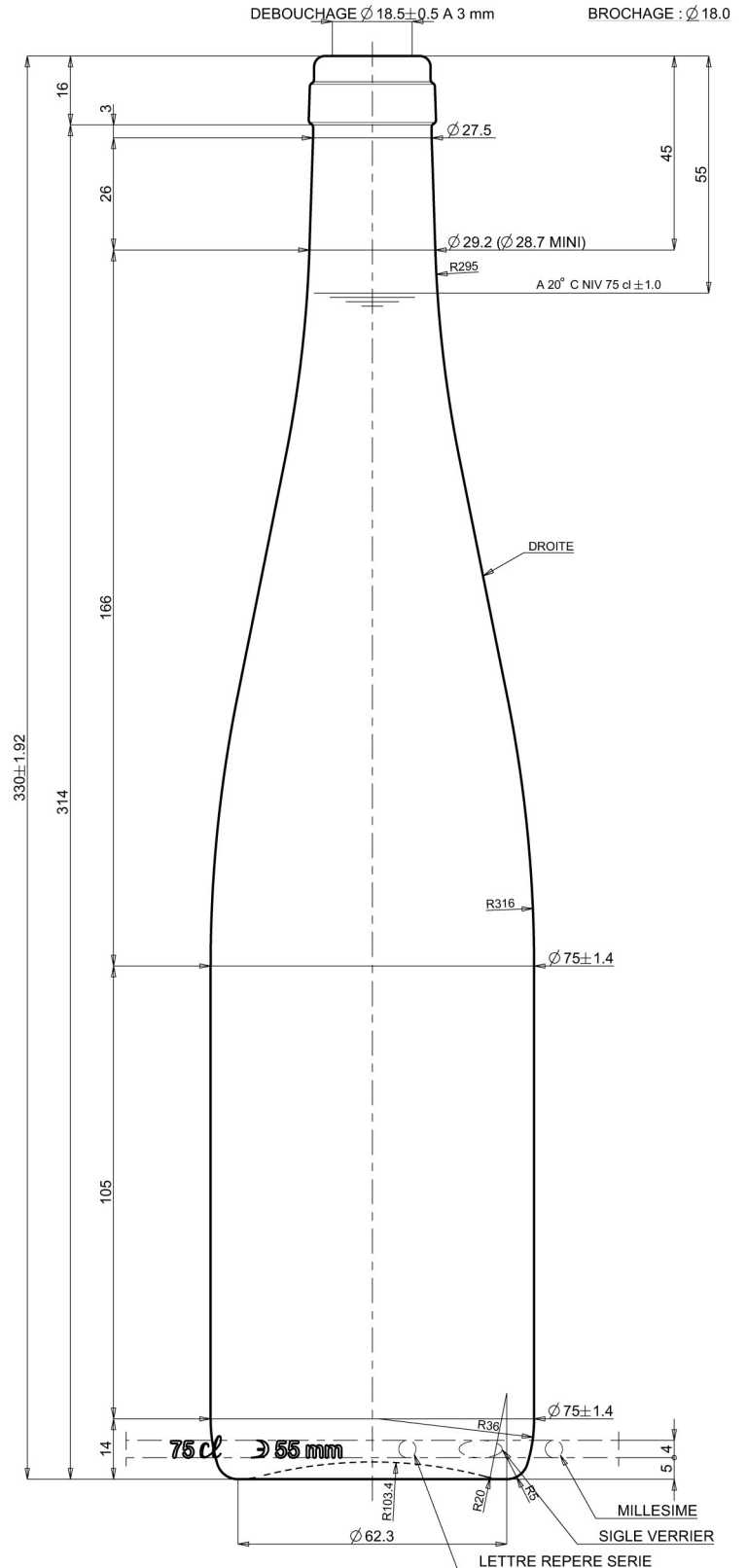
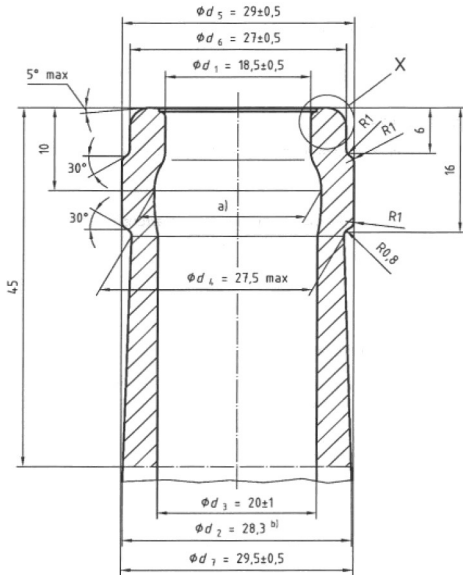




**PIONEER
PACKAGING**

Seattle • Portland

FLUTE EVOLUTION AG, FLT



Capacity	750ml
Overflow	760.6ml
Weight	440g
Height	330 ± 1.92mm
Body Ø	75 ± 1.4mm
Finish Ø	29.5mm
Bore Ø	18.5 ± 0.5mm
Pallet Quantity	105 cases