

Quick Start Guide

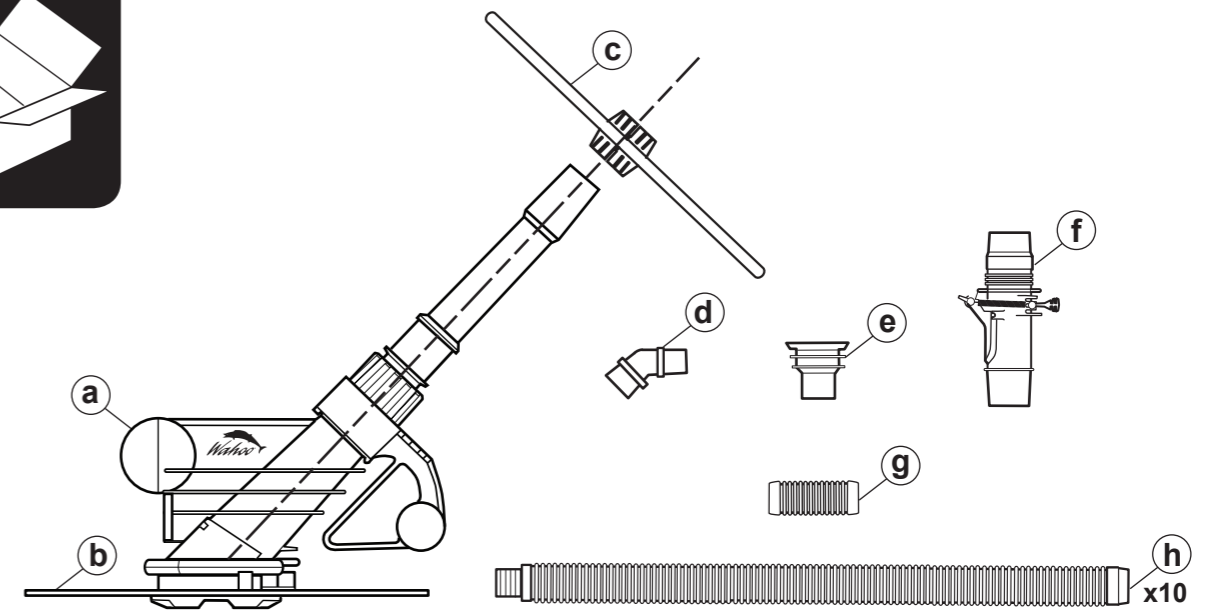


⚠ WARNING

RISK OF SUCTION ENTRAPMENT HAZARD, WHICH IF NOT AVOIDED, CAN RESULT IN SERIOUS INJURY OR DEATH. READ THIS MANUAL IN ITS ENTIRETY BEFORE INSTALLING AND OPERATING THE CLEANER. Ensure that the vacuum suction fittings installed in your pool for connection of your suction-side pool cleaner are certified compliant with applicable safety standards, such as IAPMO SPS 4. Do not block the suction fittings in the pool, the suction opening on this product, or the cleaner hoses with any part of your body. Do not expose your hair, loose clothing, jewelry, etc. to any suction outlet fittings in the pool/spa, on this product, or on the cleaner. Do not operate the cleaner outside of the pool. Do not let children play with cleaner.

For complete installation instructions, please download the manual from the website, call the customer service number or submit a written request to:

Zodiac Pool Systems, Inc.
 2620 Commerce Way, Vista, CA
 92081-8438 USA
 (00)1-800-822-7933
www.zodiacpoolsystems.com



- a Cleaner Body
- b Finned Disc
- c Wheel Deflector
- d 45° Elbow
- e Valve Cuff
- f FlowKeeper™ Valve
- g 4½ in (11.4cm) Connector
- h Hose Section x10



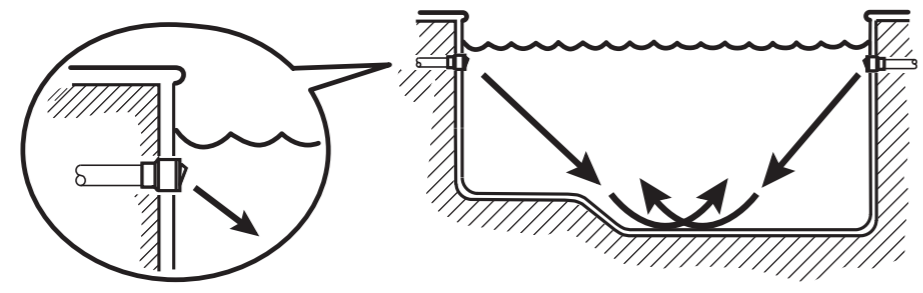
1 To avoid serious injury, turn off the pool filter pump.

2

Clean pool filter and baskets.

3

Direct return lines down to pool floor.

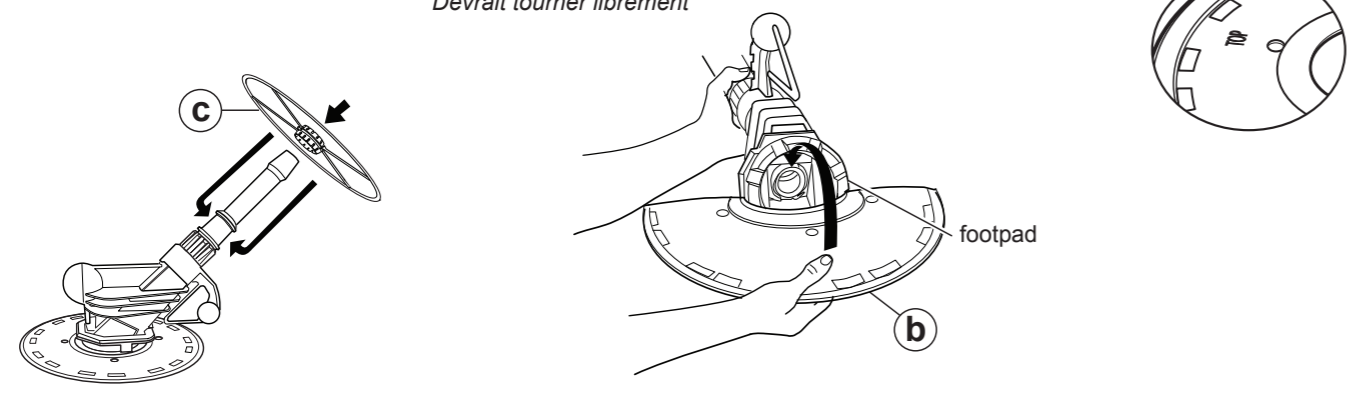


4

should rotate freely

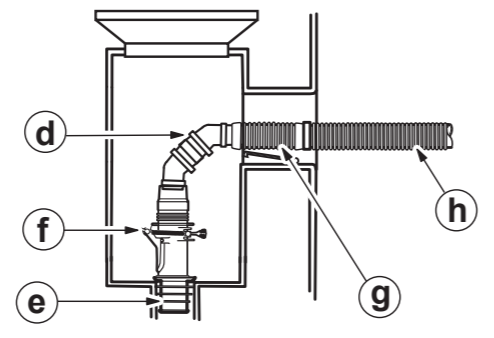
Should fit securely in groove. Should rotate freely.
*Le disque doit s'insérer fermement dans la rainure.
Devrait tourner librement*

TOP is facing up



5

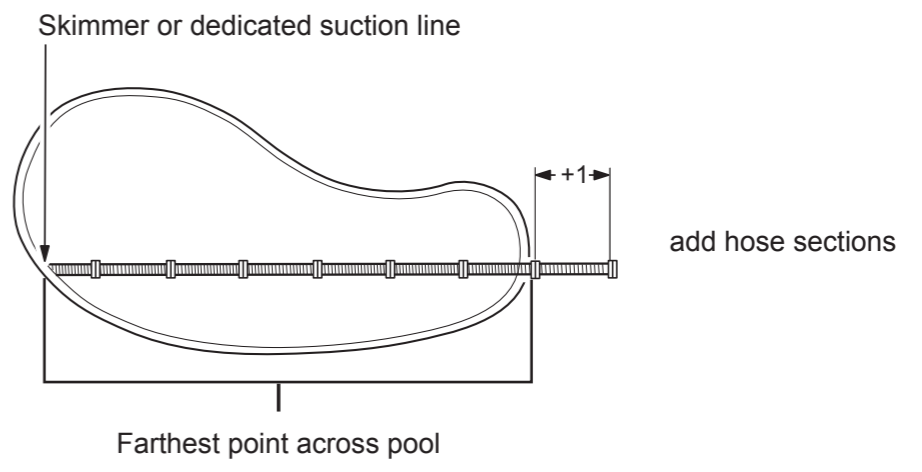
Connect to a skimmer



6

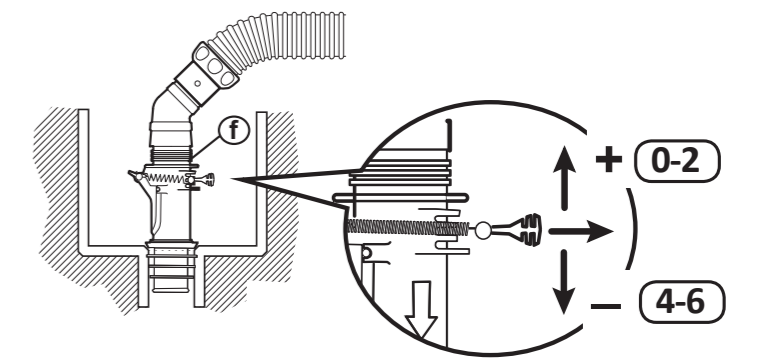
Turn on pool filter pump.

7



8

If necessary, adjust Flow Keeper™ Valve (C) setting or adjust valves at the equipment pad.

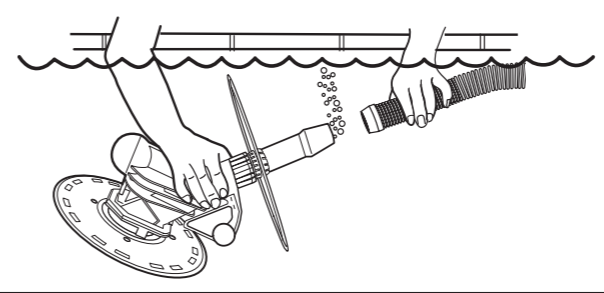


9



To avoid serious injury, turn off the pool filter pump before continuing.

10

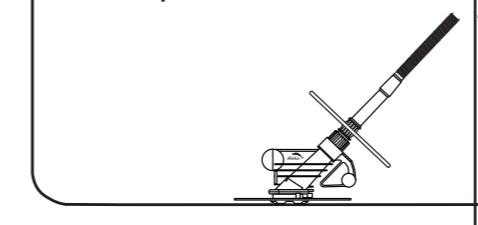


11

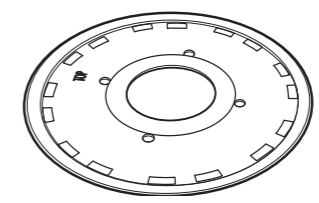
Turn on pool filter pump to begin cleaning.

Operations

Cleans pool floor.



Never coil the hose.



When not in pool, keep the slotted disc flat to avoid warping.