

WHERE VERSATILITY
MEETS DURABILITY

CONVENIENT PERFORMANCE TO SAVE BOTH TIME AND ENERGY.

The PowerFlo Matrix is engineered to dependably adapt to the unique needs of a wide variety of above-ground pool setups. Built with convenience in mind, PowerFlo Matrix offers features like an extra-large basket and discharge orientation that can change with the push of a button—all to deliver the hassle-free usage and long-term performance that pool owners expect.

Industrial-size strainer

basket extends time between pump cleanings

Quick-connect port provides fast access to pump intake and discharge

Easy-remove strainer uses a C-Clip Connector to disengage in seconds



Horizontal/vertical discharge converts pump orientation with the push of a button

High-performance motor includes an integrated automatic thermal overload protector

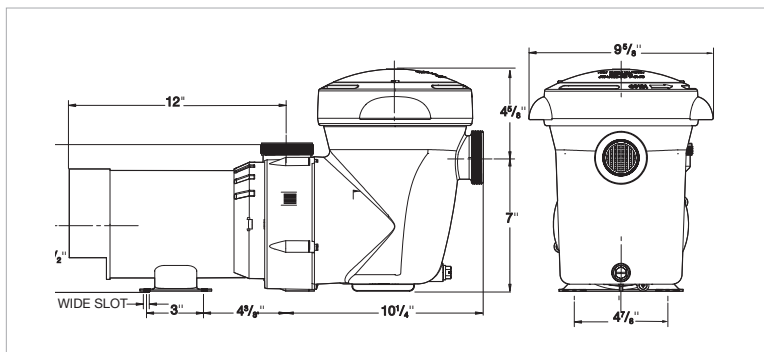
Corrosion-proof housing stands up to both pool water and outdoor wear

SPECIFICATIONS

MODEL NUMBER	TOTAL HORSEPOWER	VOLTAGE	INLET/OUTLET	WEIGHTED ENERGY FACTOR (WEF)*	WARRANTY
SP1592	1.0	115V	1.5"	3.4	1 year
SP1592TL**	1.0	115V	1.5"	3.4	1 year
SP1593	1.5	115V	1.5"	3.5	1 year
SP1593TL **	1.5	115V	1.5"	3.5	1 year

*The higher the weighted energy factor (WEF), the more efficient the pump. Visit hayward.com/regulations for more information
 **"TL" pumps include 3' twisting lock cord

POWERFLO MATRIX DIMENSIONS (INCHES)



PERFORMANCE DATA

MODEL NUMBER	PUMP OUTPUT (GPM) vs. TOTAL RESISTANCE TO FLOW (FEET OF HEAD)					
	10ft	20ft	30ft	40ft	50ft	30ft
SP1592	86	86	75	58	27	--
SP1593	91	91	80	62	32	--