



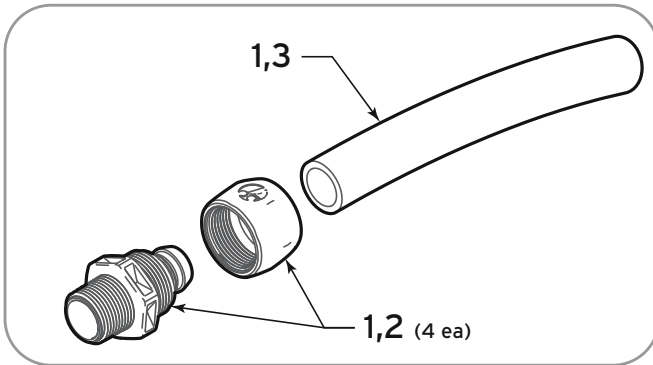
## Read the following Warning Before Proceeding

### **!** WARNING

Pipe dope should **NEVER** be used on barb threads or any other plastic threads. Pipe dope will severely weaken the plastic, causing leakage and may cause the plastic to fracture. **DO NOT OVERTIGHTEN.** Overtightening the quick connect barb fitting into the inlet or outlet ports of the pump may cause the plastic to strain or fracture causing leakage.



H0609400\_REVA



### Replacement Parts List

ITEM	Part	Description
01	R0617100	Quick Connect Install Kit
02	R0621000	Quick Connect 4 Pack
03	P19	Reinforced Hose 6 ft.

## WARNING

In order to reduce the risk of injury, do not permit children to use this product.

To reduce the risk of property damage or injury, do not attempt to change the backwash (multiport, slide, or full flow) valve position with the pump running.

Polaris pumps are powered by a high voltage electric motor and must be installed by a licensed or certified electrician or a qualified swimming pool service technician.

## WARNING

### **RISK OF ELECTRIC SHOCK, FIRE, PERSONAL INJURY, OR DEATH.**

Connect only to a branch circuit that is protected by a ground-fault circuit-interrupter (GFCI). Contact a qualified electrician if you cannot verify that the circuit is protected by a GFCI. Make sure such a GFCI should be provided by the installer and should be tested on a routine basis. To test the GFCI, push the test button. The GFCI should interrupt power. Push the reset button. Power should be restored. If the GFCI fails to operate in this manner, the GFCI is defective. If the GFCI interrupts power to the pump without the test button being pushed, a ground current is flowing, indicating the possibility of electrical shock. Do not use the pump. Disconnect the pump and have the problem corrected by a qualified service representative before using.

Due to the potential risk of fire, electric shock, or injuries to persons, Polaris Pumps must be installed in accordance with the National Electrical Code® (NEC®), all local electrical and safety codes, and the Occupational Safety and Health Act (OSHA®). Copies of the NEC may be ordered from the National Fire Protection Association® (NFPA®) online at [www.nfpa.org](http://www.nfpa.org) or call 617-770-3000, or contact your local government inspection agency.

Incorrectly installed equipment may fail, causing severe injury or property damage.

## WARNING

- Do not connect the system to an unregulated city water system or other external source of pressurized water producing pressures greater than 35 PSI.
- Incorrectly installed equipment may fail, causing severe injury or property damage.
- Trapped air in system can cause the filter lid to be blown off, which can result in death, serious personal injury, or property damage. Be sure all air is out of the system before operating.

To minimize the risk of severe injury or death, the filter and/or pump should not be subjected to the piping system pressurization test.

Local codes may require the pool piping system to be subjected to a pressure test. These requirements are generally not intended to apply to the pool equipment such as filters or pumps.

Polaris pool equipment is pressure tested at the factory.

However, if the WARNING cannot be followed and pressure testing of the piping system must include the filter and/or pump, **BE SURE TO COMPLY WITH THE FOLLOWING SAFETY INSTRUCTIONS:**

Check all clamps, bolts, lids, lock rings and system accessories to ensure they are properly installed and secured before testing.

**RELEASE ALL AIR** in the system before testing.

Water pressure for test must **NOT EXCEED 35 PSI**.

Water temperature for test must **NOT EXCEED 100°F (38°C)**.

Limit test to 24 hours. After test, visually check system to be sure it is ready for operation.

**NOTICE:** These parameters apply to Polaris equipment only. For non-Polaris equipment, consult equipment manufacturer.

Chemical spills and fumes can weaken pool/spa equipment. Corrosion can cause filters and other equipment to fail, resulting in severe injury or property damage. Do not store pool chemicals near your equipment.

## SECTION 1. GETTING STARTED

Before beginning any work be sure to abide by the following:

- If the pump is below the water level of the pool or spa, ensure that all shut off valves to the pump are closed.
- Disconnect electrical power to the filter pump at the breakers to ensure that the filter pump will remain off for the duration of the procedure.
- Disconnect electrical power to the booster pump at the breakers.
- Allow a minimum of 5 minutes for the capacitor to discharge before beginning any electrical work.

## SECTION 2. REQUIRED EQUIPMENT

The following list of equipment should be available to the installer at the time of install. Failure to use the appropriate safety and installation equipment could lead to personal injury or property damage.



Safety Eye  
Wear



Adjustable  
Wrench



Gloves



Hose Cutters



PTFE (Teflon™)  
Tape

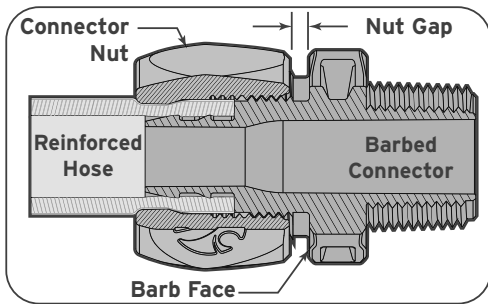
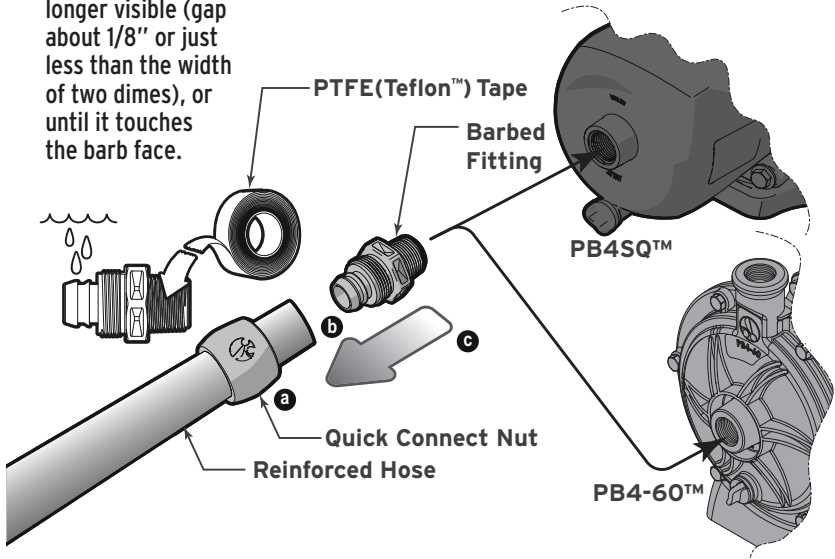
## SECTION 3. CONTENTS

ITEM	Part#	Description	QTY
01	R0617100	Quick Connect	4
		Reinforced Hose	6 ft.
02	R0621000	Quick Connect	4
03	P19	Reinforced Hose	6 ft.

## SECTION 4. PLUMBING CONNECTIONS

1. Remove quick connect fittings and flexible hose. (R0617100), (R0621000), (P19)
  - a Loosen quick Connector nut.
  - b Pull hose free from barbed fitting.
  - c Loosen barbed fitting and remove from the inlet or outlet port of the pump.
2. Install quick connect fittings and flexible hose. (R0617100), (R0621000), (P19)
  - Apply 4 to 6 wraps of PTFE (Teflon®) tape to the tapered thread of the connector barb.
  - Thread and tighten the tapered thread of the connector barb into the inlet or outlet port on the pump body.
  - Trim the reinforced hose to the required length. Make sure the cut is clean and square. Avoid unnecessary loops or bends in the hose.
  - Slide connector nut onto the trimmed end of the hose with threaded end toward the cut end of the hose.

- Apply water to connector barb to help hose slide over barbs. Push trimmed edge of hose fully onto the connector barb.
- Slide/Rotate the connector nut to the barb to engage threads correctly, do not cross thread connector nut. Tighten the connector nut until threads are no longer visible (gap about 1/8" or just less than the width of two dimes), or until it touches the barb face.



## **⚠ WARNING**

Pipe dope should NEVER be used on barb threads. Pipe dope will severely weaken the plastic, causing leakage and may cause the plastic to fracture. DO NOT OVERTIGHTEN.

Do not start pump dry! Running the pump dry for any length of time will cause severe damage and will void the warranty.

This pump is for use with permanently installed pools and may also be used with hot tubs and spas if so marked. Do not use with storable pools. A permanently installed pool is constructed in or on the ground or in a building such that it cannot be readily disassembled for storage. A storable pool is constructed so that it may be readily disassembled for storage and reassembled to its original integrity.

Do not install within an outdoor enclosure or beneath the skirt of a hot tub or portable spa. The pump requires adequate ventilation to maintain air temperature at less than the maximum ambient temperature rating listed on the motor rating plate.

### **Zodiac Pool Systems, Inc.**

2620 Commerce Way, Vista, CA 92081  
1.800.822.7933 | [www.polarispool.com](http://www.polarispool.com)

### **Zodiac Pool Systems Canada, Inc.**

2115 South Service Road West, Unit 3  
Oakville, ON L6L 5W2  
1.888.647.4004 | [www.ZodiacPoolSystems.ca](http://www.ZodiacPoolSystems.ca)

ZODIAC® is a registered trademark of Zodiac International, S.A.S.U., used under license. All other trademarks referenced herein are the property of their respective owners.