

SAFETY SHIELD KIT

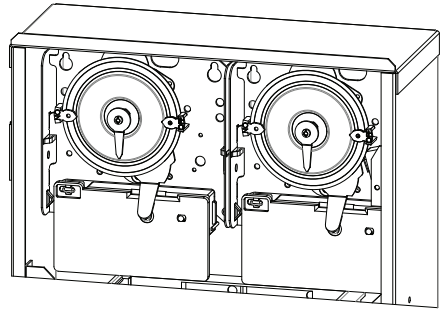
! WARNING *Risk of Fire or Electrical Shock!*

Turn power OFF at main panel before installing the Digital Clock Mechanism and/or this Safety Shield.

A) If this is what you have...

(Two Mechanical timers in one Panel)

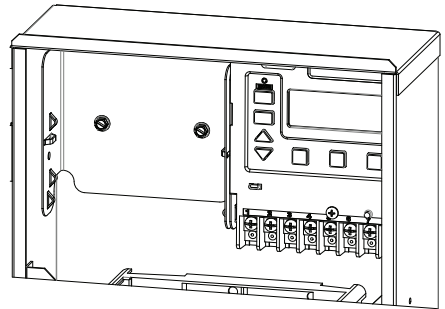
- A 1. Disconnect electricity at the Main Panel.
- A 2. Optional - label each lead or make a diagram of Leads connected to terminals of each timer.
- A 3. Remove Time Clocks.



B) ...and want to convert to this...

(Install a Digital Clock Mechanism)

- B 1. Review the Installation Manual of the Digital Mechanism you are about to install.
- B 2. Make Low voltage accessory connections, if any, on back of Mechanism and snap Mechanism into one of the brackets.
- B 3. Make high voltage connections to the Digital Mechanism terminals.
- B 4. If applicable, follow instructions in Manual for installing Low Voltage accessories.



C)...you also have to do this.

(Install the Safety Shield, supplied.)

For added safety, you also have to install the Safety Shield included with the Digital Clock Mechanism.

- C 1. Using the two #10 self tapping screws, attach Shield to the Dead Front as shown.

