



Underwater ColorLogic[®] Lighting Fixtures[™]

LED Light Fixtures for Swimming Pools and Spas

Installation and Operation Manual



Contents

- Safety Instructions.....1
- Introduction.....2
- Installation.....3
- Operation.....6
- Troubleshooting.....6
- Warranty.....7

FILE E39338



SP0524(S) SP0532(S)
 SP0525(S) SP0533(S)
 W3SP0527(S) W3SP0535(S)
 SP0527(S) SP0535(S)
 SPX0525(S) SPX0533(S)

Hayward Industries
 400 Connell Drive, Suite 6100
 Berkeley Heights, NJ 07922
 Phone: (908) 355-7995
www.hayward.com



092153A



HAYWARD®

IMPORTANT SAFETY INSTRUCTIONS INSTRUCTIONS DE SÉCURITÉ IMPORTANTES INSTRUCCIONES IMPORTANTES DE SEGURIDAD

⚠ WARNING RISK OF ELECTRIC SHOCK

1. Read and follow all instructions. When installing and using this electrical equipment, basic safety precautions should always be followed. Failure to follow instructions may result in injury.
2. Risk of electric shock. Do not open. Light has no user serviceable parts inside.
3. To reduce the risk of injury, do not permit children to use this product unless they are closely supervised at all times.
4. Disconnect electrical power before installing or servicing this equipment.
5. Improper installation may result in death or serious injury to bathers or service personnel or others by way of electric shock.



⚠ CAUTION

6. This swimming pool or spa light is UL listed for permanently installed pools or spas only. It is not listed for storable pools or spas. Permanently installed pools and spas are those constructed in or partially in the ground and all others capable of holding water in a depth greater than 42 in (1.07 m). Storable pools and spas are those constructed on or above the ground and capable of holding water to a maximum of 42 in (1.07 m).
7. This light fixture must be installed by qualified personnel in compliance with the National Electric Code (NEC) and any applicable local codes and/or regulations.

SAVE THESE INSTRUCTIONS

⚠ AVERTISSEMENT RISQUE D'ÉLECTROCUTION

1. Lisez et respectez toutes les instructions. Durant l'installation et l'utilisation du matériel électrique, vous devrez respecter les précautions de base en tout temps, au risque de blessure.
2. Risque d'électrocution. N'ouvrez pas le projecteur. Le projecteur ne comporte aucune pièce réparable ou remplaçable par l'utilisateur.
3. Pour réduire les risques de blessure, ne permettez pas à un enfant de manipuler ce produit, à moins qu'il ne soit étroitement surveillé par un adulte.
4. Coupez l'alimentation électrique avant d'installer ou de réparer ce matériel.
5. Une installation inadéquate peut causer des blessures graves, voire la mort, par électrocution.

⚠ ATTENTION

6. Le présent projecteur pour piscine ou spa figure sur la liste UL pour les piscines et les spas installés de façon permanente seulement. Il ne figure pas sur la liste des piscines ou spas démontables. Les piscines et les spas installés de façon permanente sont ceux construits complètement ou en partie dans le sol, ainsi que ceux pouvant contenir de l'eau à une profondeur de plus de 42 po (1,07 m). Les piscines et les spas démontables sont ceux installés sur ou au-dessus du sol et pouvant contenir de l'eau dans une profondeur maximale de 42 po (1,07 m).
7. Le projecteur doit être installé par une personne qualifiée conformément au NEC et à tout code local en vigueur.

CONSERVEZ CES INSTRUCTIONS

⚠ ADVERTENCIA PELIGRO DE ELECTROCUCIÓN

1. Lea y siga todas las instrucciones. Al instalar y usar este equipo eléctrico se deben observar siempre precauciones básicas de seguridad. Si no se siguen las instrucciones, podrían producirse lesiones.
2. Peligro de electrocución. No abrir. La lámpara carece de piezas en el interior que el usuario pueda reparar.
3. Para reducir el peligro de lesiones, no permita que los niños utilicen este producto a menos que estén bajo atenta supervisión en todo momento.
4. Desconecte la alimentación eléctrica antes de instalar o reparar este equipo.
5. La instalación incorrecta puede producir la muerte o lesiones graves por electrocución a los bañistas, al personal de servicio u otras personas.

⚠ ATENCIÓN

6. Esta lámpara para piscina o jacuzzi está aprobada por UL únicamente para piscinas o jacuzzis instalados permanentemente. No ha sido aprobada para piscinas o jacuzzis almacenables. Las piscinas y jacuzzis instalados permanentemente son aquellos construidos total o parcialmente bajo el nivel del suelo, y todos los que puedan contener agua a una profundidad mayor de 42 pulgadas (1.07 m). Las piscinas y jacuzzis almacenables son aquellos construidos a nivel del suelo o por encima de éste, y que puedan contener agua hasta un nivel máximo de 42 pulgadas (1.07 m).
7. Esta lámpara debe instalarla personal calificado, de conformidad con el Código Nacional de Electricidad (NEC, siglas en inglés) y todo código o reglamento local pertinente.

CONSERVE ESTAS INSTRUCCIONES





Introduction

The Hayward® ColorLogic® LED (light-emitting diode) underwater lighting fixture you have purchased is designed to mount into Hayward fixture housings (niches) manufactured 1993 and later. Hayward light fixtures may fit into other niches, but the installation will not carry a UL approval.

Hayward SP0524, SP0525, and W3SP0527/SP0527 Series ColorLogic LED pool lights are UL listed under file number E39338 and, to be approved, must be used with Hayward models SP0600, SP0607, SP0604C, or SP0609C fixture housings (niches). Hayward SP0532, SP0533 and W3SP0535/SP0535 Series ColorLogic LED spa lights are UL listed under file number E39338 and, to be approved, must be used with Hayward models SP0601, SP0608, SP0606C, or SP0610C fixture housings (niches). Installation of light and niche must be in accordance with Article 680 of the National Electric Code (NEC) and any applicable local codes. If non-metallic conduit is used, a #8 AWG grounding conductor must be run through the conduit and connected to the grounding connector on the inside of the niche. This connection must be encapsulated using a listed potting compound in accordance with NEC Article 680-20, such as 3M Scotch Cast Wet Niche Potting Compound No. 2135 (UL file E130394) or equivalent. The integral external connection on the niche should be connected to a #8 AWG bonding conductor also required by the NEC. Please refer to your niche instructions for details.

Except when the fixture is installed in an area of the swimming pool or spa that is not used for swimming and the lens is adequately guarded to keep any person from contacting it, the fixture must be installed in or on a wall of the pool or spa, with the top of the lens not less than 18 inches (46 cm) below the normal water level of the pool or spa.

Important Note When Installing Niches in Concrete/Gunite Pools

SP0600, SP0601 and SP0608 Niches: A cardboard cover and 2 screws are provided with the niche to protect the niche and mounting screw holes. Leave these in place during construction to prevent intrusion of concrete which may damage the niche or screw threads. REMOVE and discard both the screws and the protective cardboard cover when ready to install the light fixture.

SP0604C, SP0606C, SP0609C, and SP0610C Niches: A plastic cover is provided with the niche to protect the niche and mounting screw holes. Leave the cover in place during construction to prevent intrusion of concrete which may damage the niche or screw threads. Before applying plaster, the outer edge of the cover may be torn off to allow plastering up to the edge of the niche. REMOVE and discard the plastic cover when ready to install the light fixture. If the light fixture is installed in the niche before pool or spa construction, the plastic cover may be reversed and taped to the edge of the light's face plate to protect the light from concrete during construction.

GIVE THESE INSTRUCTIONS TO POOL/SPA OWNER AFTER INSTALLATION

	Model # Modèle No Modelo No.	Voltage Tension Voltaje (VAC)	Wattage Puissance Vataje (W)	Wire Size Taille de câble Tamaño del cable (AWG)	For Use With Niches À utiliser avec des enfoncements Para uso con nichos	For Country Pays Para el país
POOL PISCINE PISCONA	SP0524(S)LED	12	50	12	SP0600U, SP0607U, SP0604C, SP0609C	United States
	SP0525(S)LED SP0527(S)LED W3SP0527(S)LED	120 120 120	50 95 95	16	SP0600U, SP0607U, SP0604C, SP0609C	United States
	SP0532(S)LED	12	25	16	SP0601U, SP0606C, SP0610C, SP0608U	United States
SPA JACUZZI	SP0533(S)LED SP0535(S)LED W3SP0535(S)LED	120 120 120	25 40 40	16	SP0601U, SP0606C, SP0610C, SP0608U	United States
	SP0524CLED	12	50	14	SP0600U, SP0607U, SP0604C, SP0609C	Canada
	SP0525CLED SP0527CLED	120 120	50 95	14	SP0604C, SP0609C	Canada
POOL PISCINE PISCONA	SP0532CLED	12	25	14	SP0601U, SP0606C, SP0610C, SP0608U	Canada
	SP0533CLED SP0535CLED	120 120	25 40	14	SP0606C, SP0610C, SP0608U	Canada
	SP0532CLED	12	25	14	SP0601U, SP0606C, SP0610C, SP0608U	Canada
SPA JACUZZI	SP0533CLED SP0535CLED	120 120	25 40	14	SP0606C, SP0610C, SP0608U	Canada

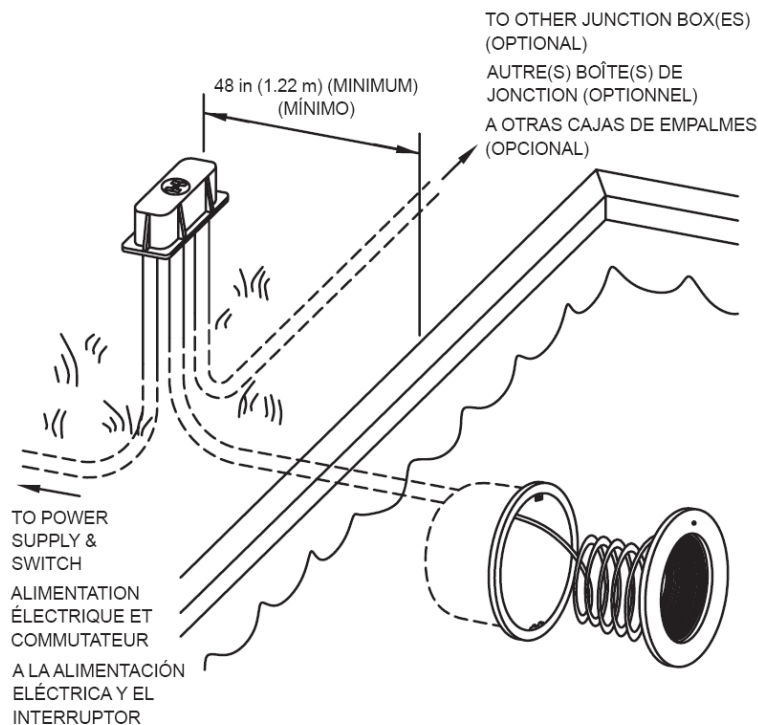
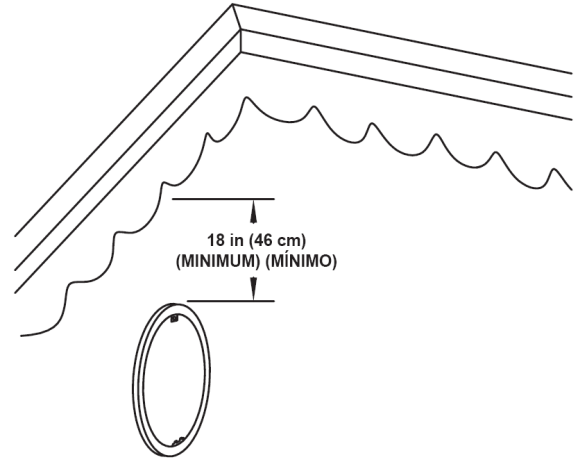


Installation

NOTE: For installation of Hayward fixture housings (niches), see installation instructions provided with the fixture housing.

Install Fixture Housing

The light fixture must be installed in or on a wall of the pool or spa with the top of the lens opening not less than 18 inches (46 cm) below the normal water level of the pool except when the fixture is installed in an area of the swimming pool that is not used for swimming and the lens is adequately guarded to prevent any person from contacting it. Select a location for the light fixture(s) that will give optimum light dispersion for the pool or spa design.



Install Junction Box And Conduit

Select a suitable location for the junction box (Hayward SP680, SP681, or UL listed equivalent) not less than 48 inches (1.22 m) from the edge of the pool or spa. Run conduit from the niche up to the junction box such that the junction box is not less than 8 inches (20 cm) above the maximum pool or spa water level, or not less than 4 inches (10 cm) above the ground, whichever is greater. Additional conduit should be run from the junction box to the power supply, switch panel, pool/spa controller, etc.

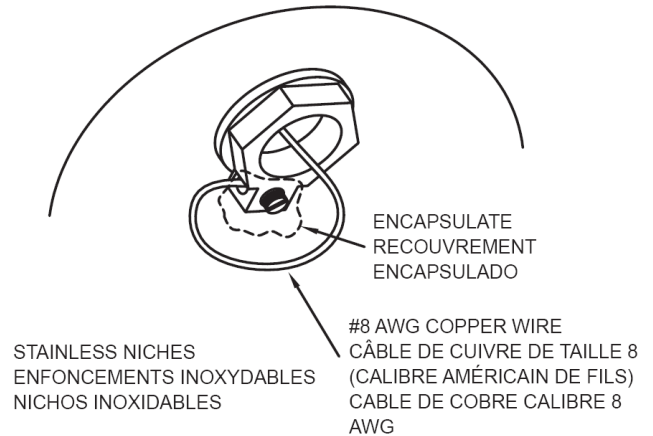
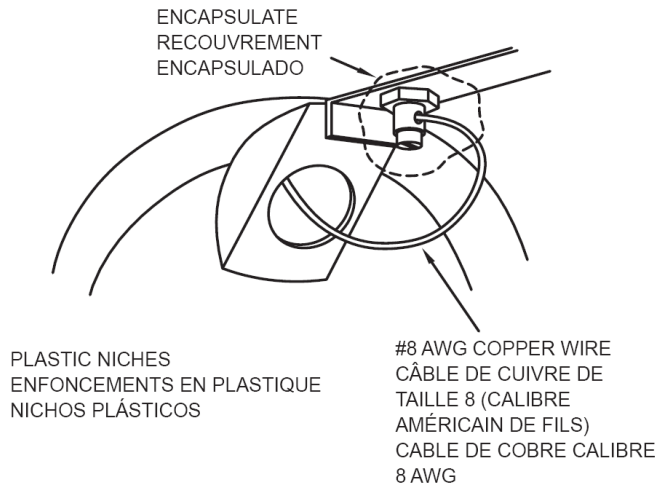
Snake the 3-conductor cord, and a #8 AWG copper ground wire (when non-metallic conduit is used) through the conduit outlet of the fixture housing (niche), into the conduit, and up to the junction box. **DO NOT CUT EXCESS CORD.** Leave adequate cord coiled up in the niche so that the light fixture will be able to be raised to the pool deck for servicing. Cut off extra cord at the junction box.



Connect Ground Wire To Niche (If Necessary)

If non-metallic conduit is used, connect the #8 AWG copper ground wire to the grounding connector inside the fixture housing (niche). This termination must be encapsulated using a listed potting compound* to a thickness of at least 1/8 inch (4 mm) in accordance with Article 680 of the NEC.

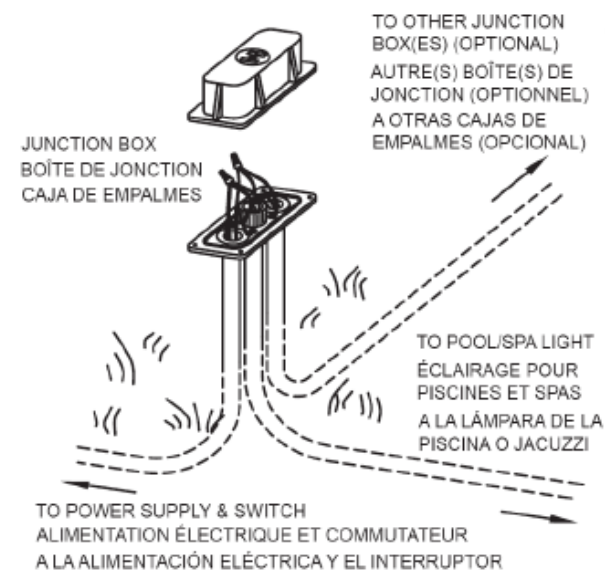
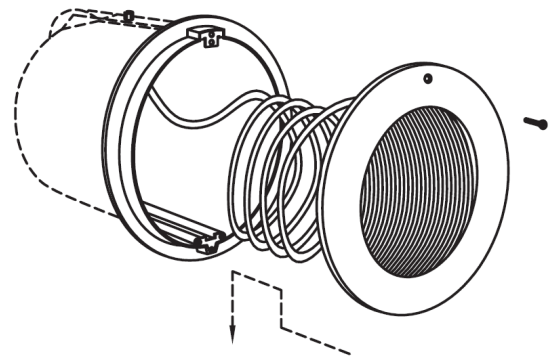
* 3M Inc. Scotch Cast Wet Niche Potting Compound No. 2135 (UL File E130394) or equivalent.



Mount The Light Fixture

Coil up the extra cord and insert it in the fixture housing (niche) behind the light fixture. To mount the light fixture, insert the fixture into the niche with the mounting screw at the top (12 o'clock position). Place the bottom hook in first (6 o'clock position), then tilt the top of the fixture up and secure it with the mounting screw. Be sure the hook on the bottom catches on the niche. When removing the fixture from the niche, unscrew the mounting screw, tilt the top of the fixture out, and lift it up and out.

NOTE: When installing the light into the Hayward SP0607U fixture housing, you must use the brass spacer (included). The mounting screw must pass through the spacer before threading into the mounting hole in the fixture housing.



Install Field-Installed Wiring

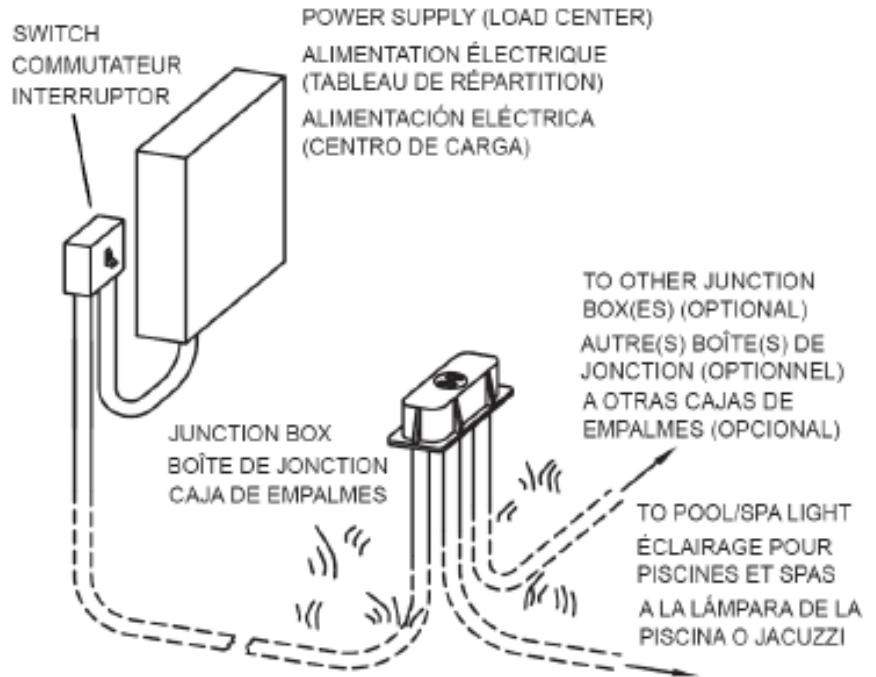
Run conduit from the junction box to the power supply, pool/spa controller, or switch box. Snake 3 wires (match to wire gauge of light cord, or larger) through the conduit from the junction box to the power supply, pool/spa controller, or switch box. If multiple lights are being installed, run additional conduit/wires from the junction box to the additional junction box(es). When wiring multiple lights to the same branch circuit, care should be taken to size the wiring adequately based on the total wattage of all lights connected to the circuit. Use wire nuts to connect the field-installed wiring to the light fixture cord in the junction box. Connect the ground wires to the ground terminal connections inside the junction box.

Connecting The Light To Controls - 120V

In accordance with NEC Article 680-22, all 120v underwater light fixtures must have a GFCI protector. If multiple Hayward ColorLogic lights are installed, they may be synchronized. To enable light synchronization, wire all lights to the same switch or relay. The Hayward ColorLogic lights are controlled via power-cycling. No special controller is required to activate the light and switch it through different modes. The light fixture can be switched with any basic on/off switch (must not be used with a dimmer).

If a Hayward PSC2100 Series Pool/Spa Control System is being used, wire the LED light fixture to either the main "LIGHT" circuit, or the "AUX 4" circuit. The Hayward PSC2100 controller has an integral GFCI for these circuits and an additional GFCI need not be installed. Please note that if the "LIGHT" circuit on the PSC controller is used, the controller must be configured for a non-dimming light (dip switch #1 down). The Hayward ColorLogic LED light fixtures are also compatible with a variety of other pool/spa controllers that control devices through simple on/off switching; refer to your controller's instruction manual for details.

For troubleshooting, please see the operating instructions part of this manual.



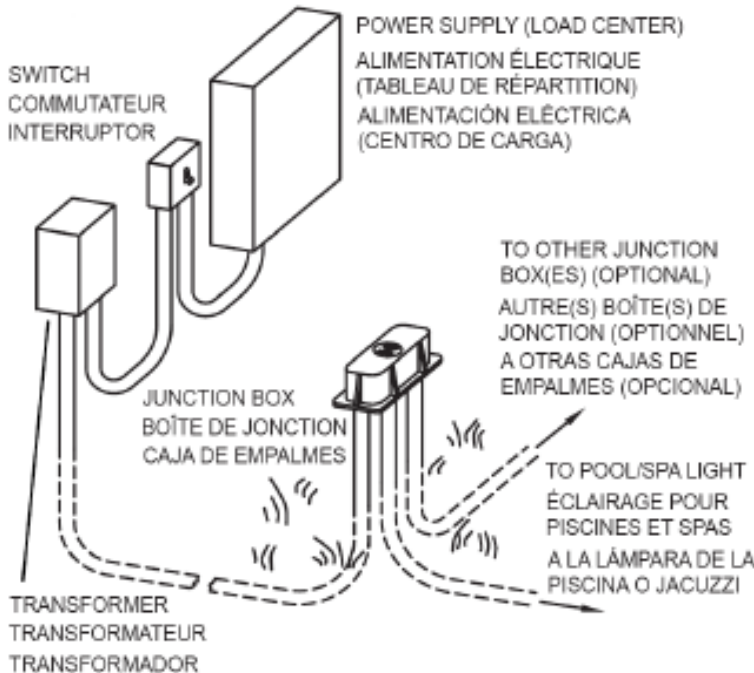
Connecting The Light To Controls - 12V

A suitable transformer must be installed which is rated for low-voltage landscape and swimming pool and spa lights (Intermatic model PX100, PX300, or equivalent). The transformer must be rated at or above the total wattage used by all light fixtures attached. Follow the transformer manufacturer's instructions for wiring it correctly. If multiple Hayward ColorLogic lights are installed, they may be synchronized. To enable light synchronization, wire all lights to the same switch.

The Hayward ColorLogic lights are controlled via power-cycling. No special controller is required to activate the light and switch it through different modes. The light fixture can be switched with any basic on/off light switch (must not be used with a dimmer).

If a Hayward PSC2100 Pool/Spa Control System is being used, wire the LED light fixture to either the main "LIGHT" circuit, or the "AUX 4" circuit. Please note that if the "LIGHT" circuit on the PSC controller is used, the controller must be configured for a non-dimming light (dip switch #1 down). The Hayward LED light fixtures are also compatible with a variety of other pool/spa controllers that control devices through simple on/off switching; refer to your controller's installation manual for details.

For troubleshooting, please see the operating instructions part of this manual. If the total wire length from the transformer to the light exceeds 60 feet, the use of a higher voltage transformer is recommended; see the table on the back cover of this manual for details.





Operation

Getting Started

Congratulations on your purchase of a Hayward ColorLogic LED Light. Welcome to a more colorful world brought to you by Hayward and Chromacore, (R) patented technology that generates colored light and effects using a microprocessor to control red, green, and blue LED's.

Your Hayward ColorLogic underwater pool or spa light has these features:

1. Long-lasting LED's (light-emitting diodes) which can last up to 10 times longer than current incandescent, halogen, or metalhalide pool and spa lights.
2. Multicolor capability without any color wheels or moving parts to wear out.
3. Multicolor program capability which allows you to select any one of 12 different programs, 5 fixed colors, and 7 color shows.
4. Low power consumption. Uses approximately half of the power needed for an ordinary 100 watt light.

Operating The Light

Your Hayward ColorLogic light is operated through power-cycling: a method of changing modes which requires no special controller or interface. To activate the light, simply turn on the switch. To deactivate the light, turn off the switch. To advance to the next program, turn the switch off, then back on within 10 seconds. Whenever the light has been off for over 60 seconds, and is first turned on, it will come on to white for 15 seconds for quick clear view of your pool, then go to the last fixed color or color show it was running.

Light Synchronization

If your pool or spa has multiple Hayward ColorLogic LED lights, they may be operated independently, or they can be easily synchronized so they will all display the same colors and shows at the same time. For light synchronization, all lights must be wired to the same switch. Once installed, all lights should be automatically synchronized, however, if they get out of sync, they can be re-synchronized easily. To re-synchronize your lights, turn the switch on, then back off, then wait between 11 and 14 seconds and turn the switch back on. When the lights come back on, they should enter program #1, and be synchronized.

Programs

Your Hayward ColorLogic light has the capability to display 12 different programs. These programs are advanced using power-cycling. The programs are:

- | | |
|---|--|
| 1. Show - Voodoo Lounge - Fast Color Wash | 7. Show - Twilight - Slow Color Wash |
| 2. Fixed - Deep Blue Sea | 8. Show - Tranquility - Blue/Cyan/White Fade |
| 3. Fixed - Afternoon Skies | 9. Show - Gemstone - Blue/Green/Magenta Fade |
| 4. Fixed - Emerald | 10. Show - USA! - Red/White/Blue Switch |
| 5. Fixed - Sangria | 11. Show - Mardi Gras - Fast Random Fade |
| 6. Fixed - Cloud White | 12. Show - Cool Cabaret - Fast Random Fade |

Troubleshooting

If you have a problem with your Hayward ColorLogic light, please try the following tips before calling for service:

PROBLEM: Light will not advance to the next show when it is power-cycled (turned "off" and then back "on").

SOLUTION: Do not power-cycle the switch rapidly, leave it off for at least 1 second before turning it back on.

PROBLEM: Light goes to white whenever it is power-cycled (turned "off" and then back "on").

SOLUTION: Be sure that you power-cycle the light for less than 10 seconds.

PROBLEM: Multiple lights are not correctly synchronized.

SOLUTION: Follow the steps in these instructions to re-synchronize the lights.

PROBLEM: Light will not come on.

SOLUTION: Check ground fault and reset if necessary.

PROBLEM: Light will not come on or cycles on and off.

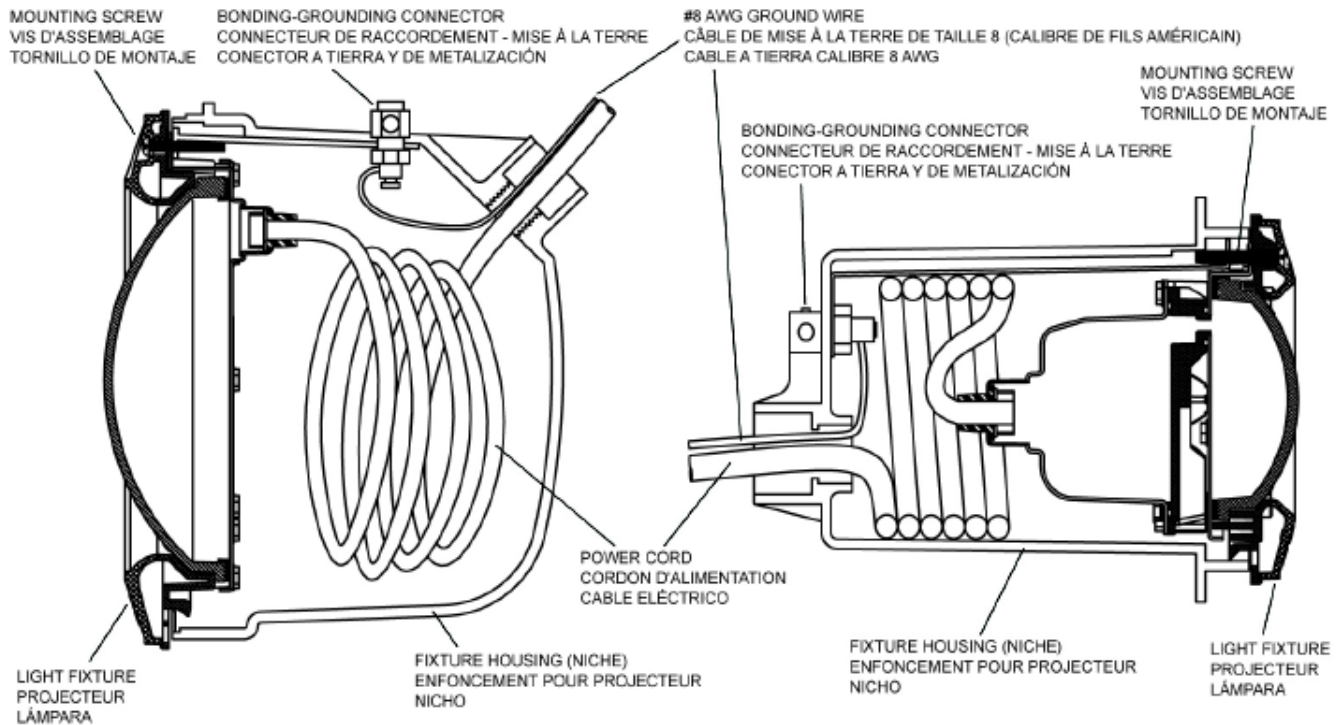
SOLUTION: Automatic thermal switch may be cycling due to excessive temperatures. Check pool or spa water temperature.

PROBLEM: Light does not function properly, or does not function at all.

SOLUTION: Verify that your pool/spa controller is not "dimming" the light.

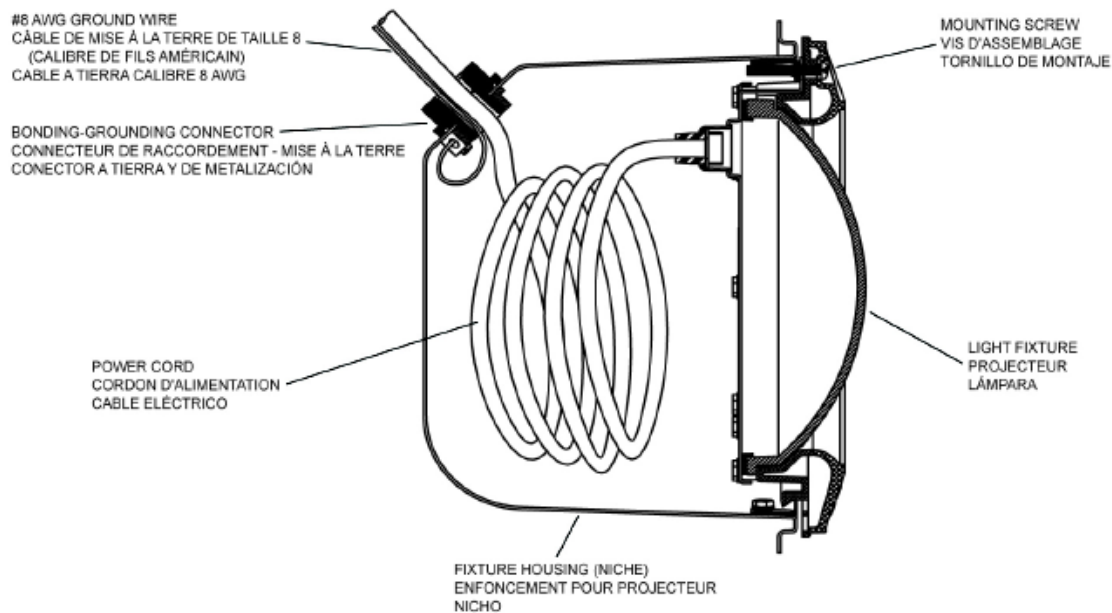


HAYWARD®



SP0524(S) / SP0525(S) / SP0527(S) / W3SP0527(S) Pool Light Inside Hayward SP0600U Niche
 SP0524(S) / SP0525(S) / SP0527(S) / W3SP0527(S) Projecteur Pour Piscine Dans Enfoncement
 Hayward SP0600U
 Lámpara Para Piscina SP0524(S) / SP0525(S) / SP0527(S) / W3SP0527(S) Dentro Del Nicho
 SP0600U De Hayward

SP0532(S) / SP0533(S) / SP0535(S) / W3SP0535(S) Spa Light Inside Hayward SP0601U / SP0608U Niche
 SP0532(S) / SP0533(S) / SP0535(S) / W3SP0535(S) Projecteur Pour Spa Dans Enfoncement Hayward
 SP0601U / SP0608U
 Lámpara Para Jacuzzi SP0532(S) / SP0533(S) / SP0535(S) / W3SP0535(S) Dentro Del Nicho SP0601U /
 SP0608U De Hayward



SP0524(S) / SP0525(S) / SP0527(S) Pool Light Inside Hayward SP0604C / SP0609C Niche
 SP0532(S) / SP0533(S) / SP0535(S) Projecteur Pour Spa Dans Enfoncement Hayward SP0601U / SP0608U
 Lámpara Para Jacuzzi SP0532(S) / SP0533(S) / SP0535(S) Dentro Del Nicho SP0601U / SP0608U De Hayward



When installing low-voltage lights, the length of the cord has an effect on performance. To prevent performance problems with low-voltage lights, verify the transformer is providing the minimum required voltage according to the table below. To check this voltage, measure the voltage at the transformer while the light is "on" and operating in "white" mode. In some cases, a voltage greater than 12 volts is required due to a long cord run. Some transformers provide higher voltage taps for this purpose; check your transformer manufacturer's installation instructions for details.

FOR FURTHER INFORMATION OR CONSUMER
TECHNICAL SUPPORT, VISIT OUR WEBSITE AT
www.hayward.com



Hayward es una marca registrada, y ColorLogic y CrystalLogic son marcas registradas de Hayward Industries, Inc. © 2019 Hayward Industries, Inc.

Todas las demás marcas que no son propiedad de Hayward son propiedad de sus respectivos dueños. Hayward no está de ninguna manera afiliada con dichos terceros ni avalada por ellos.



ColorLogic®

Dispositif d'éclairage DEL

Guide D'installation Et Mode D'emploi Et De Fonctionnement



FILE E39338



SP0524(S) SP0532(S)
SP0525(S) SP0533(S)
W3SP0527(S) W3SP0535(S)
SP0527(S) SP0535(S)
SPX0525(S) SPX0533(S)

Pour obtenir le manuel de l'utilisateur
en Français consultez www.hayward-pool.ca.

Hayward Industries
400 Connell Drive, Suite 6100
Berkeley Heights, NJ 07922
Phone: (908) 355-7995
www.hayward.com



HAYWARD®

IMPORTANT SAFETY INSTRUCTIONS INSTRUCTIONS DE SÉCURITÉ IMPORTANTES INSTRUCCIONES IMPORTANTES DE SEGURIDAD

⚠ WARNING RISK OF ELECTRIC SHOCK

1. Read and follow all instructions. When installing and using this electrical equipment, basic safety precautions should always be followed. Failure to follow instructions may result in injury.
2. Risk of electric shock. Do not open. Light has no user serviceable parts inside.
3. To reduce the risk of injury, do not permit children to use this product unless they are closely supervised at all times.
4. Disconnect electrical power before installing or servicing this equipment.
5. Improper installation may result in death or serious injury to bathers or service personnel or others by way of electric shock.



⚠ CAUTION

6. This swimming pool or spa light is UL listed for permanently installed pools or spas only. It is not listed for storable pools or spas. Permanently installed pools and spas are those constructed in or partially in the ground and all others capable of holding water in a depth greater than 42 in (1.07 m). Storable pools and spas are those constructed on or above the ground and capable of holding water to a maximum of 42 in (1.07 m).
7. This light fixture must be installed by qualified personnel in compliance with the National Electric Code (NEC) and any applicable local codes and/or regulations.

SAVE THESE INSTRUCTIONS

⚠ AVERTISSEMENT RISQUE D'ÉLECTROCUTION

1. Lisez et respectez toutes les instructions. Durant l'installation et l'utilisation du matériel électrique, vous devrez respecter les précautions de base en tout temps, au risque de blessure.
2. Risque d'électrocution. N'ouvrez pas le projecteur. Le projecteur ne comporte aucune pièce réparable ou remplaçable par l'utilisateur.
3. Pour réduire les risques de blessure, ne permettez pas à un enfant de manipuler ce produit, à moins qu'il ne soit étroitement surveillé par un adulte.
4. Coupez l'alimentation électrique avant d'installer ou de réparer ce matériel.
5. Une installation inadéquate peut causer des blessures graves, voire la mort, par électrocution.

⚠ ATTENTION

6. Le présent projecteur pour piscine ou spa figure sur la liste UL pour les piscines et les spas installés de façon permanente seulement. Il ne figure pas sur la liste des piscines ou spas démontables. Les piscines et les spas installés de façon permanente sont ceux construits complètement ou en partie dans le sol, ainsi que ceux pouvant contenir de l'eau à une profondeur de plus de 42 po (1,07 m). Les piscines et les spas démontables sont ceux installés sur ou au-dessus du sol et pouvant contenir de l'eau dans une profondeur maximale de 42 po (1,07 m).
7. Le projecteur doit être installé par une personne qualifiée conformément au NEC et à tout code local en vigueur.

CONSERVEZ CES INSTRUCTIONS

⚠ ADVERTENCIA PELIGRO DE ELECTROCUCIÓN

1. Lea y siga todas las instrucciones. Al instalar y usar este equipo eléctrico se deben observar siempre precauciones básicas de seguridad. Si no se siguen las instrucciones, podrían producirse lesiones.
2. Peligro de electrocución. No abrir. La lámpara carece de piezas en el interior que el usuario pueda reparar.
3. Para reducir el peligro de lesiones, no permita que los niños utilicen este producto a menos que estén bajo atenta supervisión en todo momento.
4. Desconecte la alimentación eléctrica antes de instalar o reparar este equipo.
5. La instalación incorrecta puede producir la muerte o lesiones graves por electrocución a los bañistas, al personal de servicio u otras personas.

⚠ ATENCIÓN

6. Esta lámpara para piscina o jacuzzi está aprobada por UL únicamente para piscinas o jacuzzis instalados permanentemente. No ha sido aprobada para piscinas o jacuzzis almacenables. Las piscinas y jacuzzis instalados permanentemente son aquellos construidos total o parcialmente bajo el nivel del suelo, y todos los que puedan contener agua a una profundidad mayor de 42 pulgadas (1.07 m). Las piscinas y jacuzzis almacenables son aquellos construidos a nivel del suelo o por encima de éste, y que puedan contener agua hasta un nivel máximo de 42 pulgadas (1.07 m).
7. Esta lámpara debe instalarse personal calificado, de conformidad con el Código Nacional de Electricidad (NEC, siglas en inglés) y todo código o reglamento local pertinente.

CONSERVE ESTAS INSTRUCCIONES





Introduction

Le projecteur ColorLogic à diode électroluminescente de Hayward que vous avez acheté est conçu pour être installé dans les enfoncements Hayward manufacturés après 1993. Les projecteurs Hayward peuvent être compatibles avec d'autres enfoncements, mais l'installation ne bénéficiera pas de l'homologation UL.

Les séries SP0524, SP0525 et SP0527 de projecteurs Colorlogic de Hayward pour piscines figurent sur la liste UL sous le numéro E39338 et, pour être approuvés, ils doivent être utilisés avec les modèles d'enfoncements Hayward SP0600, SP0607, SP0604C ou SP0609C. Les séries SP0532, SP0533 et SP0535 de projecteurs ColorLogic de Hayward pour spas figurent sur la liste UL sous le numéro E39338 et, pour être approuvés, ils doivent être utilisés avec les modèles d'enfoncements Hayward SP0601, SP0608, SP0606C ou SP0610C. L'installation du projecteur et de l'enfoncement doit être conforme à l'article 680 du National Electric Code -- NEC (code national en électricité) et de tout autre code local en vigueur. Si vous utilisez un cordon conducteur non métallique, vous devez passer un conducteur de mise à la terre de taille 8 (calibre de fils américain) dans le cordon conducteur et le brancher au connecteur de mise à la terre à l'intérieur de l'enfoncement. Ce branchement doit être recouvert d'une pâte de remplissage conformément à l'article 680-20 du NEC, notamment la pâte de remplissage 3M Scotch Cast pour enfoncement submergé no 2135 (no dossier UL E130394) ou équivalent. Le connecteur externe intégral de l'enfoncement devrait être branché à un connecteur de raccordement de taille 8 (calibre de fils américain), également exigé par le NEC. Veuillez vous référer aux instructions de l'enfoncement pour de plus amples renseignements.

Le projecteur doit être installé dans ou sur un mur de la piscine ou du spa, de façon à ce que le haut de la lentille soit au moins 18 pouces (46 cm) sous la surface normale de l'eau, sauf si le projecteur est installé dans une zone qui n'est pas utilisée pour la baignade et que la lentille est adéquatement protégée afin d'éviter tout contact avec celle-ci.

Remarque importante concernant l'installation des enfoncements dans les piscines en béton/guinite

Enfoncements SP0600, SP0608 et SP0601 : 2 vis et un couvercle en carton sont fournis avec l'enfoncement pour le protéger ainsi que les trous d'installation. Veuillez les laisser en place tout au long de l'installation afin d'éviter que le ciment ne s'infilte et n'endommage l'enfoncement ou le filetage des vis. ENLEVEZ et jetez les 2 vis et le couvercle en carton pour installer le projecteur.

Enfoncements SP0604C, SP0606C, SP0609C et SP0610C : un couvercle de plastique est fourni avec l'enfoncement afin de le protéger ainsi que les trous d'installation. Veuillez laisser le couvercle en place tout au long de l'installation afin d'éviter que le ciment ne s'infilte et n'endommage l'enfoncement ou le filetage des vis. Avant d'appliquer le plâtre, vous pouvez déchirer le rebord externe du couvercle afin de pouvoir plâtrer le contour de l'enfoncement. ENLEVEZ et jetez le couvercle de plastique pour installer le projecteur. Si le projecteur est installé dans l'enfoncement avant la construction de la piscine ou du spa, le couvercle de plastique peut être inversé et fixé avec du ruban adhésif au rebord du projecteur afin de le protéger du béton durant la construction.

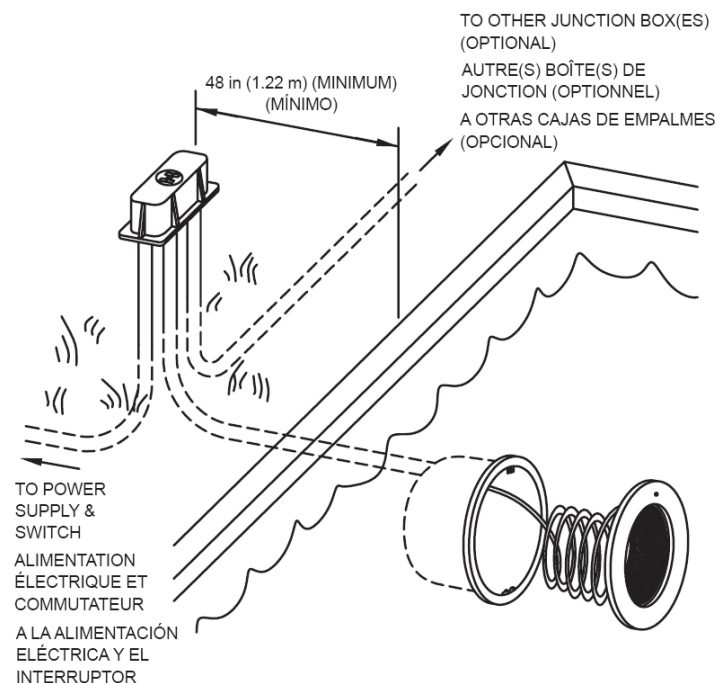
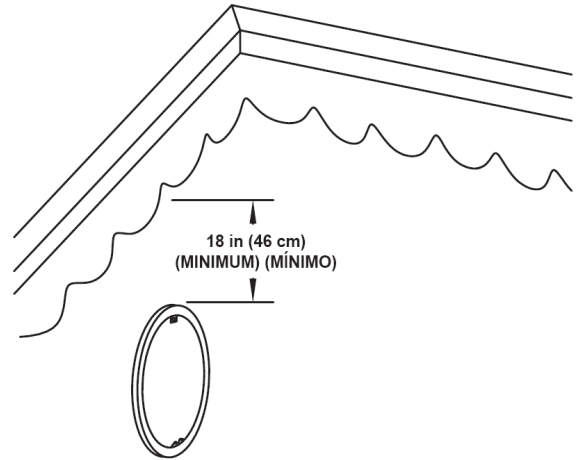
REMETTEZ LES PRÉSENTES INSTRUCTIONS AU PROPRIÉTAIRE DE LA PISCINE OU DU SPA APRÈS L'INSTALLATION

	Model # Modèle No Modelo No.	Voltage Tension Voltaje (VAC)	Wattage Puissance Vataje (W)	Wire Size Taille de câble Tamaño del cable (AWG)	For Use With Niches À utiliser avec des enfoncements Para uso con nichos	For Country Pays Para el país
POOL PISCINE PISCINA	SP0524(S)LED	12	50	12	SP0600U, SP0607U, SP0604C, SP0609C	United States
	SP0525(S)LED	120	50	16	SP0600U, SP0607U, SP0604C, SP0609C	United States
	SP0527(S)LED	120	95			
W3SP0527(S)LED	120	95				
SPA JACUZZI	SP0532(S)LED	12	25	16	SP0601U, SP0606C, SP0610C, SP0608U	United States
	SP0533(S)LED	120	25	16	SP0601U, SP0606C, SP0610C, SP0608U	United States
	SP0535(S)LED	120	40			
	W3SP0535(S)LED	120	40			
POOL PISCINE PISCINA	SP0524CLED	12	50	14	SP0600U, SP0607U, SP0604C, SP0609C	Canada
	SP0525CLED	120	50	14	SP0604C, SP0609C	Canada
	SP0527CLED	120	95			
SPA JACUZZI	SP0532CLED	12	25	14	SP0601U, SP0606C, SP0610C, SP0608U	Canada
	SP0533CLED	120	25	14	SP0606C, SP0610C, SP0608U	Canada
	SP0535CLED	120	40			

Installation

Installation Du Projecteur

Le projecteur doit être installé dans ou sur le mur de la piscine ou du spa de façon à ce que le haut de la lentille soit au moins 18 po (46 cm) sous le niveau d'eau, sauf si le projecteur est installé dans une zone qui n'est pas utilisée pour la baignade et que la lentille est adéquatement protégée, afin d'éviter tout contact avec celle-ci. Choisissez un emplacement pour le ou les projecteurs qui saura mettre en valeur la piscine ou le spa.



Installation De La Boîte De Jonction Et Cordon Conducteur

Choisissez un emplacement pour la boîte de jonction (Hayward SP680, SP681 ou un équivalent figurant sur la liste UL) au moins 48 pouces (1,22 m) du rebord de la piscine ou du spa. Installez le cordon conducteur depuis l'enfoncement jusqu'à la boîte de jonction de façon à ce que cette dernière se trouve au moins 8 pouces (20 cm) au-dessus du niveau maximal d'eau de la piscine ou du spa, ou au moins 4 pouces (10 cm) au-dessus du sol. Tout cordon conducteur supplémentaire devra être installé depuis la boîte de jonction jusqu'à l'alimentation électrique, le panneau de contrôle, le contrôleur de la piscine/spa, etc.

Insérez le câble à 3 conducteurs et un câble de mise à la terre en cuivre de taille 8 (si un cordon conducteur non métallique est utilisé) dans l'entrée du cordon conducteur de l'enfoncement, dans le cordon conducteur, puis jusqu'à la boîte de jonction. NE COUPEZ PAS L'EXCÈS DE CÂBLE. Laissez une bonne longueur de câble enroulée dans l'enfoncement afin de pouvoir sortir le projecteur de la piscine en cas de réparation. Coupez la longueur de câble en trop à la boîte de jonction.

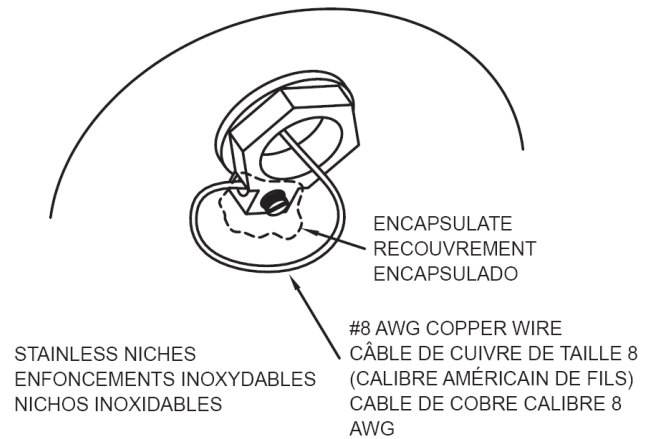
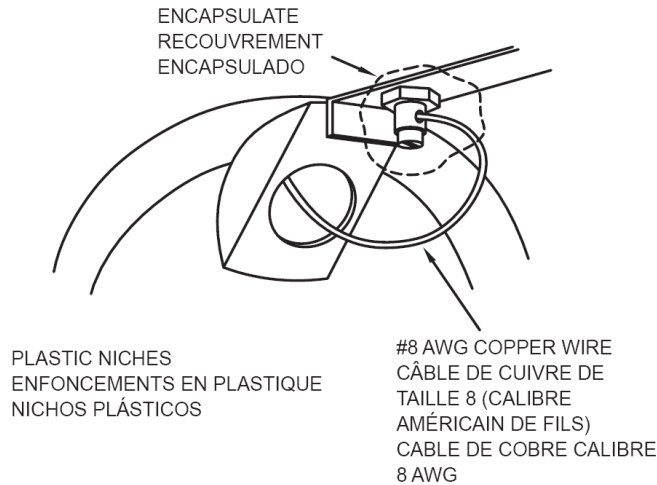


HAYWARD®

Branchez Le Câble De Mise À La Terre À L'enfoncement (Si Nécessaire)

Si vous utilisez un cordon conducteur non métallique, branchez le câble de mise à la terre de taille 8 au connecteur de mise à la terre situé dans l'enfoncement. Ce raccordement doit être recouvert d'une pâte* de remplissage approuvée d'une épaisseur d'au moins 1/8 pouce (4 mm) conformément à l'article 680 du NEC.

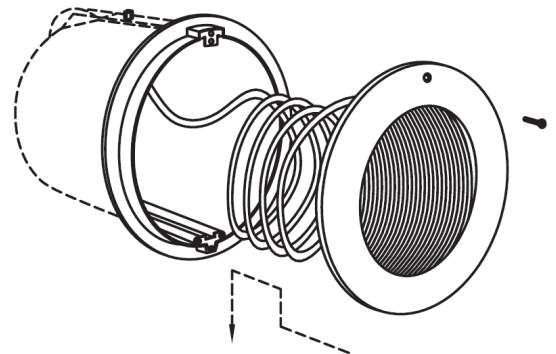
* Pâte de remplissage pour enfoncement submergé 3M Inc. Scotch Cast no 2135 (no dossier UL E130394) ou équivalent.



Installation Du Projecteur

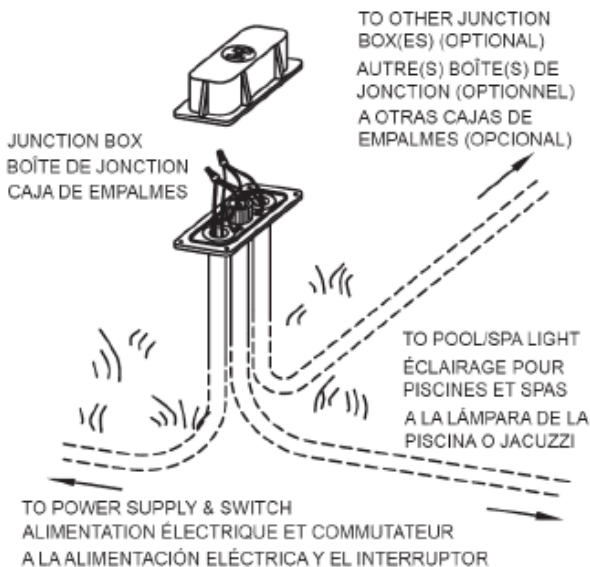
Enroulez la longueur de câble en trop et mettez-la dans l'enfoncement derrière le projecteur. Pour installer le projecteur, insérez-le dans l'enfoncement à l'aide de la vis dans la partie supérieure (position 12 heures). Insérez d'abord le crochet inférieur (position 6 heures), inclinez la partie supérieure du projecteur et fixez-le avec une vis. Assurez-vous que le crochet inférieur s'accroche à l'enfoncement. Pour enlever le projecteur de l'enfoncement, dévissez la vis, inclinez la partie supérieure du projecteur vers vous, soulevez-le et sortez-le.

REMARQUE: Vous devez utiliser la pièce d'espacement en cuivre (fournie) lorsque vous installez l'ampoule dans le projecteur Hayward SP0607U. La vis de montage doit passer dans la pièce d'espacement avant de se visser dans le trou de montage du projecteur.



Installation Des Câbles

Installez le cordon conducteur depuis la boîte de jonction jusqu'à l'alimentation électrique, le contrôleur de la piscine/spa, ou de la boîte de commutation. Insérez 3 câbles (faites correspondre l'épaisseur de fil du câble d'éclairage, ou plus gros) dans le cordon conducteur depuis la boîte de jonction jusqu'à l'alimentation électrique, le contrôleur de la piscine/spa, ou la boîte de commutation. Si vous installez plus d'un projecteur, faites passer des câbles/cordons conducteurs supplémentaires depuis la boîte de jonction jusqu'à la boîte de jonction supplémentaire. Si vous branchez plus d'un projecteur à un même circuit, veillez à utiliser la bonne taille de fil selon la puissance totale de tous les projecteurs reliés au circuit. Utilisez des serre-fils pour brancher les câbles immergés au câble du projecteur dans la boîte de jonction. Branchez les câbles de mise à la terre aux connexions de mise à la terre à l'intérieur de la boîte de jonction. BRANCHEMENT DU PROJECTEUR AU PANNEAU DE CONTRÔLE - 120 V

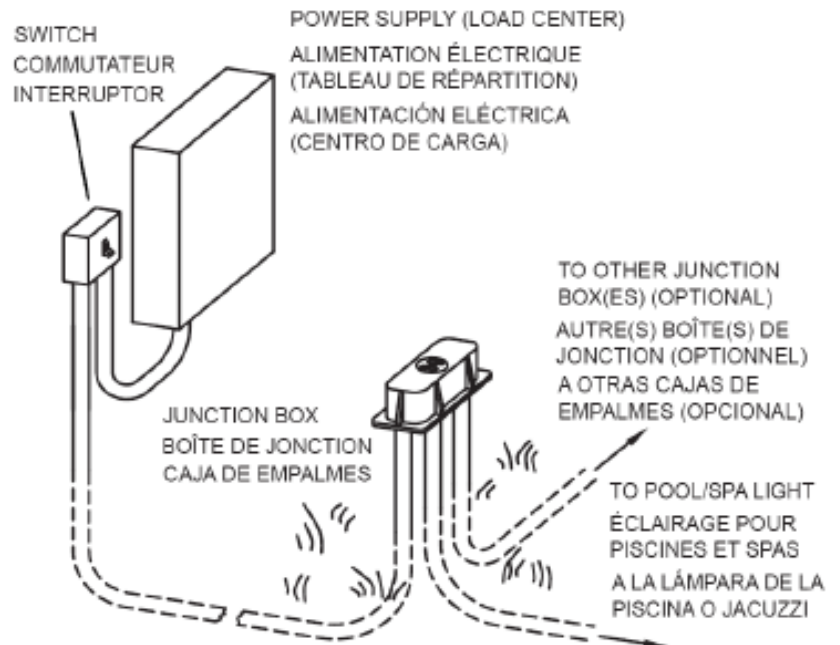


Branchement Du Projecteur Au Panneau De Contrôle - 120 V

Conformément à l'article 680-22 du NEC, tous les projecteurs submergés de 120 V doivent comporter un disjoncteur de fuite à la terre. Si plusieurs projecteurs ColorLogic de Hayward sont installés, ils peuvent être synchronisés. Pour les synchroniser, reliez tous les projecteurs au même commutateur ou relais. Les projecteurs ColorLogic de Hayward sont contrôlés par une alimentation cyclique. Aucun contrôleur spécial n'est requis pour activer le projecteur et le régler en différents modes. Vous pouvez utiliser un simple commutateur pour allumer/éteindre un projecteur (Ne pas utiliser avec un cariateur de lumière).

Si vous utilisez un système de contrôle pour piscine ou spa Hayward PSC2100, branchez le projecteur au circuit " LIGHT " principal, ou au circuit " AUX 4 ". Le contrôleur Hayward PSC2100 possède un disjoncteur de fuite à la terre intégral pour des circuits de ce type, donc nul besoin d'un disjoncteur supplémentaire. Veuillez prendre note que si le circuit " LIGHT " du contrôleur PSC est utilisé, le contrôleur doit être configuré pour un éclairage à intensité non variable (commutateur DIP 1 vers le bas). Les projecteurs ColorLogic de Hayward sont compatibles avec une gamme de contrôleurs de piscine et de spa qui contrôlent des dispositifs par une simple activation/désactivation. Veuillez vous référer à votre manuel d'instructions pour de plus amples informations.

Pour obtenir des solutions de dépannage, veuillez vous reporter aux instructions du présent manuel.



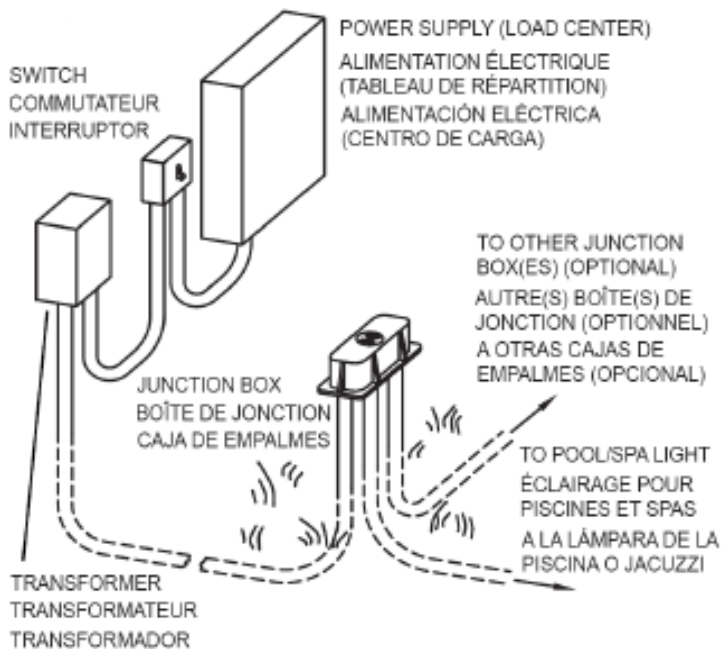
Branchement Du Projecteur Au Panneau De Contrôle - 12 V

Vous devez installer un transformateur adapté à un environnement de faible tension, et aux piscines et spas (modèle Intermatic PX100, PX300, ou équivalent). La puissance du transformateur doit être égale ou supérieure à la tension totale utilisée par tous les projecteurs reliés. Suivez les instructions du fabricant pour brancher correctement le transformateur. Si plusieurs projecteurs ColorLogic de Hayward sont installés, ils peuvent être synchronisés. Pour synchroniser les projecteurs, branchez-les tous au même commutateur.

Les projecteurs sont contrôlés par une alimentation cyclique. Aucun contrôleur spécial n'est requis pour activer le projecteur et le régler en différents modes. Vous pouvez utiliser un simple commutateur pour allumer/éteindre un projecteur (Ne pas utiliser avec un cariateur de lumière).

Si vous utilisez un système de contrôle pour piscines ou spas Hayward PSC2100, branchez le projecteur au circuit " LIGHT " principal, ou au circuit AUX 4 ". Veuillez prendre note que si le circuit " LIGHT " du contrôleur PSC est utilisé, le contrôleur doit être configuré pour un éclairage à intensité non variable (commutateur DIP 1 vers le bas). Les projecteurs Hayward sont compatibles avec une gamme de contrôleurs de piscine et de spa qui contrôlent des dispositifs par une simple activation/désactivation. Veuillez vous référer à votre manuel d'installation pour de plus amples informations.

Pour obtenir des solutions de dépannage, veuillez vous reporter aux instructions du présent manuel. Si la longueur de câble totale entre le transformateur et le projecteur excède 18 mètres (60 pieds), nous vous recommandons d'utiliser un transformateur à haute tension. Voir le tableau au verso du présent manuel.





Instructions De Fonctionnement

Pour Commencer

Nous vous remercions d'avoir acheté un projecteur ColorLogic de Hayward. Hayward vous souhaite la bienvenue dans un monde rempli de couleurs, et vous présente la technologie Chromacore (R) qui génère des jeux et des effets de lumière grâce à un microprocesseur qui contrôle les diodes électroluminescentes rouge, verte et bleue. Votre projecteur submergé ColorLogic pour piscines et spas de Hayward présente trois caractéristiques :

1. Diodes électroluminescentes pouvant durer jusqu'à 10 fois plus longtemps que les diodes incandescentes, halogènes ou aux halogénures pour piscines et spas.
2. Capacité d'une projection multicolore sans roulette ou composant mobiles.
3. Programme permettant de sélectionner l'un des 12 programmes différents, 5 couleurs fixes et 7 jeux de lumière.
4. Faible consommation d'électricité. Utilise environ la moitié de l'électricité requise pour faire fonctionner une ampoule ordinaire de 100 W.

Fonctionnement Du Projecteur

Votre projecteur ColorLogic de Hayward fonctionne par alimentation cyclique : une méthode de changement de modes qui ne requiert pas d'interface ni de contrôleur spécial. Pour activer le projecteur, allumez simplement le commutateur. Pour le désactiver, fermez le commutateur. Pour accéder au programme suivant, fermez le commutateur et rallumez-le en moins de 10 secondes. Si le projecteur est demeuré éteint pendant plus de 60 secondes et qu'il est rallumé, il émettra une lumière blanche pendant 15 secondes pour éclairer la piscine, puis se réglera sur la dernière couleur fixe ou le dernier jeu de lumière qu'il affichait avant d'être éteint.

Synchronisation Des Projecteurs

Si votre piscine ou votre spa dispose de plusieurs lampes LED Hayward ColorLogic, elles peuvent fonctionner indépendamment. Elles peuvent également être synchronisées de façon à briller de la même couleur et à s'allumer en même temps. Pour la synchronisation de l'éclairage, toutes les lampes doivent être connectées au même commutateur. Une fois installées, toutes les lampes se synchronisent automatiquement. Si elles se désynchronisent, il est possible de les resynchroniser. Pour cela, allumez le commutateur puis éteignez-le. Attendez ensuite entre 11 et 14 secondes avant de le rallumer. Une fois rallumé, le système d'éclairage commencera le programme n°1 et sera synchronisé.

Programmes

Votre projecteur ColorLogic de Hayward peut afficher 12 programmes différents. Ces programmes avancés utilisent une alimentation cyclique. Les programmes sont les suivants :

- | | |
|---|---|
| 1. Jeu - Voodoo Lounge - Alternance rapide des couleurs | 7. Jeu - Twilight - Alternance lente des couleurs |
| 2. Fixe - Deep Blue Sea | 8. Jeu - Tranquility - Fondu bleu/cyan/blanc |
| 3. Fixe - Afternoon Skies | 9. Jeu - Gemstone - Fondu bleu/vert/magenta |
| 4. Fixe - Emerald | 10. Jeu - USA! - Rouge, blanc, bleu |
| 5. Fixe - Sangria | 11. Jeu - Mardi Gras - Fondu aléatoire rapide |
| 6. Fixe - Cloud White | 12. Jeu - Cool Cabaret - Fondu aléatoire rapide |

Dépannage

DÉPANNAGE

Si vous éprouvez des difficultés avec votre projecteur ColorLogic de Hayward, veuillez lire les conseils suivants avant d'appeler le service de dépannage:

PROBLÈME: le projecteur ne passe pas au jeu suivant lorsqu'il est activé par alimentation cyclique (éteint puis rallumé).

SOLUTION: évitez d'allumer et d'éteindre rapidement le commutateur, laissez-le éteint pendant au moins 1 seconde avant de le rallumer.

PROBLÈME: le projecteur passe au blanc lorsqu'il est allumé et éteint rapidement.

SOLUTION: assurez-vous d'allumer et d'éteindre le projecteur en moins de 10 secondes.

PROBLÈME: plusieurs projecteurs sont désynchronisés.

SOLUTION: suivez les étapes dans ce manuel pour resynchroniser les projecteurs.

PROBLÈME: le projecteur ne s'allume pas.

SOLUTION: vérifiez le défaut de mise à la terre et procédez à une réinitialisation si nécessaire.

PROBLÈME: le projecteur ne s'allume pas ou il s'éteint et se rallume constamment.

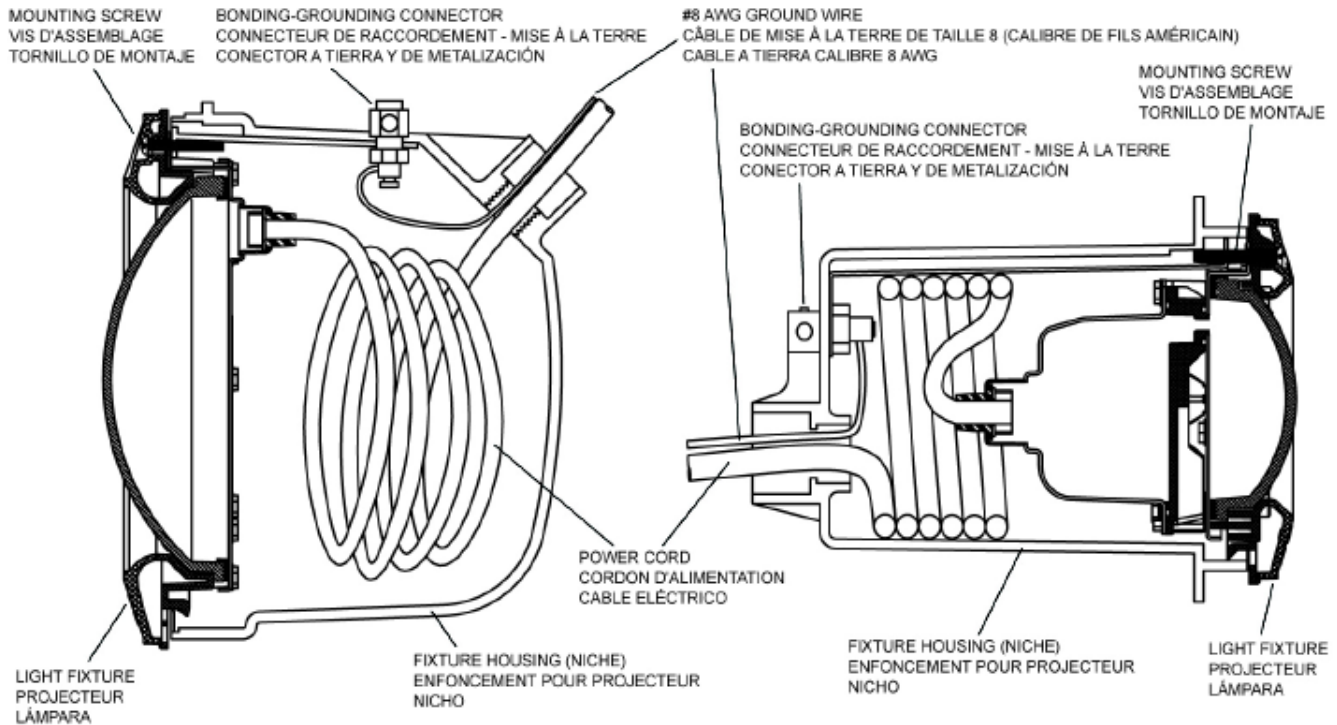
SOLUTION: le commutateur thermal automatique peut être pris en boucle à cause de températures excessives. Vérifiez la température de l'eau de la piscine ou du spa.

PROBLÈME: La lumière ne fonctionne pas correctement ou ne fonctionne pas du tout.

SOLUTION: Vérifiez que le contrôleur de votre piscine/spa ne tamise pas la lumière.

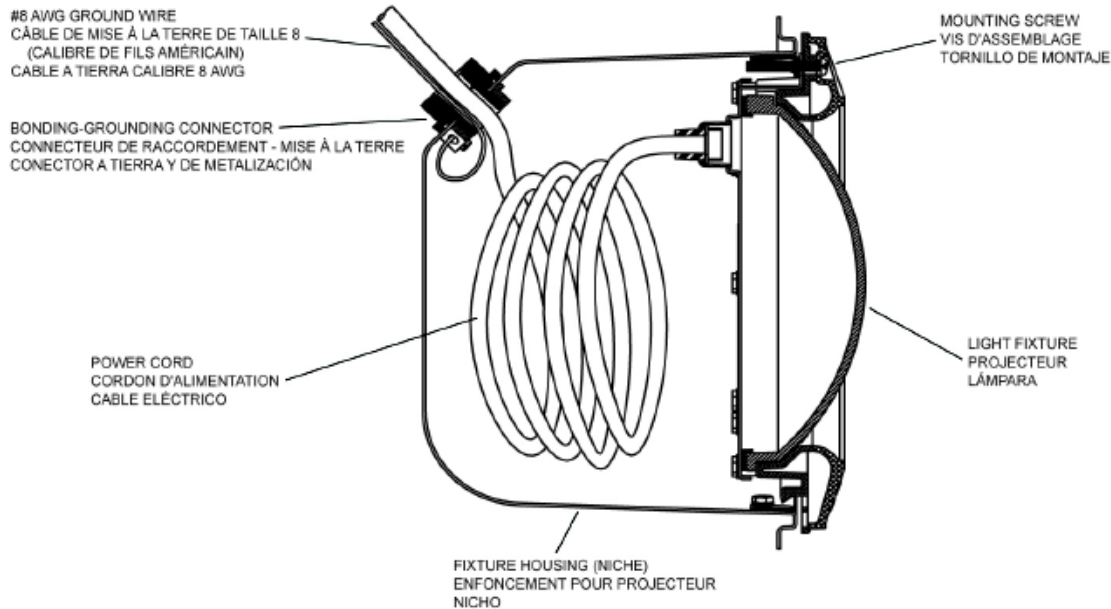


HAYWARD®



SP0524(S) / SP0525(S) / SP0527(S) / W3SP0527(S) Pool Light Inside Hayward SP0600U Niche
 SP0524(S) / SP0525(S) / SP0527(S) / W3SP0527(S) Projecteur Pour Piscine Dans Enfoncement
 Hayward SP0600U
 Lámpara Para Piscina SP0524(S) / SP0525(S) / SP0527(S) / W3SP0527(S) Dentro Del Nicho
 SP0600U De Hayward

SP0532(S) / SP0533(S) / SP0535(S) / W3SP0535(S) Spa Light Inside Hayward SP0601U / SP0608U Niche
 SP0532(S) / SP0533(S) / SP0535(S) / W3SP0535(S) Projecteur Pour Spa Dans Enfoncement Hayward
 SP0601U / SP0608U
 Lámpara Para Jacuzzi SP0532(S) / SP0533(S) / SP0535(S) / W3SP0535(S) Dentro Del Nicho SP0601U /
 SP0608U De Hayward



SP0524(S) / SP0525(S) / SP0527(S) Pool Light Inside Hayward SP0604C / SP0609C Niche
 SP0532(S) / SP0533(S) / SP0535(S) Projecteur Pour Spa Dans Enfoncement Hayward SP0601U / SP0608U
 Lámpara Para Jacuzzi SP0532(S) / SP0533(S) / SP0535(S) Dentro Del Nicho SP0601U / SP0608U De Hayward



La longueur du câble a une incidence sur le fonctionnement des ampoules de faible intensité. Pour garantir un fonctionnement optimal des ampoules de faible intensité, assurez-vous que le transformateur fournit la tension minimale nécessaire conformément au tableau ci-dessous. Pour vérifier la tension, mesurez la tension fournie par le transformateur lorsque le projecteur est allumé (ON) et fonctionne en mode Blanc (White). Dans certains cas, une tension supérieure à 12 volts est nécessaire du fait de la longueur du câble. Conséquemment, certains transformateurs disposent de prises de sortie à tension plus élevée. Pour plus de renseignements, consultez les instructions d'installation du fabricant du transformateur.

POUR DES RENSEIGNEMENTS COMPLÉMENTAIRES OU UN
SOUTIEN TECHNIQUE, VISITEZ NOTRE SITE WEB À
www.hayward-pool.ca



Hayward est une marque de commerce déposée, et ColorLogic et CrystalLogic sont des marques de commerce de Hayward Industries, Inc. ©Hayward Industries, Inc., 2019

All other trademarks not owned by Hayward are the property of their respective owners.
Hayward is not in any way affiliated with or endorsed by those third parties.



ColorLogic®

Lámparas LED

Manual de instalación y operación

	<p>Contenido</p> <p>Instrucciones de seguridad.....1</p> <p>Introducción.....2</p> <p>Instalación.....3</p> <p>Operación.....6</p> <p>Identificación y resolución de problemas.....6</p> <p>Garantía.....7</p>
--	---

FILE E39338



SP0524(S) SP0532(S)
SP0525(S) SP0533(S)
W3SP0527(S) W3SP0535(S)
SP0527(S) SP0535(S)
SPX0525(S) SPX0533(S)

Productos para piscinas Hayward
400 Connell Drive, Suite 6100
Berkeley Heights, NJ 07922
Teléfono: (908)-3557995
www.hayward.com



HAYWARD®

IMPORTANT SAFETY INSTRUCTIONS INSTRUCTIONS DE SÉCURITÉ IMPORTANTES INSTRUCCIONES IMPORTANTES DE SEGURIDAD

⚠ WARNING RISK OF ELECTRIC SHOCK

1. Read and follow all instructions. When installing and using this electrical equipment, basic safety precautions should always be followed. Failure to follow instructions may result in injury.
2. Risk of electric shock. Do not open. Light has no user serviceable parts inside.
3. To reduce the risk of injury, do not permit children to use this product unless they are closely supervised at all times.
4. Disconnect electrical power before installing or servicing this equipment.
5. Improper installation may result in death or serious injury to bathers or service personnel or others by way of electric shock.



⚠ CAUTION

6. This swimming pool or spa light is UL listed for permanently installed pools or spas only. It is not listed for storable pools or spas. Permanently installed pools and spas are those constructed in or partially in the ground and all others capable of holding water in a depth greater than 42 in (1.07 m). Storable pools and spas are those constructed on or above the ground and capable of holding water to a maximum of 42 in (1.07 m).
7. This light fixture must be installed by qualified personnel in compliance with the National Electric Code (NEC) and any applicable local codes and/or regulations.

SAVE THESE INSTRUCTIONS

⚠ AVERTISSEMENT RISQUE D'ÉLECTROCUTION

1. Lisez et respectez toutes les instructions. Durant l'installation et l'utilisation du matériel électrique, vous devrez respecter les précautions de base en tout temps, au risque de blessure.
2. Risque d'électrocution. N'ouvrez pas le projecteur. Le projecteur ne comporte aucune pièce réparable ou remplaçable par l'utilisateur.
3. Pour réduire les risques de blessure, ne permettez pas à un enfant de manipuler ce produit, à moins qu'il ne soit étroitement surveillé par un adulte.
4. Coupez l'alimentation électrique avant d'installer ou de réparer ce matériel.
5. Une installation inadéquate peut causer des blessures graves, voire la mort, par électrocution.

⚠ ATTENTION

6. Le présent projecteur pour piscine ou spa figure sur la liste UL pour les piscines et les spas installés de façon permanente seulement. Il ne figure pas sur la liste des piscines ou spas démontables. Les piscines et les spas installés de façon permanente sont ceux construits complètement ou en partie dans le sol, ainsi que ceux pouvant contenir de l'eau à une profondeur de plus de 42 po (1,07 m). Les piscines et les spas démontables sont ceux installés sur ou au-dessus du sol et pouvant contenir de l'eau dans une profondeur maximale de 42 po (1,07 m).
7. Le projecteur doit être installé par une personne qualifiée conformément au NEC et à tout code local en vigueur.

CONSERVEZ CES INSTRUCTIONS

⚠ ADVERTENCIA PELIGRO DE ELECTROCUCIÓN

1. Lea y siga todas las instrucciones. Al instalar y usar este equipo eléctrico se deben observar siempre precauciones básicas de seguridad. Si no se siguen las instrucciones, podrían producirse lesiones.
2. Peligro de electrocución. No abrir. La lámpara carece de piezas en el interior que el usuario pueda reparar.
3. Para reducir el peligro de lesiones, no permita que los niños utilicen este producto a menos que estén bajo atenta supervisión en todo momento.
4. Desconecte la alimentación eléctrica antes de instalar o reparar este equipo.
5. La instalación incorrecta puede producir la muerte o lesiones graves por electrocución a los bañistas, al personal de servicio u otras personas.

⚠ ATENCIÓN

6. Esta lámpara para piscina o jacuzzi está aprobada por UL únicamente para piscinas o jacuzzis instalados permanentemente. No ha sido aprobada para piscinas o jacuzzis almacenables. Las piscinas y jacuzzis instalados permanentemente son aquellos construidos total o parcialmente bajo el nivel del suelo, y todos los que puedan contener agua a una profundidad mayor de 42 pulgadas (1.07 m). Las piscinas y jacuzzis almacenables son aquellos construidos a nivel del suelo o por encima de éste, y que puedan contener agua hasta un nivel máximo de 42 pulgadas (1.07 m).
7. Esta lámpara debe instalarla personal calificado, de conformidad con el Código Nacional de Electricidad (NEC, siglas en inglés) y todo código o reglamento local pertinente.

CONSERVE ESTAS INSTRUCCIONES





Introducción

La lámpara subacuática de LED (diodo emisor de luz) ColorLogic de Hayward que ha adquirido está diseñada para instalarse en huecos (nichos) para lámparas Hayward fabricados a partir de 1993. Es posible que las lámparas Hayward se adapten a otros nichos, pero la instalación carecerá de la aprobación UL.

Las lámparas ColorLogic de LED Hayward de las series SP0524, SP0525 y SP0527 para piscinas están aprobadas por UL bajo el registro número E39338 y, para contar con la aprobación, deben utilizarse en los nichos para lámparas modelos SP0600, SP0607, SP0604C o SP0609C de Hayward. Las lámparas para jacuzzi de LED ColorLogic de Hayward, de las series SP0532, SP0533 y SP0535, están aprobadas por UL bajo el registro número E39338 y, para contar con la aprobación, deben utilizarse con nichos para lámparas modelos SP0601, SP0608, SP0606C o SP0610C de Hayward. La instalación de la lámpara y el nicho debe efectuarse de conformidad con el Artículo 680 del Código Nacional de Electricidad (NEC, siglas en inglés) y todo código local pertinente. Si se utilizan conductos no metálicos, se debe tender un cable a tierra calibre 8 AWG a través del conducto y fijarlo al conector a tierra del interior del nicho. De conformidad con el Artículo 680-20 de NEC, esta conexión debe encapsularse con un compuesto aprobado, por ejemplo el Scotch Cast Wet Niche Potting Compound No. 2135 de 3M (registro E130394 de UL), o uno equivalente. La NEC exige, además, que la totalidad de la conexión externa del nicho se haga a un cable calibre 8 AWG para metalización. Consulte las instrucciones del nicho para obtener información detallada.

La lámpara debe empotrarse en la pared de una piscina o jacuzzi, o colocarse sobre la ella, y la parte superior del lente no debe estar a menos de 18 pulgadas (46 cm) por debajo del nivel normal del agua, excepto si la lámpara se instala en una zona de la piscina o jacuzzi que no se utiliza para nadar y el lente se protege de forma adecuada para evitar que alguna persona lo toque.

Nota importante sobre la instalación de nichos en piscinas de concreto o gunita

Nichos SP0600, SP0608 y SP0601: con el nicho se suministran 2 tornillos y una cubierta de cartón para proteger el nicho y los orificios de los tornillos de montaje. Durante la construcción, déjelos en su sitio para evitar que el concreto penetre y dañe el nicho o las roscas para los tornillos. RETIRE y deseche tanto los tornillos como la cubierta protectora de cartón cuando esté listo para instalar la lámpara.

Para los nichos SP0604C, SP0606C, SP0609C y SP0610C: El nicho se suministra con una cubierta plástica protectora y orificios para los tornillos de montaje. Durante la construcción, mantenga la cubierta en su sitio para evitar que el concreto penetre y dañe el nicho o las roscas para los tornillos. Antes de aplicar el yeso, se puede desprender el borde exterior de la cubierta para esparcir el yeso hasta el borde del nicho. RETIRE y deseche la cubierta plástica cuando esté listo para instalar la lámpara. Si la lámpara se instala en el nicho antes de construir la piscina o el jacuzzi, puede usar la cubierta plástica por el reverso y pegarla con cinta en el borde del lado anterior de la lámpara para protegerla del concreto durante la construcción.

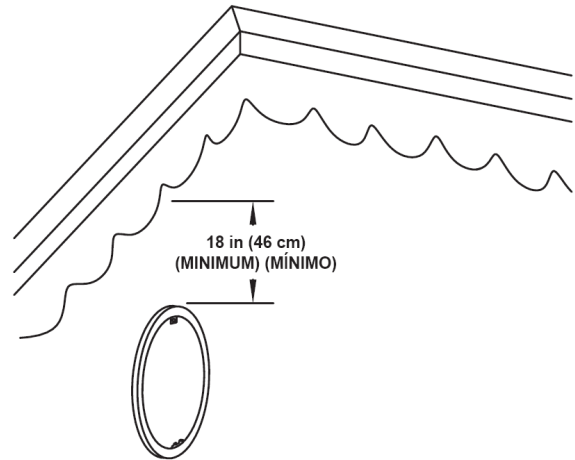
ENTREGAR ESTAS INSTRUCCIONES AL PROPIETARIO DE LA PISCINA/SPA DESPUÉS DE LA INSTALACIÓN

	Model # Modèle No Modelo No.	Voltage Tension Voltaje (VAC)	Wattage Puissance Vataje (W)	Wire Size Taille de câble Tamaño del cable (AWG)	For Use With Niches À utiliser avec des enfoncements Para uso con nichos	For Country Pays Para el país
POOL PISCINE PISCINA	SP0524(S)LED	12	50	12	SP0600U, SP0607U, SP0604C, SP0609C	United States
	SP0525(S)LED	120	50	16	SP0600U, SP0607U, SP0604C, SP0609C	United States
	SP0527(S)LED	120	95			
W3SP0527(S)LED	120	95				
SPA JACUZZI	SP0532(S)LED	12	25	16	SP0601U, SP0606C, SP0610C, SP0608U	United States
	SP0533(S)LED	120	25	16	SP0601U, SP0606C, SP0610C, SP0608U	United States
	SP0535(S)LED	120	40			
W3SP0535(S)LED	120	40				
POOL PISCINE PISCINA	SP0524CLED	12	50	14	SP0600U, SP0607U, SP0604C, SP0609C	Canada
	SP0525CLED	120	50	14	SP0604C, SP0609C	Canada
	SP0527CLED	120	95			
SPA JACUZZI	SP0532CLED	12	25	14	SP0601U, SP0606C, SP0610C, SP0608U	Canada
	SP0533CLED	120	25	14	SP0606C, SP0610C, SP0608U	Canada
SP0535CLED	120	40				

Instalación

Instalación Del Nicho

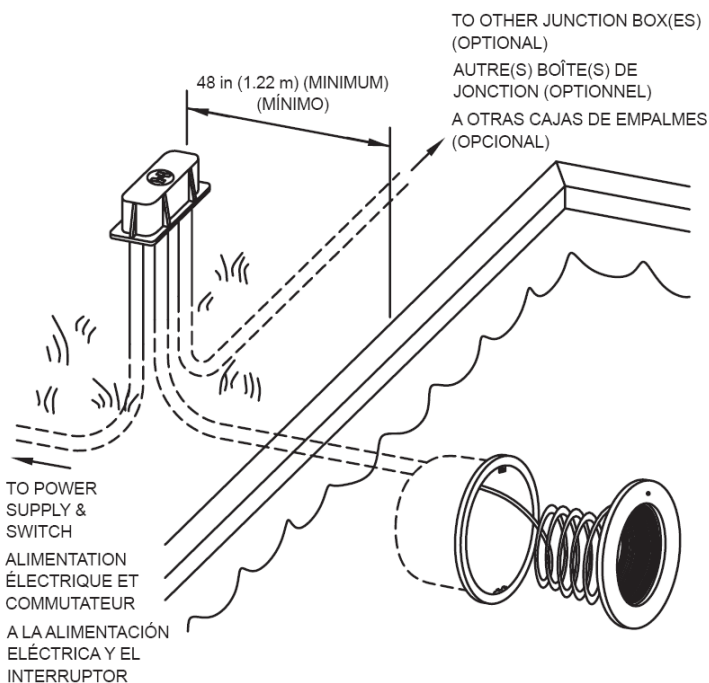
La lámpara debe empotrarse en la pared de una piscina o jacuzzi o sobre la pared de los mismos, y la parte superior de la abertura del lente no debe estar a menos de 18 pulgadas (46 cm) por debajo del nivel normal del agua, excepto si la lámpara se instala en una zona de la piscina o jacuzzi que no se utiliza para nadar, y el lente se protege de forma adecuada para evitar que alguna persona lo toque. Elija un sitio para las lámparas que permita una dispersión óptima de la luz, según el diseño de la piscina o el jacuzzi.



Instalar La Caja De Empalme Y El Conducto

Elija un lugar apropiado para la caja de empalmes (SP680, SP681 de Hayward o un equivalente aprobado por UL) a no menos de 48 pulgadas (1.22 m) del borde de la piscina o jacuzzi. Extienda el conducto desde el nicho hasta la caja de empalmes de manera que la caja quede a no menos de 8 pulgadas (20 cm) por encima del nivel máximo de agua de la piscina o el jacuzzi, o a no menos de 4 pulgadas (10 cm) por encima del suelo. Elija la mayor de las dos distancias. Se debe extender un conducto adicional desde la caja de empalmes hasta la alimentación eléctrica, el tablero de interruptores, el controlador de la piscina o jacuzzi, etc.

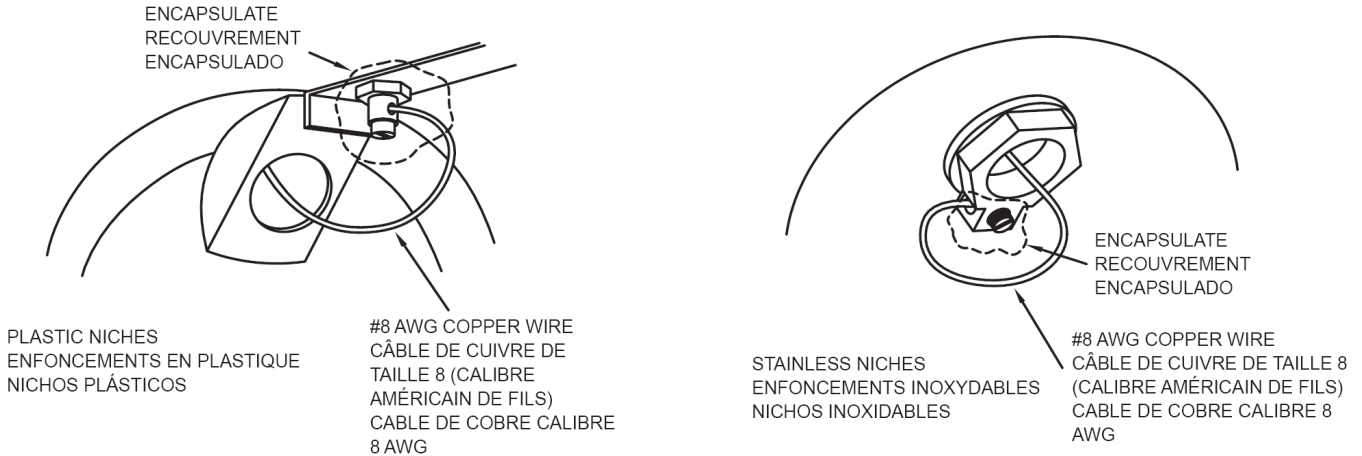
Extienda el cable de 3 conductores, y un cable de cobre para conexión a tierra calibre 8 AWG (si se utiliza un conducto no metálico) a través de la abertura del conducto del nicho, por el interior del conducto y hacia la caja de empalmes. **NO CORTE EL CABLE SOB-RANTE.** Deje una cantidad adecuada de cable doblado dentro del nicho para que se pueda elevar la lámpara hasta el borde de la piscina si necesita repararla. Corte el cable sobrante en la caja de empalmes.



Conecte El Cable De Conexión A Tierra Con El Nicho (Si Es Necesario)

Si utiliza un conducto no metálico, coloque el cable de cobre de conexión tierra calibre 8 AWG, al conector a tierra en el interior del nicho de la lámpara. Esta terminación debe encapsularse con un compuesto para encapsular* aprobado, con un grosor de 1/8 pulgada (4 mm) como mínimo, en conformidad con el Artículo 680 de NEC.

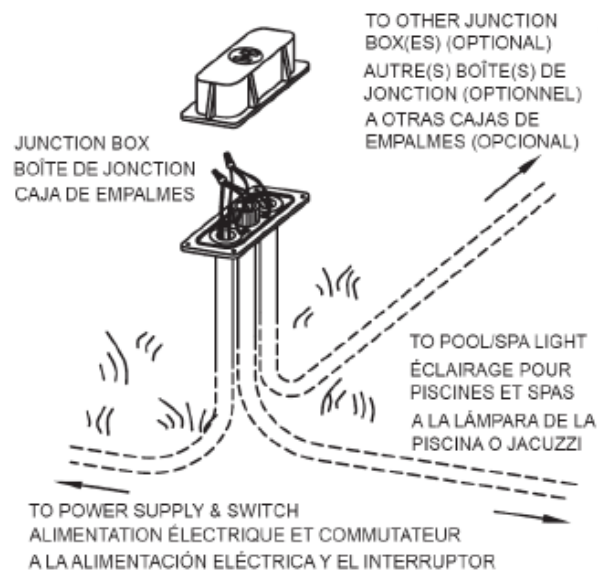
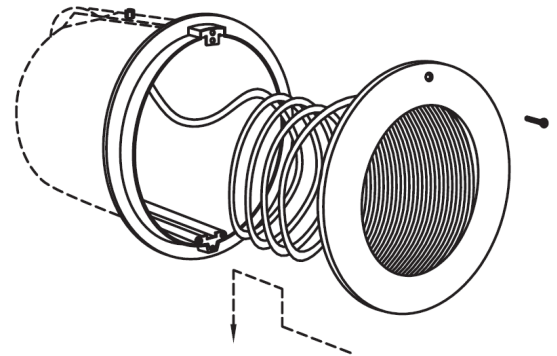
* Scotch Cast Wet Niche Potting Compound No. 2135 de 3M (registro E130394 de UL) o equivalente.



Instalación De La Lámpara

Doble el cable sobrante e insértelo en el nicho detrás de la lámpara. Para instalar la lámpara, insértela en el nicho con el tornillo de montaje de la parte superior (la posición de las 12 en el reloj). Coloque primero el gancho de la parte inferior (la posición de las 6 en el reloj), y a continuación incline la parte superior de la lámpara y fíjela con el tornillo de montaje. Cerciórese de que el gancho de la parte inferior encaje en el nicho. Al retirar la lámpara del nicho, desatornille el tornillo de montaje, incline la parte superior de la lámpara hacia afuera, y levántela hacia arriba y hacia afuera.

NOTA: Para instalar la lámpara en el nicho del modelo Hayward SP0607U, utilice la arandela metálica que acompaña al producto. Introduzca el tornillo de montaje en la arandela y, a continuación, encájelo en el orificio del nicho correspondiente.



Instalación De Los Cables En El Lugar

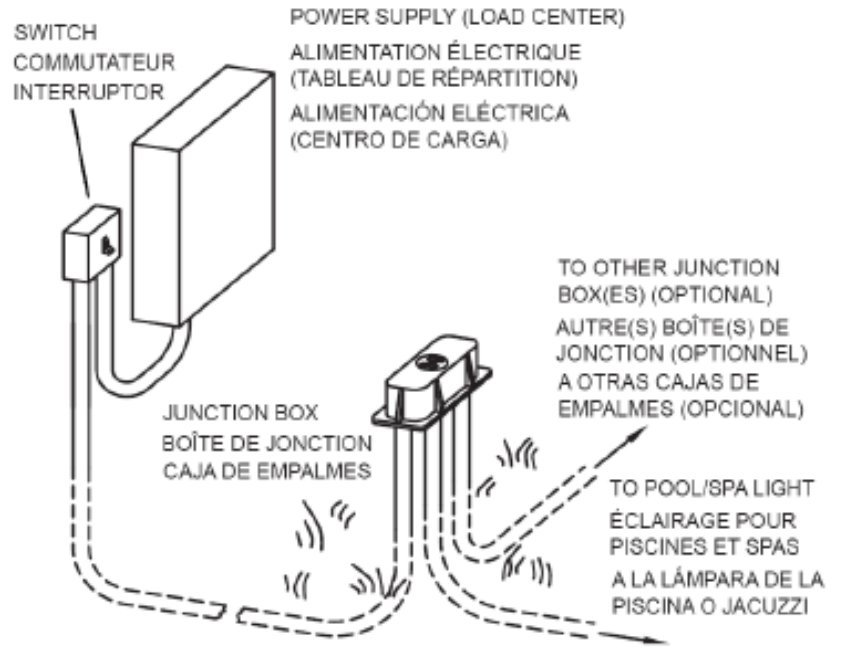
Extienda el conducto desde la caja de empalmes hasta la alimentación eléctrica, el controlador de la piscina o jacuzzi, o la caja de interruptores. Tienda 3 cables (que correspondan al calibre del cable de la lámpara o mayores) a través del conducto desde la caja de empalmes hasta la alimentación eléctrica, el controlador de la piscina o jacuzzi, o la caja de interruptores. Si se van a instalar varias lámparas, extienda conductos y cables adicionales desde la caja de empalmes hasta las demás cajas de empalmes. Al conectar varias lámparas al mismo circuito de bifurcación, se debe tener cuidado de elegir el tamaño adecuado del cable con base en el vataje total de todas las lámparas conectadas con el circuito. Use tuercas para cables para conectar los cables instalados en el campo al cable de la lámpara en la caja de empalmes. Una los cables de conexión a tierra, a las conexiones de la terminal a tierra en el interior de la caja de empalmes.

Conexión De La Lámpara A Los Controles - 120 V

De conformidad con el Artículo 680-22 de NEC, todas las lámparas subacuáticas de 120 V deben tener un protector GFCI (interruptor del circuito de fallos de conexión a tierra). Si se instalan varias lámparas ColorLogic de Hayward, es posible sincronizarlas. Para sincronizar las lámparas, conéctelas todas al mismo interruptor o relé. Las lámparas ColorLogic de Hayward se controlan por medio de ciclos de alimentación. No se necesita un controlador especial para activar la lámpara y encenderla en distintos modos. La lámpara puede encenderse con cualquier interruptor básico de encendido y apagado (no debe con un conmutador de luces).

Si se utiliza un sistema de control para piscina o jacuzzi serie PSC2100 de Hayward, conecte la lámpara de LED al circuito principal para la lámpara ("LIGHT"), o con el circuito "AUX 4". El controlador PSC2100 de Hayward viene con un GFCI integrado para estos circuitos y no es necesario instalar un GFCI adicional. Tenga en cuenta que si se utiliza el circuito "LIGHT" del controlador PSC, el controlador debe configurarse para una lámpara que no pueda atenuarse (interruptor DIP No.1 en posición inferior). Las lámparas de LED ColorLogic de Hayward también son compatibles con diversos controladores para piscina o jacuzzi que controlan equipos por medio de interruptores sencillos de encendido y apagado; consulte el manual de instrucciones de su controlador para mayores detalles.

Si tiene algún problema, consulte el apartado "Instrucciones de operación" de este manual.



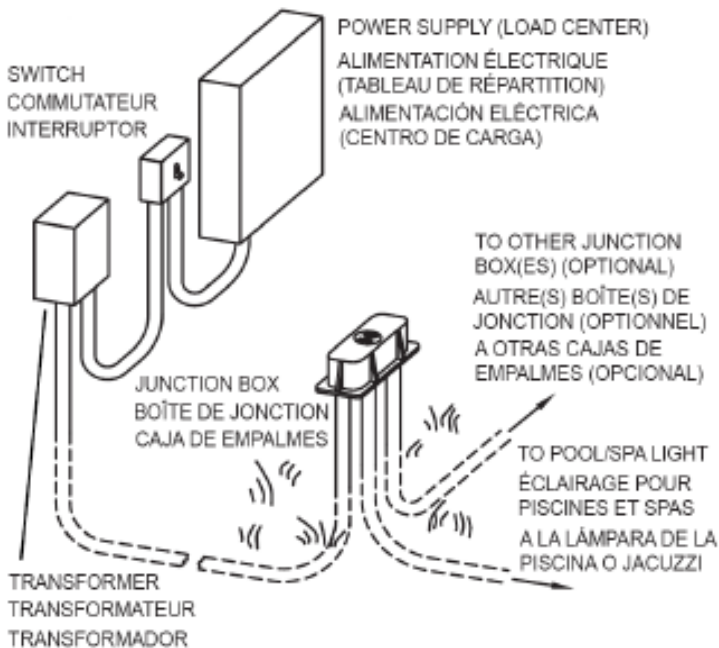
Conexión De La Lámpara A Los Controles - 12 V

Es necesario instalar un transformador apropiado y clasificado para lámparas de bajo voltaje para exteriores, piscinas y jacuzzis (modelo Intermatic PX100, PX300, o uno equivalente). El transformador debe estar clasificado para el vataje total utilizado por todas las lámparas conectadas, o uno mayor. Siga las instrucciones del fabricante del transformador para conectarlo correctamente. Si se instalan varias lámparas ColorLogic de Hayward, es posible sincronizarlas. Para sincronizar las lámparas, conéctelas todas al mismo interruptor.

Las lámparas ColorLogic de Hayward se controlan por medio de ciclos de alimentación. No se necesita un controlador especial para activar la lámpara y encenderla en distintos modos. La lámpara puede encenderse con cualquier interruptor básico de encendido y apagado (no debe con un conmutador de luces).

Si se utiliza un sistema de control para piscina o jacuzzi serie PSC2100 de Hayward, conecte la lámpara de LED con el circuito principal para la lámpara ("LIGHT"), o con el circuito "AUX 4". Tenga en cuenta que si se utiliza el circuito "LIGHT" del controlador PSC, el controlador debe configurarse para una lámpara que no pueda atenuarse (interruptor DIP No.1 en posición inferior). Las lámparas de LED de Hayward son también compatibles con diversos controladores para piscina o jacuzzi que controlan equipos por medio de sencillos interruptores de encendido y apagado; consulte el manual de instalación de su controlador para mayores detalles.

Si tiene algún problema, consulte el apartado "Instrucciones de operación" de este manual. Si la longitud total del cable que va del transformador a la lámpara supera los 18 metros, se recomienda utilizar un transformador de más voltaje. Para más información, consulte la tabla que aparece al dorso.





Operación

Para Empezar

Felicitaciones por comprar la lámpara de LED ColorLogic de Hayward. Le damos la bienvenida a un mundo más colorido gracias a Hayward y Chromacore, (R) la tecnología patentada que produce luces de colores y efectos por medio de un microprocesador que controla diodos emisores de luz roja, verde y azul. Las lámparas subacuáticas ColorLogic de Hayward para piscina o jacuzzi tienen las siguientes características:

1. LEDs de larga duración, con una vida útil hasta 10 veces mayor que las lámparas incandescentes, halógenas, o de haluro metálico actuales para piscina y jacuzzi.
2. Función multicolor sin ruedas de colores ni piezas móviles que puedan desgastarse
3. Función de programa multicolor que le permite seleccionar uno de 12 programas diferentes, 5 colores fijos, y secuencias.
4. Bajo consumo eléctrico. Utiliza aproximadamente la mitad de la energía que una bombilla normal de 100 vatios.

Operación De La Lámpara

La lámpara ColorLogic de Hayward funciona por medio de ciclos de alimentación, un método de cambio de modos que no requiere de controladores ni interfaces especiales. Para activar la lámpara, basta con encender el interruptor. Para desactivar la lámpara, basta con apagar el interruptor. Para avanzar al siguiente programa, apague el interruptor y enciéndalo de nuevo en un lapso de 10 segundos. Cada vez que la lámpara permanezca apagada durante más de 60 segundos, al encenderla de nuevo estará de color blanco por 15 segundos, para darle una vista clara y rápida de su piscina; luego cambiará al último color fijo o secuencia de colores que se estaba utilizando.

Sincronización De Lámparas

Si su piscina o jacuzzi tiene varias lámparas de LED ColorLogic de Hayward, podrá encenderlas de manera independiente, pero también puede sincronizarlas fácilmente para que todas emitan luz del mismo color o muestren las mismas secuencias a la vez. Para sincronizar las lámparas, conéctelas todas al mismo interruptor. Después de instaladas, todas las lámparas deberán sincronizarse automáticamente. Sin embargo, si pierden la sincronización, es posible hacer que funcionen juntas nuevamente con facilidad. Para volver a sincronizar las lámparas, encienda el interruptor, luego apáguelo de nuevo, espere entre 11 y 14 segundos, y enciéndalo de nuevo. Cuando se enciendan de nuevo las lámparas, deberán estar en el programa No. 1 y sincronizadas.

Programas

La lámpara ColorLogic de Hayward puede mostrar 12 programas diferentes. Para avanzar por los programas se utilizan los ciclos de alimentación. Éstos son los programas:

- | | |
|---|---|
| 1. Secuencia - Voodoo Lounge - baño rápido de colores | 7. Secuencia - Twilight - baño lento de colores |
| 2. Fijo - Deep Blue Sea (océano profundo) | 8. Secuencia - Tranquility - desvanecido de azul, cian y blanco |
| 3. Fijo - Afternoon Skies (cielo al atardecer) | 9. Secuencia - Gemstone - desvanecido de azul, verde y magenta |
| 4. Fijo - Emerald (esmeralda) | 10. Secuencia - USA! - Cambio de rojo a blanco y azul |
| 5. Fijo - Sangría | 11. Secuencia - Mardi Gras - desvanecido aleatorio rápido |
| 6. Fijo - Cloud White (blanco nube) | 12. Secuencia - Cool Cabaret - desvanecido aleatorio lento |

Solución De Problemas

Si tiene problemas con la lámpara ColorLogic de Hayward, lleve cabo los siguientes procedimientos antes de llamar al técnico:

PROBLEMA: La lámpara no avanza a la siguiente secuencia después de un ciclo de alimentación (se apaga y se enciende de nuevo)

SOLUCIÓN: No encienda y apague el interruptor rápidamente, déjelo apagado por lo menos 1 segundo antes de volver encenderlo.

PROBLEMA: La lámpara se enciende en luz blanca después de un ciclo de alimentación (se apaga y se enciende de nuevo)

SOLUCIÓN: Cerciórese de que el ciclo de encendido y apagado tarde menos de 10 segundos.

PROBLEMA: Varias lámparas no están sincronizadas correctamente.

SOLUCIÓN: Siga los pasos en estas instrucciones para sincronizar las lámparas de nuevo.

PROBLEMA: La lámpara no enciende.

SOLUCIÓN: Revise para detectar fallos de la conexión a tierra vuelva a configurarla si es necesario.

PROBLEMA: La lámpara no enciende o se enciende y se apaga.

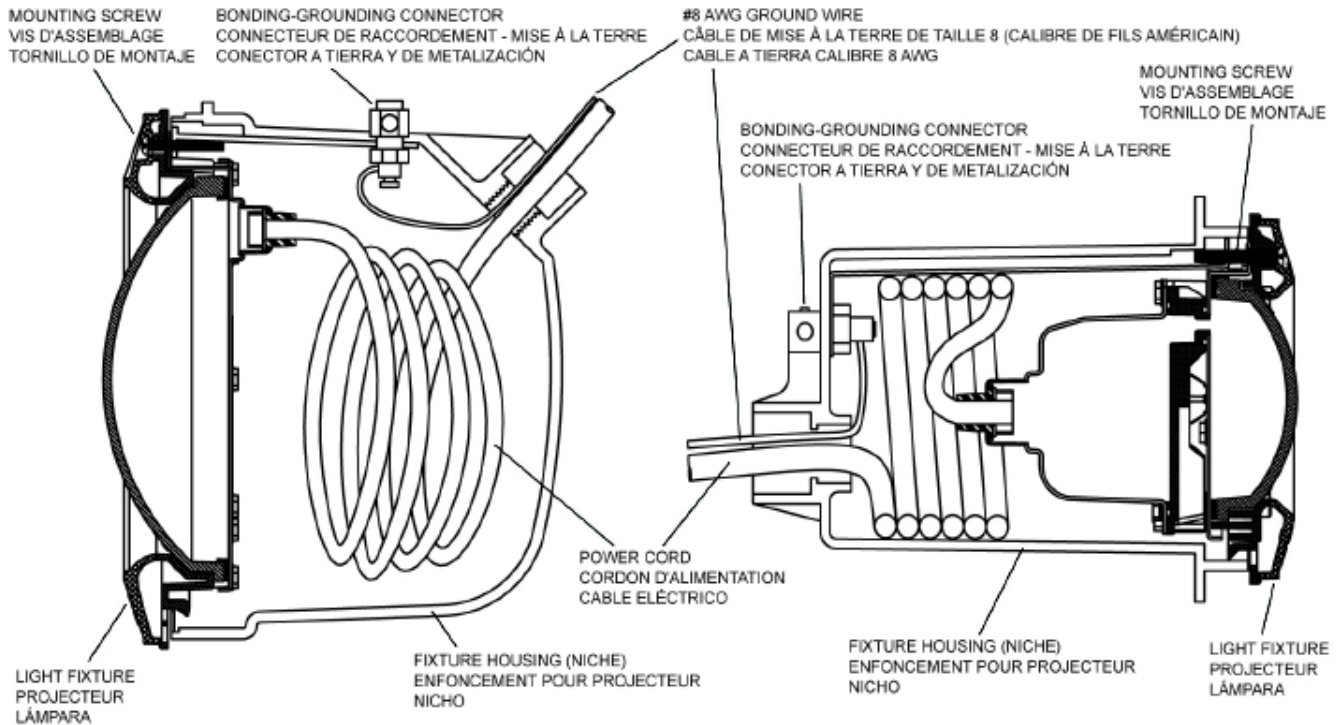
SOLUCIÓN: Es posible que el interruptor térmico automático esté encendiéndose y apagándose debido a temperaturas excesivas. Revise la temperatura del agua de la piscina o jacuzzi.

PROBLEMA: La luz no funciona correctamente o no enciende.

SOLUCIÓN: Revise que el controlador de la piscina o jacuzzi no esté "amortiguando" la luz.

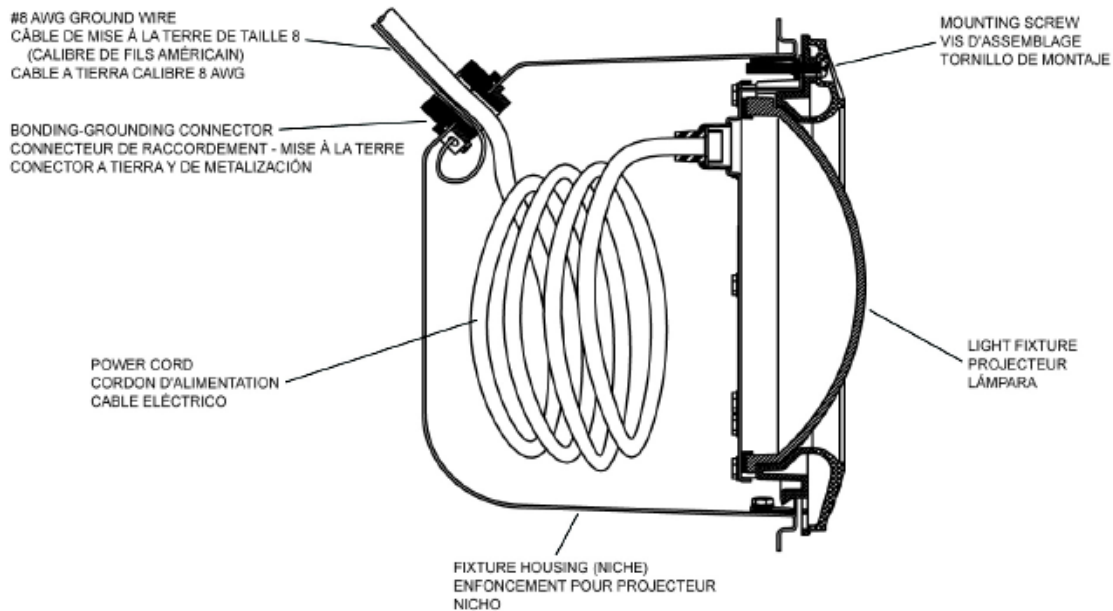


HAYWARD®



SP0524(S) / SP0525(S) / SP0527(S) / W3SP0527(S) Pool Light Inside Hayward SP0600U Niche
 SP0524(S) / SP0525(S) / SP0527(S) / W3SP0527(S) Projecteur Pour Piscine Dans Enfoncement
 Hayward SP0600U
 Lámpara Para Piscina SP0524(S) / SP0525(S) / SP0527(S) / W3SP0527(S) Dentro Del Nicho
 SP0600U De Hayward

SP0532(S) / SP0533(S) / SP0535(S) / W3SP0535(S) Spa Light Inside Hayward SP0601U / SP0608U Niche
 SP0532(S) / SP0533(S) / SP0535(S) / W3SP0535(S) Projecteur Pour Spa Dans Enfoncement Hayward
 SP0601U / SP0608U
 Lámpara Para Jacuzzi SP0532(S) / SP0533(S) / SP0535(S) / W3SP0535(S) Dentro Del Nicho SP0601U /
 SP0608U De Hayward



SP0524(S) / SP0525(S) / SP0527(S) Pool Light Inside Hayward SP0604C / SP0609C Niche
 SP0532(S) / SP0533(S) / SP0535(S) Projecteur Pour Spa Dans Enfoncement Hayward SP0601U / SP0608U
 Lámpara Para Jacuzzi SP0532(S) / SP0533(S) / SP0535(S) Dentro Del Nicho SP0601U / SP0608U De Hayward



En lámparas de bajo voltaje, la longitud del cable afecta el rendimiento. Para evitar problemas, compruebe que el transformador proporcione el voltaje adecuado, tal como se indica en la siguiente tabla. Para verificar el voltaje, médalo en el transformador cuando la lámpara esté encendida y en modo "blanco". En algunos casos, cuando el cable es demasiado largo, es necesario un voltaje superior a 12 V. Algunos transformadores tienen derivaciones de mayor voltaje. En caso de duda, consulte las instrucciones de instalación del fabricante.



PARA OBTENER MÁS INFORMACIÓN O
SERVICIO TÉCNICO AL CONSUMIDOR, VISITE NUESTRO SITIO WEB:
www.hayward.com



Hayward es una marca registrada, y ColorLogic y CrystalLogic
son marcas registradas de Hayward Industries, Inc. © 2019 Hayward Industries, Inc.

Todas las demás marcas que no son propiedad de Hayward son propiedad de sus respectivos dueños.
Hayward no está de ninguna manera afiliada con dichos terceros ni avalada por ellos.