



## ***Known For Reliability For Over 87 Years***

Increase your yield and make a better product with the BIRO Model VTS-100 or VTS-500 Vacuum Tumbler. Heavy duty casters let you do your tumbling virtually anywhere in your plant, and the drain hole in the drum makes cleanup a snap. Run/jog controls let you position the drum for easy cleaning or unloading. Of course, we've made sure that these tumblers have a vacuum pump that can evacuate the drum quickly, so you don't have to sit around and wait. The three stage timer on the VTS-500 lets you program relax time into your tumbling cycle for products such as hams or bellies. Improve your profits with value added products.



VTS-100



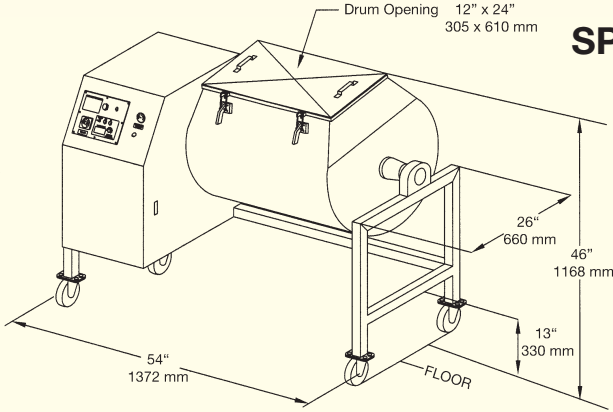
VTS-500

**VTS-100 / 500**

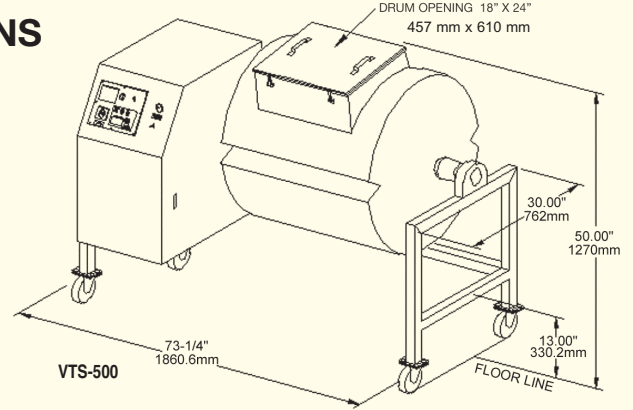


**Stands alone for quality  
and value since 1921**

**SPECIFICATIONS**



VTS-100



VTS-500

MODELS	VTS-100 VACUUM MARINATING TUMBLER	VTS-500 VACUUM MARINATING TUMBLER																																													
ELECTRICAL	3/4 HP, 115 VOLTS, 60 CYCLE, 1 PHASE HAS 8' CORD AND PLUG; 220 VOLTS, 50/60 CYCLE, 1 PHASE HAS 8' CORD NO PLUG.																																														
CONSTRUCTION	STAINLESS STEEL DRUM AND FRAME.																																														
MOTORS	CONTROLS ARE NEMA 4X RATED <table border="1" style="width: 100%;"> <thead> <tr> <th>MOTOR</th> <th>HP</th> <th>TYPE</th> <th>KW</th> <th>VOLTS</th> <th>AMPS</th> <th>HERTZ</th> <th>PHASE</th> <th>CODE</th> </tr> </thead> <tbody> <tr> <td>DRIVE</td> <td>3/4</td> <td>TEFC</td> <td>.56</td> <td>115/230</td> <td>12/6</td> <td>60</td> <td>1</td> <td>STD</td> </tr> <tr> <td>PUMP</td> <td>3/4</td> <td>OPDP</td> <td>.56</td> <td>115/230</td> <td>12/6</td> <td>60</td> <td>1</td> <td>STD</td> </tr> <tr> <td>DRIVE</td> <td>3/4</td> <td>TEFC</td> <td>.56</td> <td>220</td> <td>7</td> <td>50</td> <td>1</td> <td>EC</td> </tr> <tr> <td>PUMP</td> <td>3/4</td> <td>OPDP</td> <td>.56</td> <td>220</td> <td>7</td> <td>50</td> <td>1</td> <td>EC</td> </tr> </tbody> </table> STD=STANDARD OP=OPTIONAL EC=EXTRA COST TEFC= TOTALLY ENCLOSED FAN COOLED OPDP=OPEN DRIP PROOF		MOTOR	HP	TYPE	KW	VOLTS	AMPS	HERTZ	PHASE	CODE	DRIVE	3/4	TEFC	.56	115/230	12/6	60	1	STD	PUMP	3/4	OPDP	.56	115/230	12/6	60	1	STD	DRIVE	3/4	TEFC	.56	220	7	50	1	EC	PUMP	3/4	OPDP	.56	220	7	50	1	EC
MOTOR	HP	TYPE	KW	VOLTS	AMPS	HERTZ	PHASE	CODE																																							
DRIVE	3/4	TEFC	.56	115/230	12/6	60	1	STD																																							
PUMP	3/4	OPDP	.56	115/230	12/6	60	1	STD																																							
DRIVE	3/4	TEFC	.56	220	7	50	1	EC																																							
PUMP	3/4	OPDP	.56	220	7	50	1	EC																																							
DRUM CAPACITY	100 LBS. (45.4 KG), TUMBLE 100 LBS. (45.4 KG) APPROX.	500 LBS. (227 KG). TUMBLE 440 LBS. (199 KG) APPROX.																																													
DUMP HEIGHT	30" (762 MM), DRUM OPENING AT 9 O' CLOCK POSITION.	24" (609 MM), DRUM OPENING AT 9 O' CLOCK POSITION.																																													
DRIVE MOTOR	3/4 HP (.56 KW), VARIABLE SPEED (0-14 RPM), 60:1 TRANSMISSION, TEFC (TOTALLY ENCLOSED FAN COOLED).																																														
VACUUM PUMP	3/4HP (.56 KW) 60 CYCLE, 1 PHASE.																																														
TIMER	0-50 MINUTE INTERVAL MODE TIMER (DIAL).	99 MINUTE PROGRAMABLE REPEAT CYCLE (RUN-STOP-RUN)																																													
TUMBLE SPEED	0-14 RPM.																																														
SAFETY STANDARD	PHOTO ELECTRIC EYE FOR SAFETY SHUT DOWN.																																														
STANDARD FEATURES	5" LOCKING SWIVEL CASTERS, DRAIN CAP WRENCH, EXTERNAL MOISTURE TRAP WITH REMOVAL TOOL, INTERNAL IN-LINE FILTER, 1 EXTRA FILTER ELEMENT, 8' CORD AND PLUG 115V, 8' CORD NO PLUG 220 V, 4 ADJUSTABLE, QUICK RELEASE TOGGLE CLAMPS ON LID, SILICONE LID GASKET, OPERATING AND SAFETY MANUAL.																																														
OPTIONS (EC)	220-50-1 OR 220-60-1, LEG EXTENSIONS, STAINLESS STEEL LOCKING SWIVEL CASTERS AND BALL BEARINGS. REVERSE SWITCH MOMENTARY, PROGRAMMABLE REPEAT CYCLE TIMER (RUN-STOP-RUN) WITH TIME INHIBITOR (MEMORY), STAINLESS STEEL CRIMPED FITTINGS ON HOSE, PROTECTIVE ENCLOSURE FOR CONTROL PANEL, 1 HP HEAVY DUTY VACUUM PUMP.	220-50-1 OR 220-60-1, LEG EXTENSIONS, STAINLESS STEEL LOCKING SWIVEL CASTERS AND BALL BEARINGS, REVERSE SWITCH MOMENTARY, TIME INHIBITOR (MEMORY), STAINLESS STEEL CRIMPED FITTINGS ON HOSE, PROTECTIVE ENCLOSURE FOR CONTROL PANEL, 1 HP HEAVY DUTY VACUUM PUMP.																																													
CERTIFICATION	N/A.	U.L.																																													
WEIGHT	UNCRATED: 435 LBS. (198 KG). CRATED: 640 LBS. (290 KG).	UNCRATED: 645 LBS. (293 KG) APPROXIMATE. CRATED: 857 LBS. (389 KG) APPROXIMATE.																																													
DIMENSIONS CRATED	L = 71" (1803 MM) X W = 43" (1069 MM) X H = 57" (1448 MM).	L = 96" (2438 MM), X W = 43" (1069 MM), X H = 57" (1448 MM)																																													

**THE BIRO MANUFACTURING COMPANY  
1114 WEST MAIN STREET  
MARBLEHEAD, OH 43440-2099 U.S.A.**

**Phone: (419) 798-4451  
Fax: (419) 798-9106  
<http://www.birosaw.com>  
[sales@birosaw.com](mailto:sales@birosaw.com)**

ALL SPECIFICATIONS CONTAINED HEREIN ARE SUBJECT TO CHANGE WITHOUT NOTIFICATION. ITEM NO.: LIT VTS-100/500-328 FORM NO.: Md VTS-100/500-328-02-09-1-ENG-MARK

Service is available from over 245 locations worldwide