



Model MB Bread Slicer

Exploded Views and Parts List

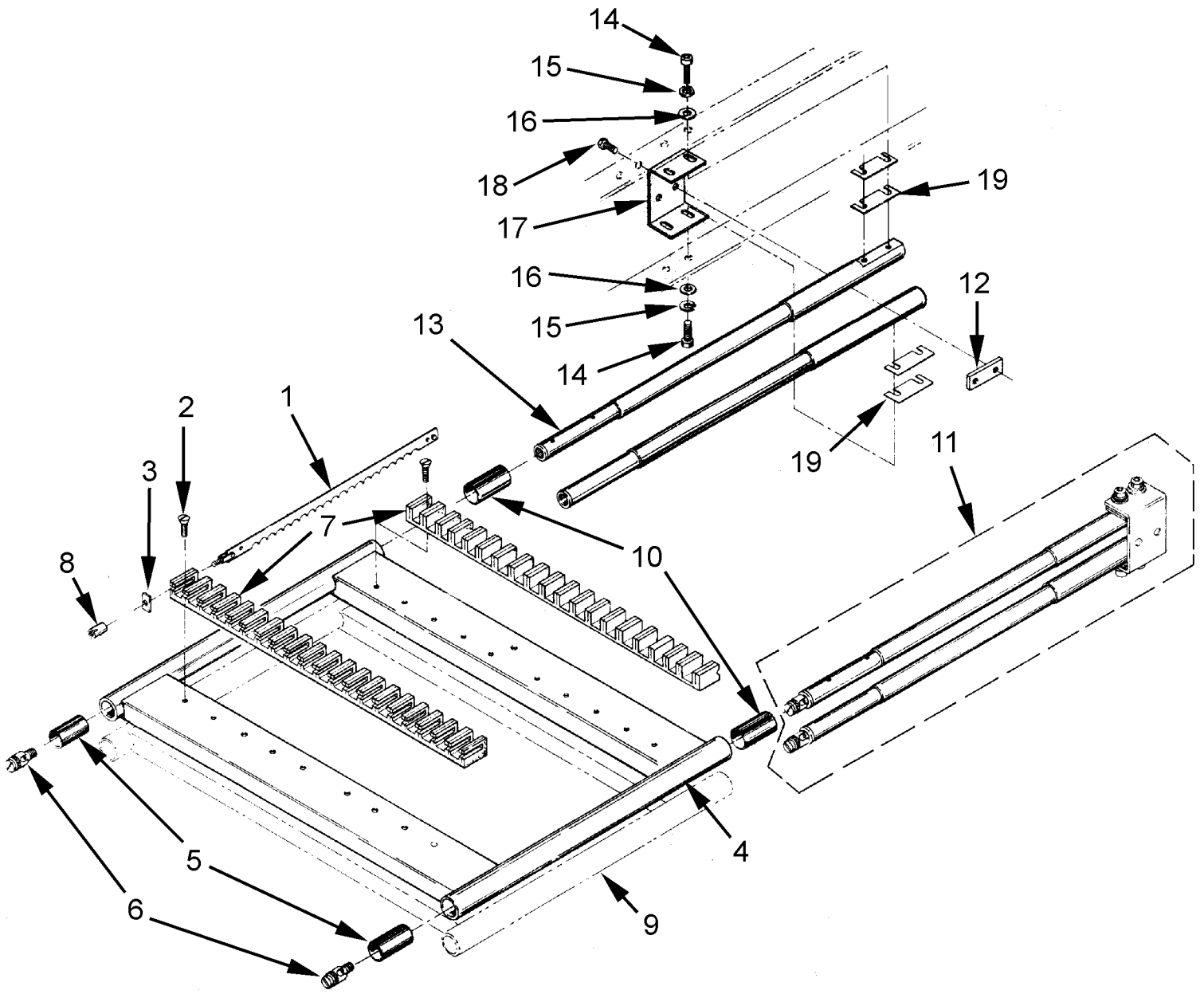
Berkel Miami Inc.

(305) 622-8899
1-800-464-3020

www.berkelmiami.com

BK46722

BLADE AND FRAME ASSEMBLY



Berkel Miami Inc.

(305) 622-8899
1-800-464-3020

www.berkelmiami.com

BLADE AND FRAME ASSEMBLY

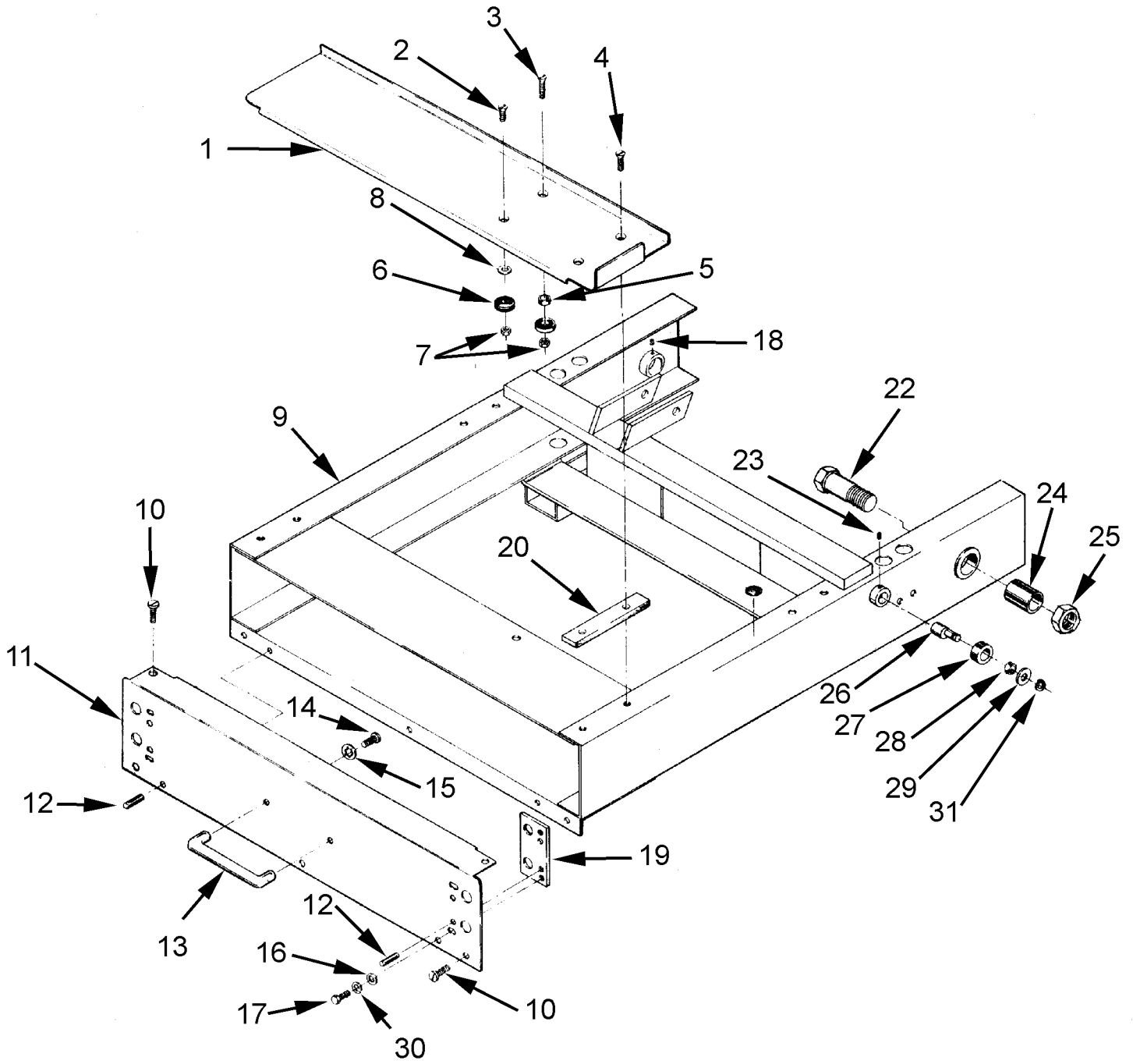
ITEM #	DESCRIPTION	PART NUMBER
1	Blade Assembly, Standard	4575-00693
	Blade Assembly, Chrome Onion	4575-09693
	Blade Assembly, Stainless Steel	4575-00968
2	Lug Plate Screw	2175-00349
3	Knife Lug Tab	3475-00656
4	Knife Frame Complete, Upper 3/8"	4975-00197
	Knife Frame Complete, Upper 7/16"	4975-00199
	Knife Frame Complete, Upper 1/2"	4975-00201
	Knife Frame Complete, Upper 3/4"	4675-00654
5	Bushing, 5/8" ID	07322-1E
6	Revolving Oiler Sleeve	08594
7	Lug plate set - front and rear 1/2"	4975-00183
	Lug plate set - front and rear 7/16"	4975-00182
	Lug plate set - front and rear 3/8"	4975-00181
8	Blade retaining nut	3375-00990
9	Knife Frame Complete, Lower 3/8"	4975-00198
	Knife Frame Complete, Lower 7/16"	4975-00200
	Knife Frame Complete, Lower 1/2"	4975-00202
	Knife Frame Complete, Lower 3/4"	4675-00655
10	Bushing, 3/4" ID	07322-1F
11	Slide Bar Assembly, Left	4675-00016
	Slide Bar Assembly, Right	4675-00017
12	Slide Bar Strap	270-25389
13	Slide Bar	270-25387
14	Socket Head Screw	2175-00233
15	Lock Washer	2275-03055
16	Flat Washer	09463-60
17	Slide Bar Bracket	270-25388
18	Hex Screw	2175-03061
19	Shim	25390-06
	42 Blades needed for a 3/8" machine	
	36 Blades needed for a 7/16" machine	
	30 Blades needed for a 1/2" machine	
	21 Blades needed for a 3/4" machine	

Berkel Miami Inc.

(305) 622-8899
1-800-464-3020

www.berkelmiami.com

INNER FRAME



Berkel Miami Inc.

(305) 622-8899
1-800-464-3020

www.berkelmiami.com

INNER FRAME

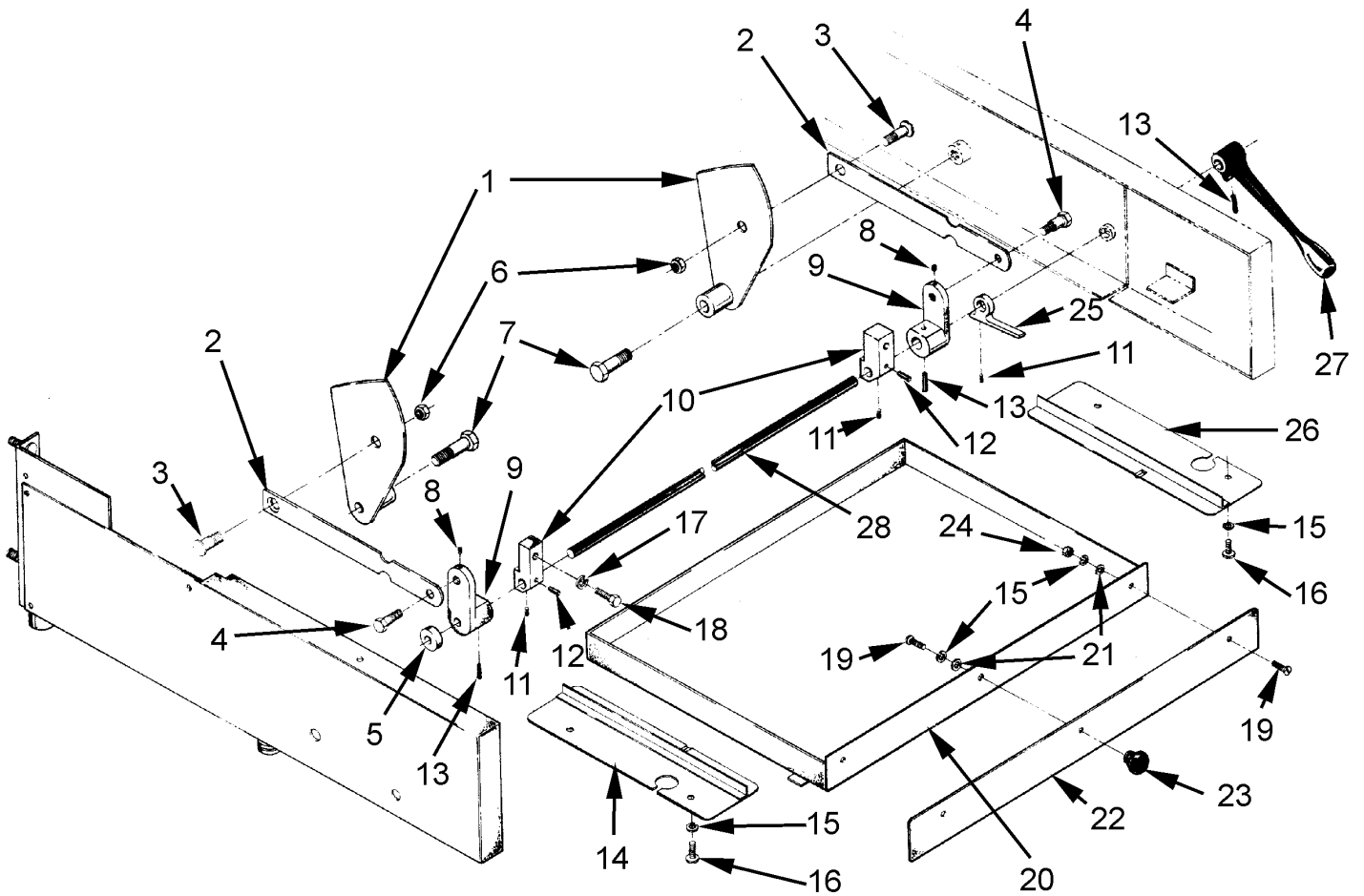
ITEM #	DESCRIPTION	PART NUMBER
1	Bagging Trough	A-07324-6
2	Flat head screw	2175-03631
3	Flat head screw	2175-03634
4	Flat head screw	2175-03653
5	Spacer	08516
6	Rubber pad	02112-1C
7	Hex nut	2175-07030
8	Shim	2275-00408
9	Knife bearing bracket, white	4575-00796
10	Screw	2175-00423
11	Front cover, white	3475-00753
12	Groove pin	2275-01140
13	Frame operating handle	2175-00438
14	Screw	2175-03431
15	Internal tooth lockwasher	2275-03047
16	Washer	2275-00304
17	Hex screw	2175-00200
18	Setscrew	2175-05152
19	Front block	07322-7C
20	Bagging trough spacer	3375-01172
22	Pivot bolt	08469
23	Setscrew	2175-00198
24	Bushing	07103-1
25	Hex nut	08482
26	Eccentric pin	07322-10
27	Cam roller	07322-12
28	Bushing	10151
29	Shim	2275-00403
30	Lockwasher	2275-03055
31	Retaining ring	2175-00078
	Onion Chute	A-07334-1

Berkel Miami Inc.

(305) 622-8899
1-800-464-3020

www.berkelmiami.com

CAMS, LINKAGES AND SCRAP PAN



Berkel Miami Inc.

(305) 622-8899
1-800-464-3020

www.berkelmiami.com

CAMS, LINKAGES AND SCRAP PAN

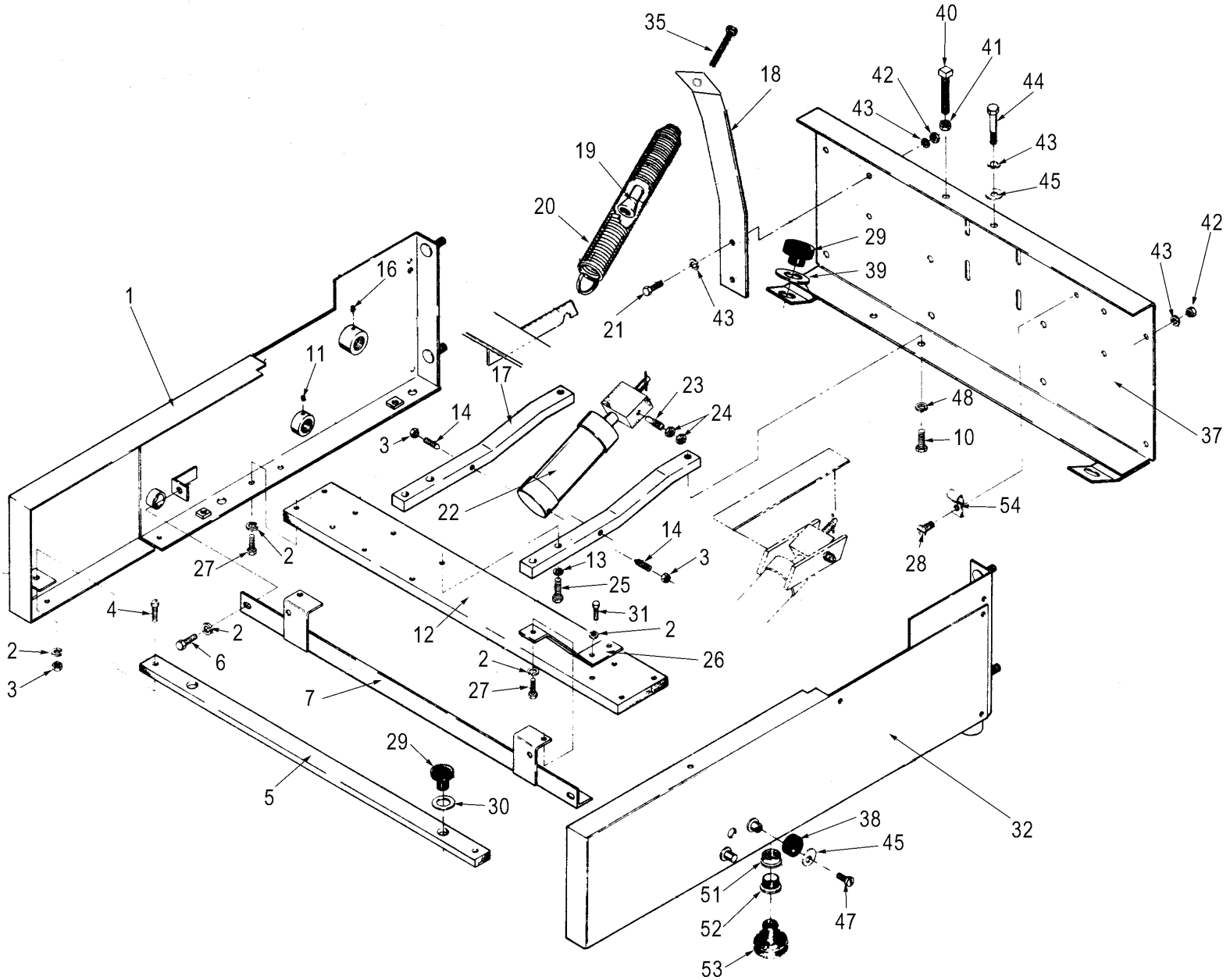
ITEM #	DESCRIPTION	PART NUMBER
1	Bread Cam, Pair	470-25358
2	Connecting cam link	07324-5A
3	Sholder screw	8589
4	Hex Bolt	8588
5	Spacer	07324-4A
6	Hex Nut	2175-00137
7	Hex Bolt	8587
8	Set Screw	2175-00187
9	Locating Bracket	07324-D
10	Support Bracket	07304-2F
11	Set Screw	2175-00198
12	Taper Pin	9201
13	Taper Pin	2275-00159
14	Scrap pan support assembly L.H.	4575-00251
15	Lock Washer	2275-03045
16	Screw	2175-00189
17	Lock Washer	2275-03055
18	Hex Bolt	2175-00210
19	Screw	2175-03441
20	Scrap pan, gray	3875-00153
	Scrap pan, white, complete	4675-00798
	Scrap pan, chrome, complete	4675-00358
21	Washer	2275-03041
22	Scrap pan front plate, white	3475-00749
	Scrap pan front plate, chrome	3475-00354
23	Scrap pan knob	2275-00405
24	Hex Nut	2175-05040
25	Switch operating arm assembly	3775-00080
26	Scrap pan support assembly R.H.	4575-00250
27	Operating handle	07322-A
28	Bread trough pivot bar	07324-4

Berkel Miami Inc.

(305) 622-8899
1-800-464-3020

www.berkelmiami.com

OUTER FRAME



Berkel Miami Inc.

(305) 622-8899
1-800-464-3020

www.berkelmiami.com

OUTER FRAME ASSEMBLY

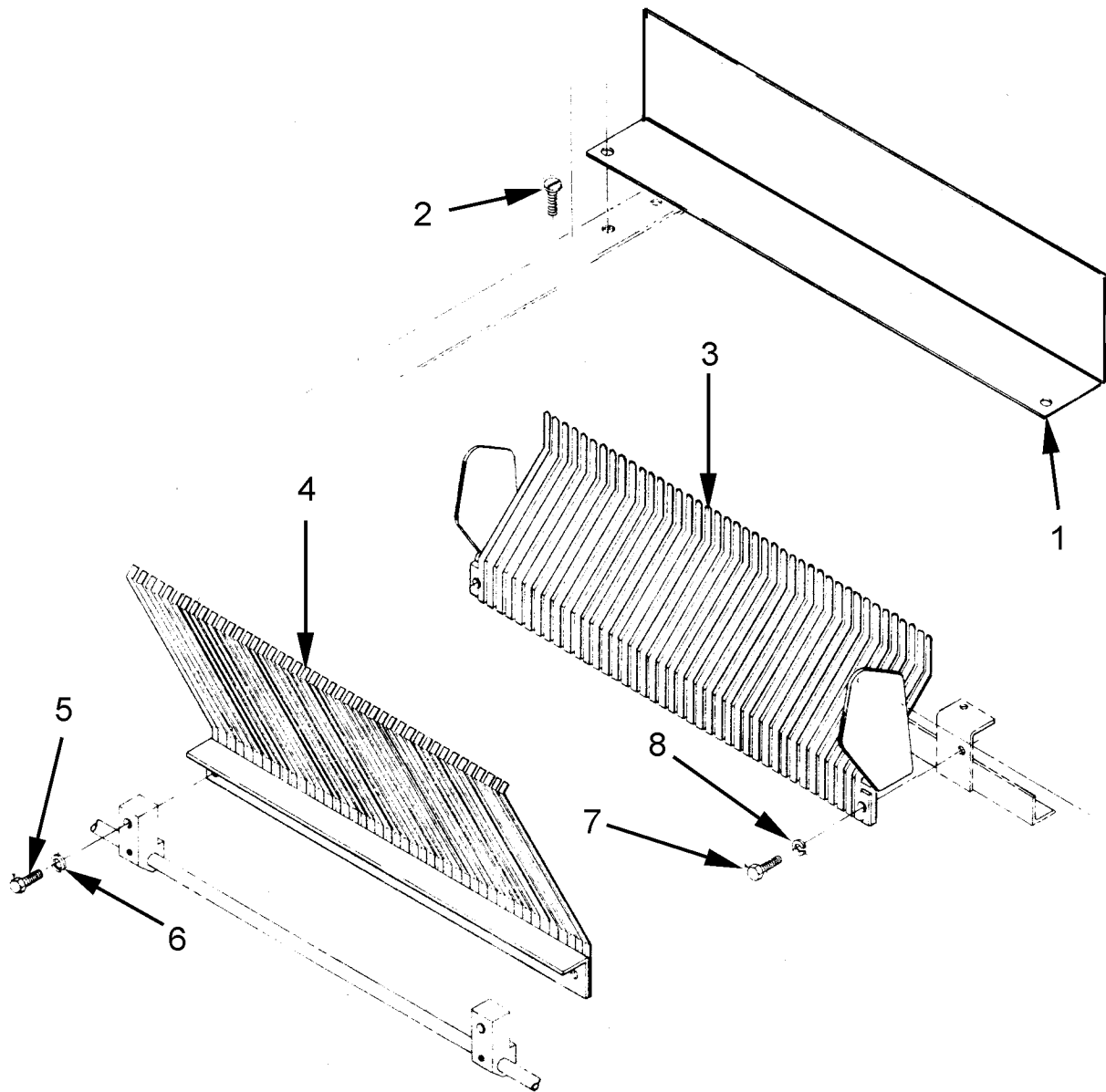
ITEM #	DESCRIPTION	PART NUMBER
1	Left side frame assy.-white	4575-00911
2	Lockwasher	2275-03055
3	Hex nut	2175-00214
4	Socket head cap screw	2175-00188
5	Front frame brace-white	3575-00203
6	Hex bolt	2175-00175
7	Stationary trough support	2A-07324-3
9	Lockwasher	2275-03055
10	Hex bolt	2175-00210
11	Setscrew	2175-00198
12	Frame brace, bottom	4675-00928
13	Lockwasher	2275-01055
14	Pivot plunger	08456
16	Setscrew	2175-05152
17	Plunger support, bottom	3375-01188
18	Bracket Assy., spring	3375-01186
19	Taper nut	07320-4F
20	Spring	08595
21	Hex bolt	08748
22	Dash pot, complete	4575-00346
23	Pivot plunger	07306-3G
24	Hex nut	2175-00137
25	Hex nut	2175-00256
26	Brace, stationary trough	375-01189
27	Hex bolt	2175-00200
28	Screw	2175-00186
29	Rubber bumper	07320-3D
30	Shim	10297-12
	Shim	10297-30
31	Hex bolt	2175-03051
32	Right side frame assy.-white	4575-00908
33	Screw	2175-00189
35	Hex bolt	2175-00194
37	Rear brace assy.	A-07320-3
38	Operating handle stop	07324-4B
39	Special washer	3275-00115
40	Bolt, square head	12225
41	Hex nut	2175-00173
42	Hex nut	2175-00120
43	Lockwasher	2275-03065
44	Hex bolt	08583
45	Washer	2275-03061
46	Shim	09405-30
47	Screw	2175-00189
48	Lockwasher	2275-03065
51	Lock nut, adjusting foot	07320-1R
52	Adjusting foot	07320-1Q
53	Rubber foot	A-03000-1
54	Clamp, wire	07325-5E
55	Screw	2175-00186
56	Washer	2275-03070
N/S	Set of 4" extention legs	4975-00052

Berkel Miami Inc.

(305) 622-8899
1-800-464-3020

www.berkelmiami.com

RACK ARRANGEMENT



Berkel Miami Inc.

(305) 622-8899
1-800-464-3020

www.berkelmiami.com

RACK ARRANGEMENT

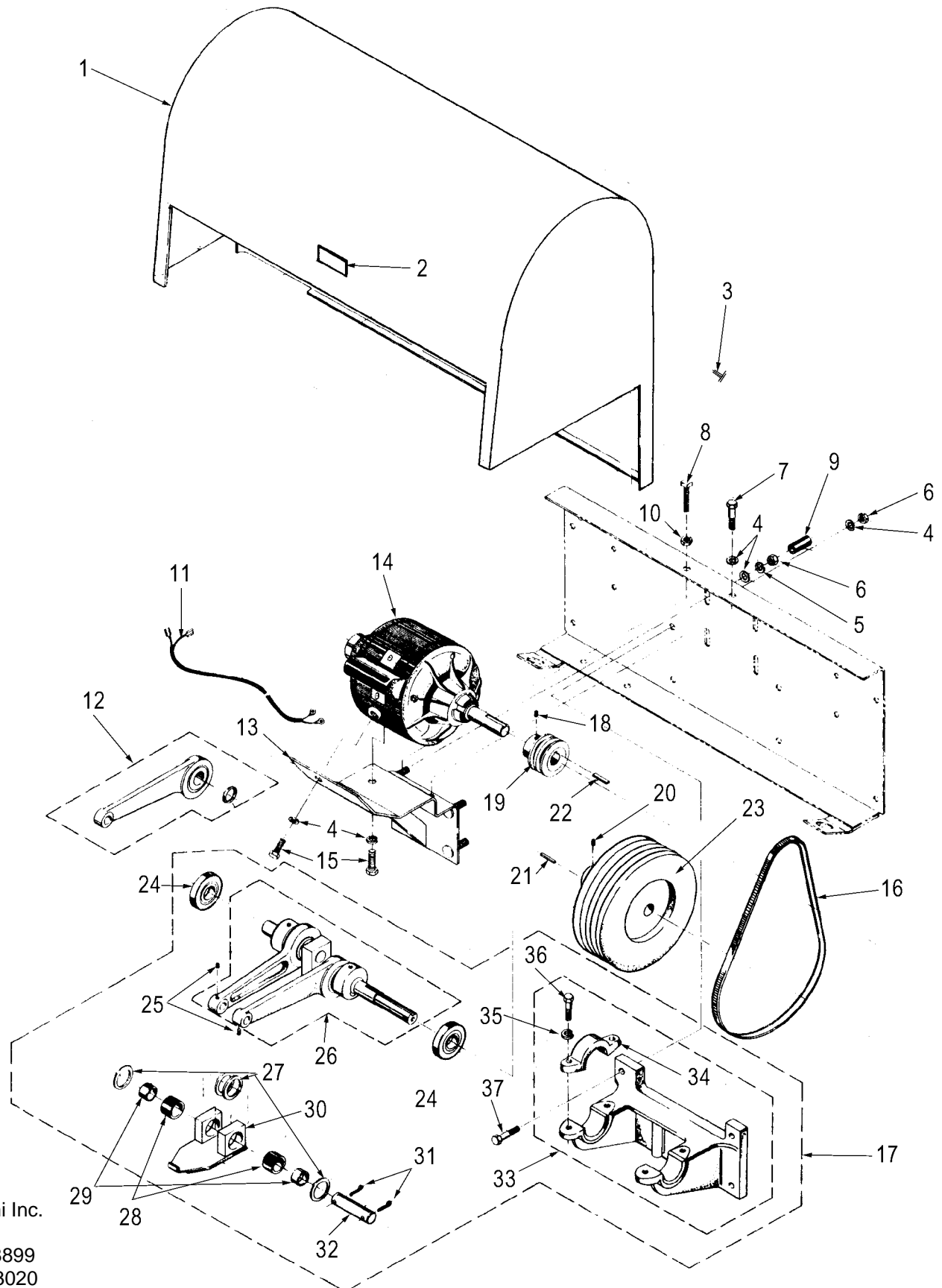
ITEM #	DESCRIPTION	PART NUMBER
1	"L" Shaped Cover, White	3875-00163
2	Screw	2175-03051
3	Stationary trough assy 1/2"	3A-07324-2E
	Stationary trough assy 7/16"	3A-07324-10C
	Stationary trough assy 3/8"	A-07324-14
4	Movable trough assy 1/2"	A-07324-1D
	Movable trough assy 7/16"	A-07324-12
	Movable trough assy 3/8"	A-07324-13
5	Hex Bolt	2175-00210
6	Lock Washer	2275-03055
7	Hex Bolt	2175-00231
8	Lock Washer	2275-03065

Berkel Miami Inc.

(305) 622-8899
1-800-464-3020

www.berkelmiami.com

CRANKSHAFT, MOTOR AND COVER



Berkel Miami Inc.

(305) 622-8899
1-800-464-3020

CRANKSHAFT, MOTOR, AND COVER

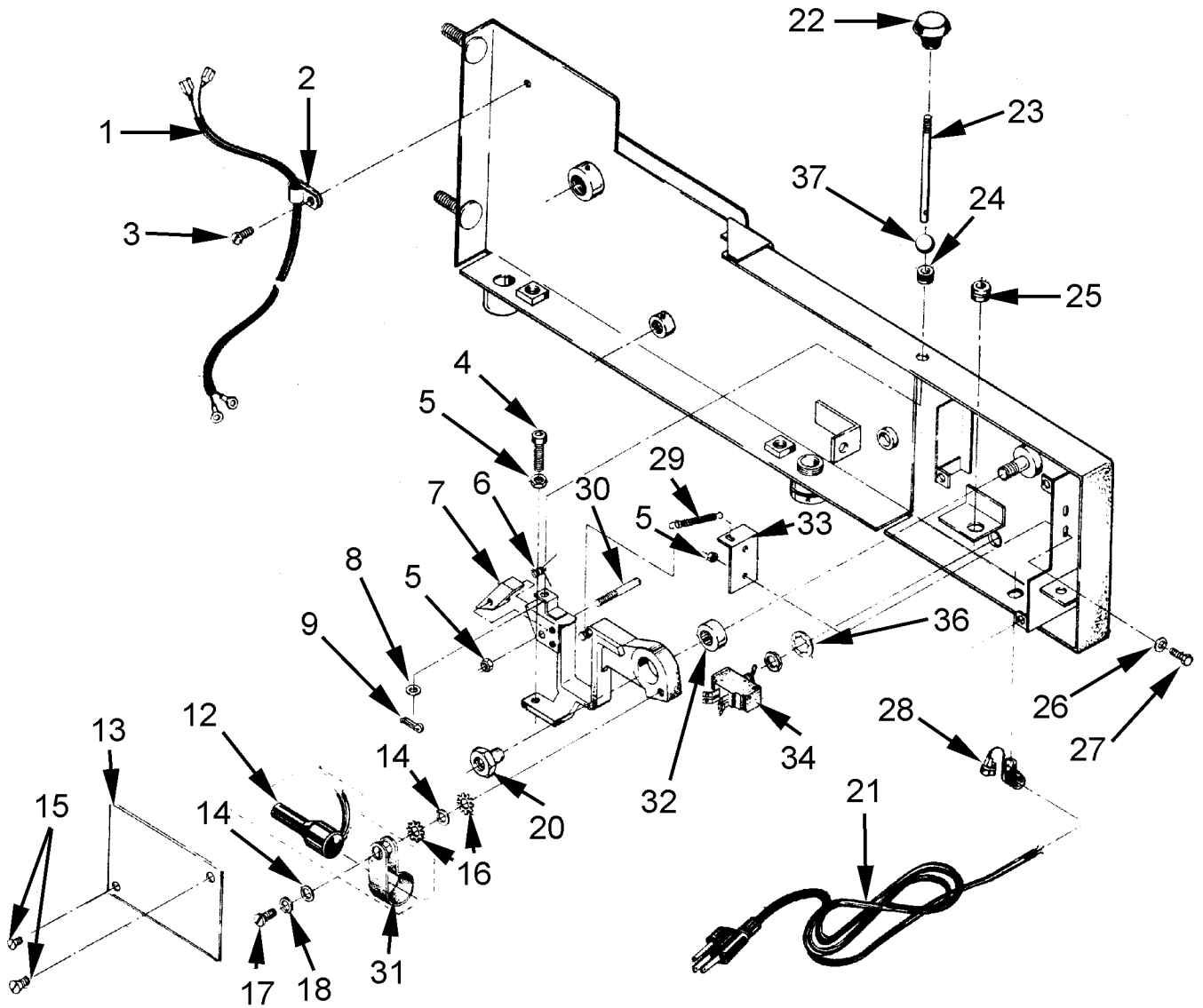
ITEM #	DESCRIPTION	PART NUMBER
1	Machine cover - white, plastic	4575-00885
	Machine cover - chrome	4575-00248
2	Warning label	3175-00537
3	Pan head screw	2175-00189
4	Lockwasher	2275-03065
5	Flat washer	2275-03061
6	Hex nut	2175-00120
7	Hex bolt	2175-01066
8	Square head bolt	12225
9	Rubber cover spacer	07327-4B
10	Hex nut	2175-00173
11	Switch to motor cord	4175-00304
12	Connecting rod & bearing assy	4975-00049
13	Motor base assembly	A-07321-2
14	Motor	07321-1H
15	Bolt	08748
16	Belt	2375-00120
17	Crankshaft & bracket assy.	4675-00690
18	Setscrew	2175-05163
19	Motor pulley w/setscrew	2375-00118
20	Setscrew	2175-05163
21	Square Key	2275-04826
22	Square Key	2275-04822
23	Crankshaft pulley	3775-00346
24	Ball bearing	2375-00010
25	Setscrew	2175-07152
26	Crankshaft shaft assy.	4375-00176
27	Shim	2275-00388
28	Bushing	2275-00249
29	Rubber bushing	3875-00121
30	Plate	4575-00660
30*	Plate assembly	4675-00865
31	Cotter pin	2275-03441
32	Connecting rod pin	3375-00954
33	Crankshaft bracket assy.	4675-00689
34	Crankshaft bracket cap	3775-00348
35	Lockwasher	2275-03055
36	Hex bolt	2175-00256
37	Hex bolt	09799
N/S	Power Cord	4175-00031

Berkel Miami Inc.

(305) 622-8899
1-800-464-3020

www.berkelmiami.com

SWITCH MECHANISM



Berkel Miami Inc.

(305) 622-8899
1-800-464-3020

www.berkelmiami.com

SWITCH MECHANISM

ITEM #	DESCRIPTION	PART NUMBER
1	Switch to motor cord	4175-00421
2	Wire clamp	07325-5E
3	Truss head scerw	2175-00186
4	Socket screw	2175-00203
5	Hex nut	2175-00199
6	Torsion spring	08670
7	Lever latch	07325-8A
8	Washer	09664-60
9	Cotter pin	2275-03430
10	Wire nut	2675-00024
11	Operating lever assembly	A-07325-C
12	Mercury switch	2675-00646
13	Switch box cover	3875-00159
14	Shim	00942-30
15	Flat head screw	2175-03631
16	Lockwasher	2275-00415
17	Pan head screw	2175-01322
18	Lockwasher	2275-00415
19	Mercury switch clamp	3675-00219
20	Pivot bushing nut	3375-01205
21	Power cord	4175-00031
22	Operating rod knob	2275-00405
	Operating rod	3375-01008
23	Switch operating rod	3375-01008
	Knob & Shaft Assembly	4975-09165
24	Rubber grommet	2275-00481
25	Rubber grommet	NLA
26	Washer	2275-03041
27	Hex screw	2175-00224
28	Strain relief	2675-00562
29	Tension spring	2375-00159
30	Special screw	08671
31	Mercury switch/clamp kit	4975-00170
32	Needle bearing	2375-00186
33	Spring bracket	3475-00863
34	Toggle switch	2675-00617
36	Lockwasher	2275-01087
37	"C" Clip (for new style rod)	2275-00267
N/S	Switch guard	2675-00647
N/S	Drive Rivot	2275-00425
N/S	Pin	12343
N/S	Pilot light 110 VAC	2675-00053
N/S	Bracket,Circuit breaker	3475-00868
N/S	Circuit breaker, 120VAC	2675-00584
N/S	Circuit breaker, 220VAC	2675-00583

Berkel Miami Inc.

(305) 622-8899
1-800-464-3020

www.berkelmiami.com

Berkel Miami Inc.

(305) 622-8899
1-800-464-3020

BK46722

www.berkelmiami.com