



*The Choice of Experience*

CATALOG OF  
REPLACEMENT PARTS



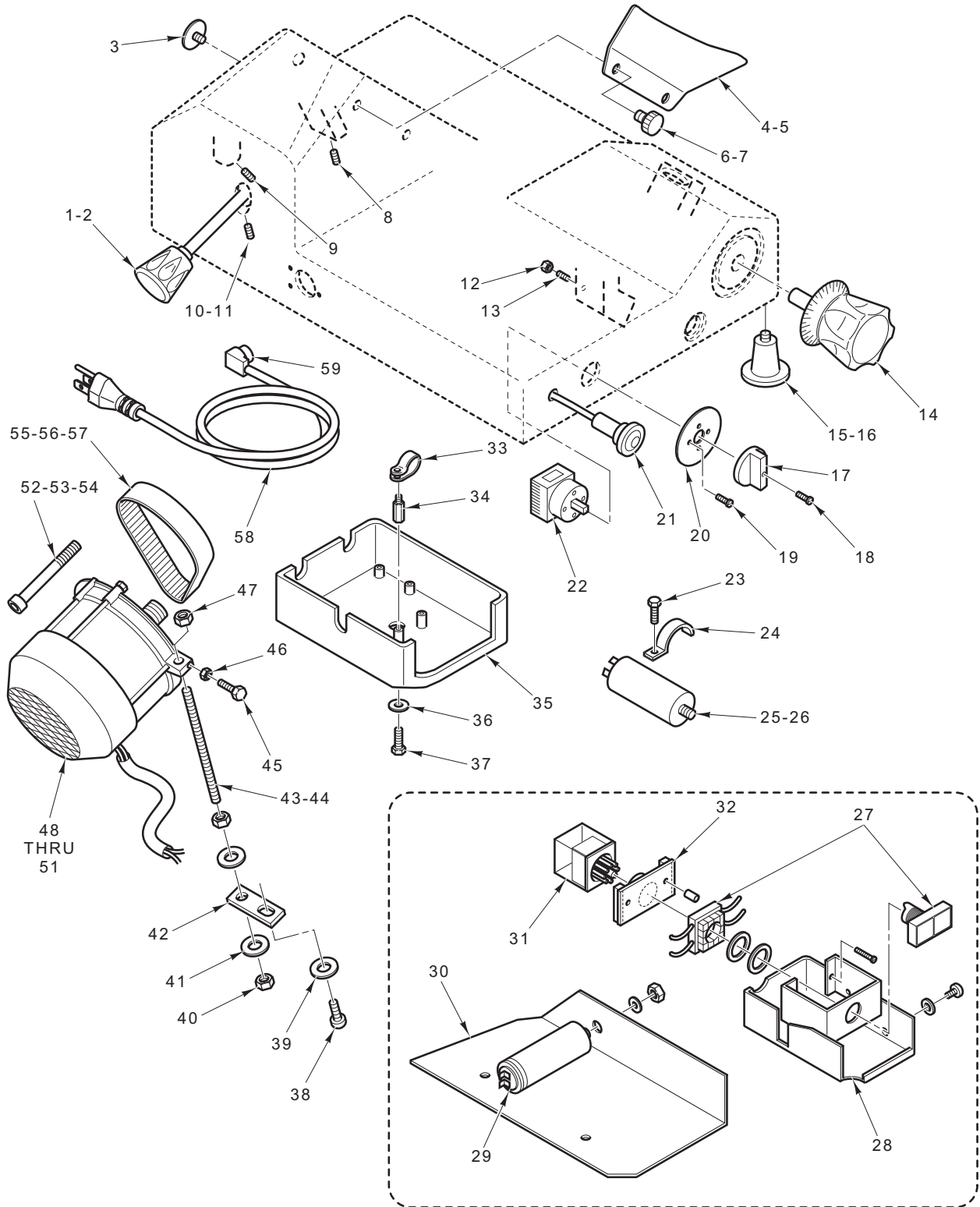
MODEL  
827  
827A  
829E  
SLICERS

EFFECTIVE SEPTEMBER 2009



### Table of Contents

5	ELECTRICAL AND HOUSING
7	MEAT TABLE AND CARRIAGE
9	INDEX ASSEMBLY
11	KNIFE ASSEMBLY
13	SHARPENER ASSEMBLY



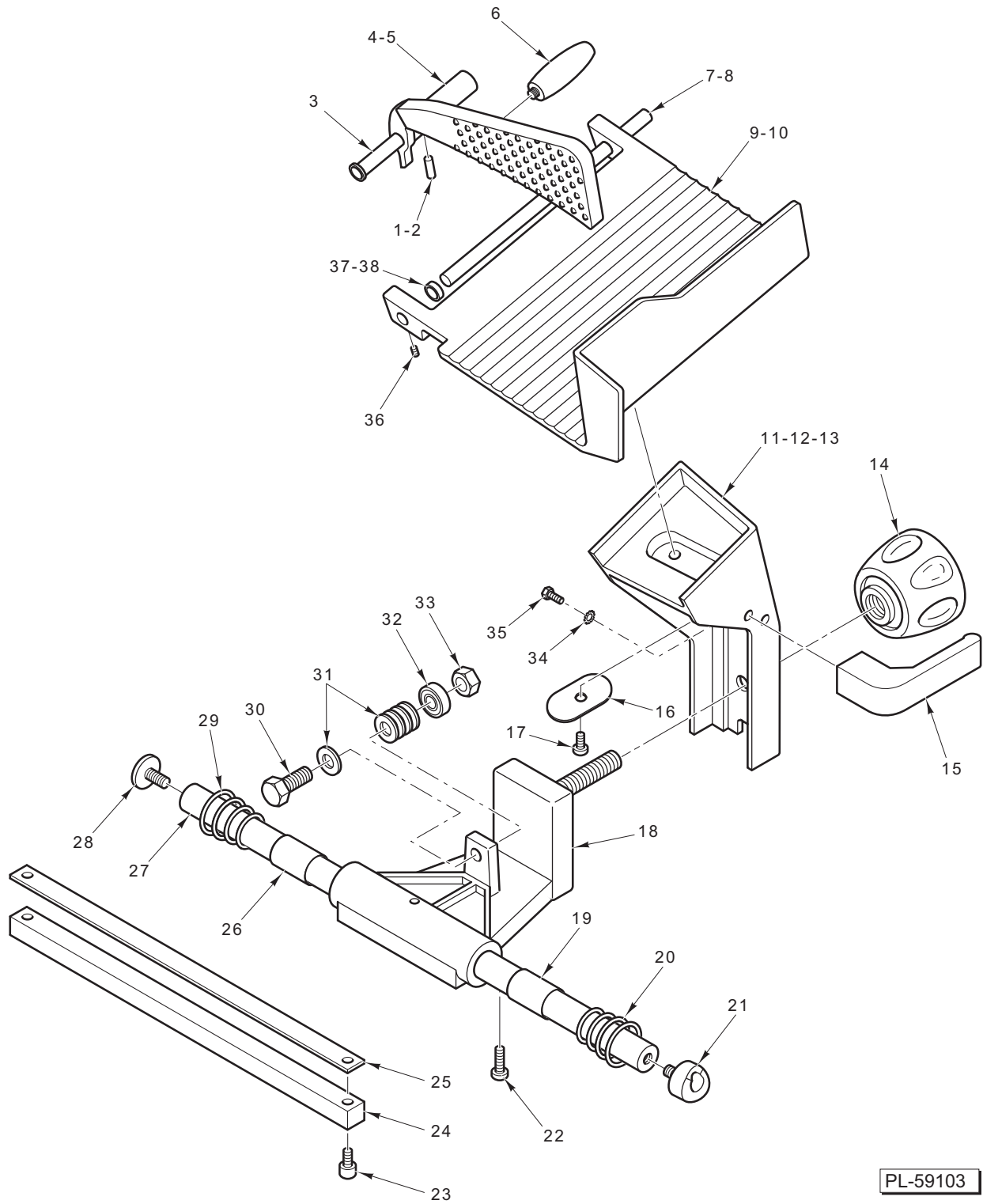
PL-59104

**ELECTRICAL AND HOUSING**

## ELECTRICAL AND HOUSING

ILLUS. PL-59104	PART NO.	NAME OF PART	AMT.
1	01-40827A-0075A	Rod – Center Plate (With Knob) (827 & 827A)	1
2	01-40829E-00075	Rod – Center Plate (With Knob) (829E)	1
3	01-400827-00050	Screw – Round Rail	1
4	01-400827-00011	Deflector – Slicer (827 & 827A)	1
5	01-400829-00011	Deflector – Slicer (829E)	1
6	01-40827A-00091	Screw (827A)	1
7	01-400825-00091	Screw (827 & 829E)	4
8	01-400827-00078	Set Screw	1
9	01-400823-00061	Set Screw (Motor Mount)	1
10	01-400827-00078	Set Screw (827 & 827A)	1
11	01-400827-00086	Set Screw (829E)	1
12	01-402101-07049	Nut (827A & 829E)	1
13	01-400827-00086	Set Screw (827A & 829E)	1
14	01-400827-0035A	Knob – Index	1
15	01-400827-00093	Foot – Rubber (827A & For 829E Machines Built On Or After Serial Number 60361)	4
16	01-40829E-00093	Foot – Rubber (6mm Threads) (829E Machines Built On Or Before Serial Number 60360)	4
17	01-40827A-03602	Knob – Switch	1
18	01-40827A-00400	Screw – Switch Knob	1
19	01-40827A-00401	Screw	1
20	-	Plate – Switch (Used With Item 22)	1
21	01-400825-00041	Light – Pilot	1
22	01-40827A-03902	Switch – Complete Rotary (827A & 829E) (Incls. Items 17 thru 20)	1
23	01-400825-00021	Screw (827A)	1
24	01-400825-00043	Clamp – Capacitor (827A)	1
25	01-400827-00042	Capacitor (827, 827A, & For 829E Machines Built On Or After Serial Number 60361)	1
26	01-400829-00042	Capacitor (829E Machines Built On Or Before Serial Number 60360)	1
27	01-404975-00404	Switch Assy. – Push Button (827)	1
28	01-400827-00136	Cover – Switch Box (827)	1
29	01-400827-00042	Capacitor (827)	1
30	01-400827-00199	Plate – Bottom (827)	1
31	01-400827-00200	Relay (827)	1
*32	01-400827-00039	Switch Assy. Without Relay (827)	1
33	01-403675-00224	Clamp – Cord (827A)	1
34	01-400825-00407	Spacer	1
35	01-400825-00405	Cover – Switch Box (827A & 829E)	1
36	01-400825-00006	Washer (827A & 829E)	1
37	01-400825-00021	Screw (827A & 829E)	1
38	01-400827-00058	Screw	1
39	01-402275-03071	Washer	1
40	01-402101-07046	Nut	2
41	01-402275-03071	Washer	2
42	01-400825-00055	Plate – Motor	1
43	01-40827A-00053	Rod – Tie (827 & 827A)	1
44	01-400829-00053	Tie Rod – Motor (829E)	1
45	01-402101-01079	Screw (827A & 829E)	1
46	01-402101-07041	Nut	1
47	01-402101-07046	Nut	1
48	01-400827-00048	Motor (1/3 Hp.) (For 827 Machines With Two V Belts)	1
49	01-400829-00048	Motor (1/2 Hp.) (829E Machines Built On Or Before Serial Number 60360)	1
50	01-40829E-00048	Motor (1/2 Hp.) (829E Machines Built On Or After Serial Number 60361)	1
51	01-40827A-0048N	Motor (1/2 Hp.) (827 With Ribbed Belt and All 827A Machines)	1
52	01-400827-00060	Screw (827)	1
53	01-40827A-00060	Screw (827A)	1
54	01-40829E-00060	Pin (829E)	2
55	01-400827-00066	Belt – V (2 Needed) (For 827 Machines With 2 V Belts)	2
56	01-400827-0066B	Belt – Ribbed (Flat) (827, 827A, & 829E Machines Built On Or After Serial Number 60361)	1
57	01-400829-00066	Belt – Ribbed (Flat) (829E Machines Built On Or Before Serial Number 60360)	1
58	01-404175-00031	Cord – Power	1
59	01-402675-00562	Bushing - Strain Relief (827 & 827A)	1

\* Replacement Kit for Item 32 Includes Replacements for Items 27, 31, & 32.

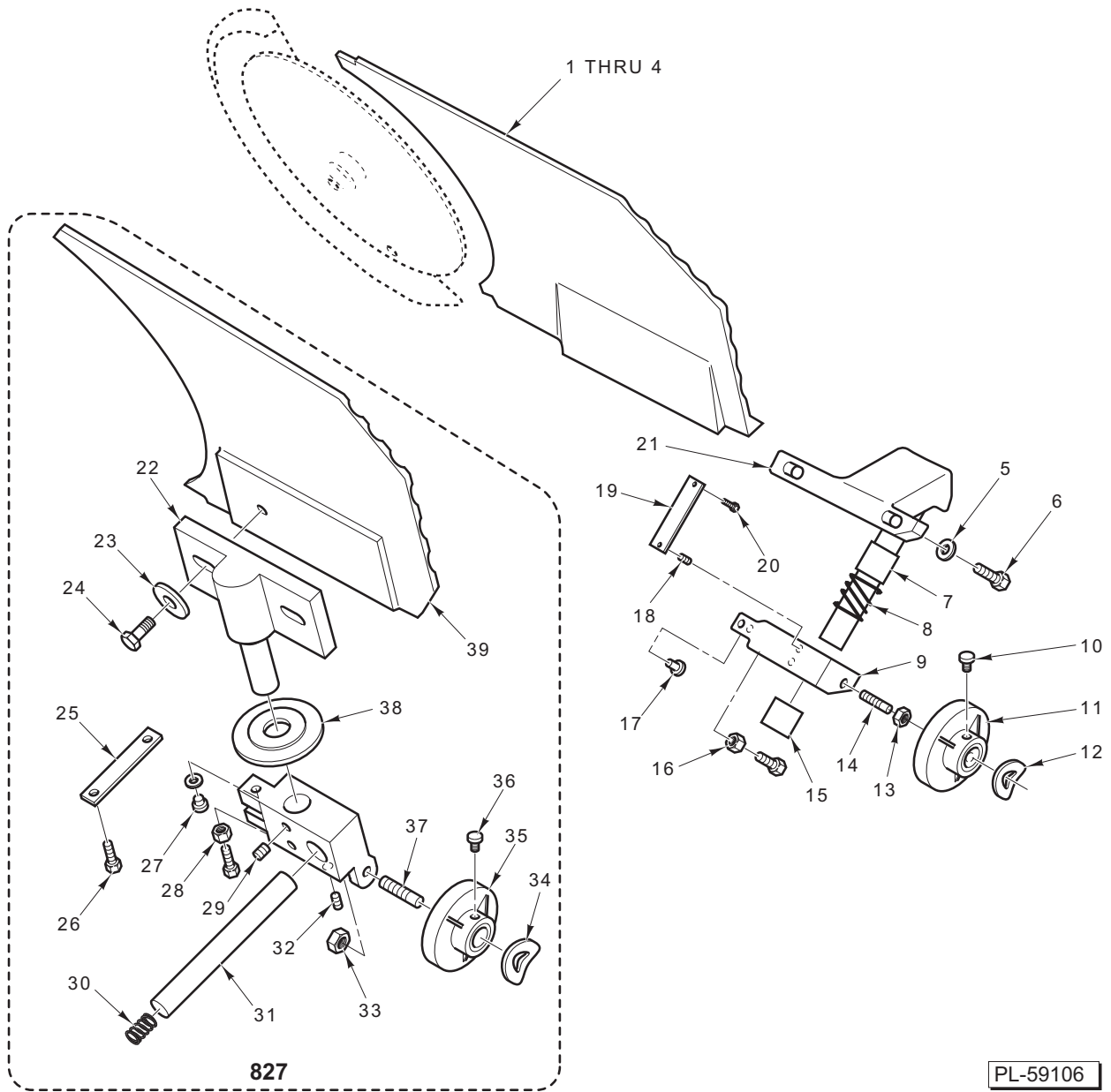


PL-59103

**MEAT TABLE AND CARRIAGE**

## MEAT TABLE AND CARRIAGE

ILLUS. PL-59103	PART NO.	NAME OF PART	AMT.
1	01-400827-00082	Pad – Wearing (827 & 827A).....	1
2	01-40829E-00082	Pad – Wearing (829E) .....	1
3	01-400827-0079N	Bushing 2 <sup>5</sup> / <sub>8</sub> In. Lg.....	1
4	01-400827-0009N	Pusher Assy. (With Pyramids) (827 & 827A) .....	1
5	01-400829-00009	Pusher Assy. (829E) .....	1
6	01-400827-00080	Handle – Pusher .....	1
7	01-400827-00084	Rod – Pusher Slide (827 & 827A).....	1
8	01-400829-00084	Rod – Pusher Slide (829E).....	1
9	01-400827-0008N	Table – Product (827 & 827A).....	1
10	01-400829-00008	Table – Product (829E).....	1
11	01-400827-00007	Support – Carriage (827).....	1
12	01-40827A-00007	Support – Product Table (827A).....	1
13	01-40829E-00007	Support – Carriage (829E).....	1
14	01-40827A-00040	Knob – Carriage.....	1
15	01-400827-0037A	Handle – Product Table.....	1
16	01-400827-00131	Washer.....	2
17	01-400825-00122	Screw .....	1
18	01-400827-00012	Carriage Assy.....	1
19	01-400827-00218	Bushing.....	1
20	01-400827-00020	Spring .....	1
21	01-400827-00099	Screw – Complete Oil .....	1
22	01-400827-00129	Screw (Nylon) .....	1
23	01-400827-00021	Screw .....	2
24	01-40827A-00014	Rail – Square .....	1
25	01-400827-00092	Plate – Lexan .....	1
26	01-400827-00218	Bushing.....	1
27	01-400827-00013	Rail – Round .....	1
28	01-400827-00050	Screw – Round Rail .....	1
29	01-400827-00020	Spring .....	1
30	01-400827-00017	Screw.....	1
31	01-402101-08010	Washer.....	5
32	01-400827-00015	Bearing .....	1
33	01-400CU-00008	Nut .....	1
34	01-402101-08515	Washer.....	2
35	01-400825-00089	Screw .....	2
36	01-400827-00086	Set Screw .....	1
37	01-400827-00085	Spacer – Pusher Shaft (829E).....	1
38	01-400827-00400	Spacer – Pusher Shaft (827A).....	1

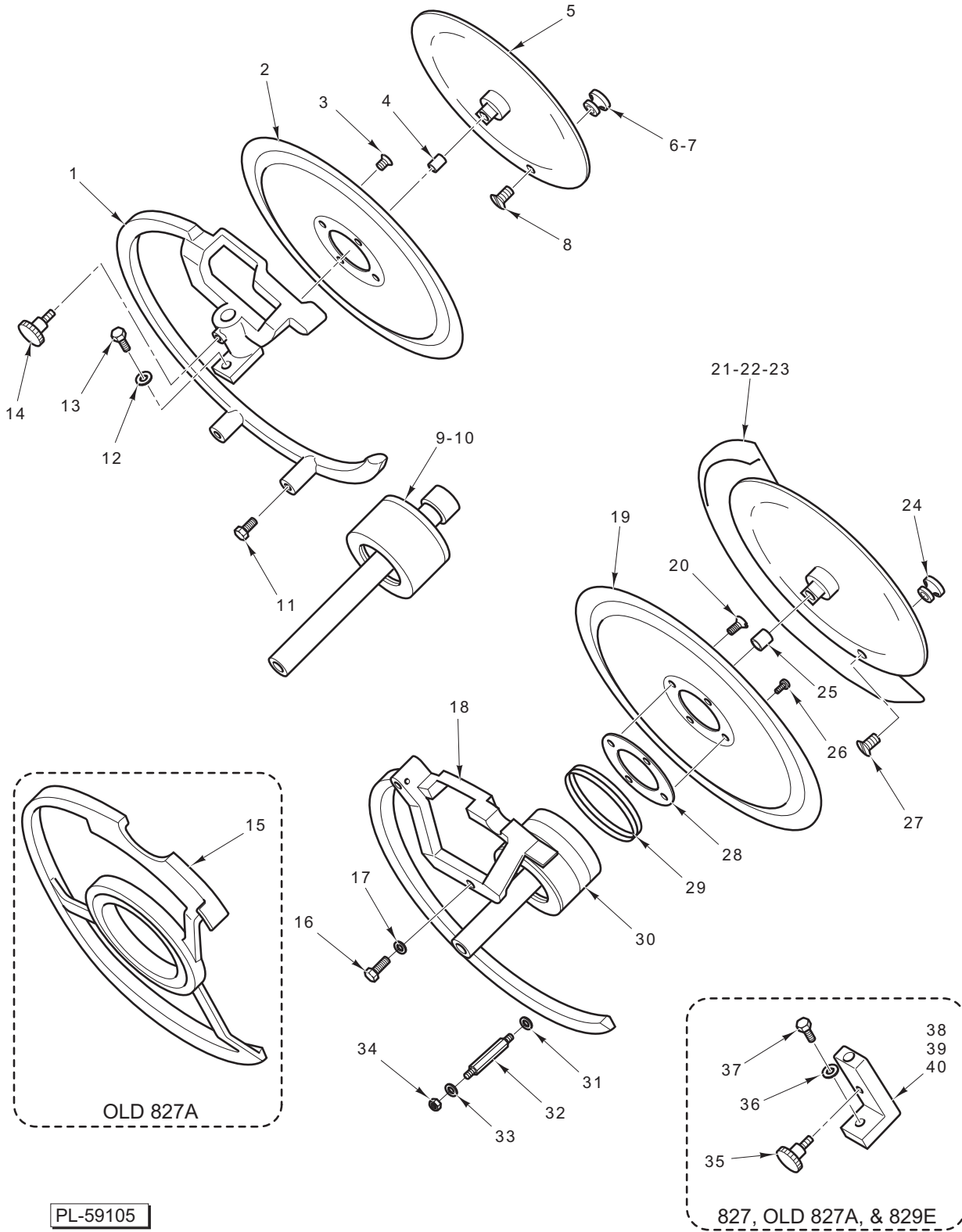


INDEX ASSEMBLY



## INDEX ASSEMBLY

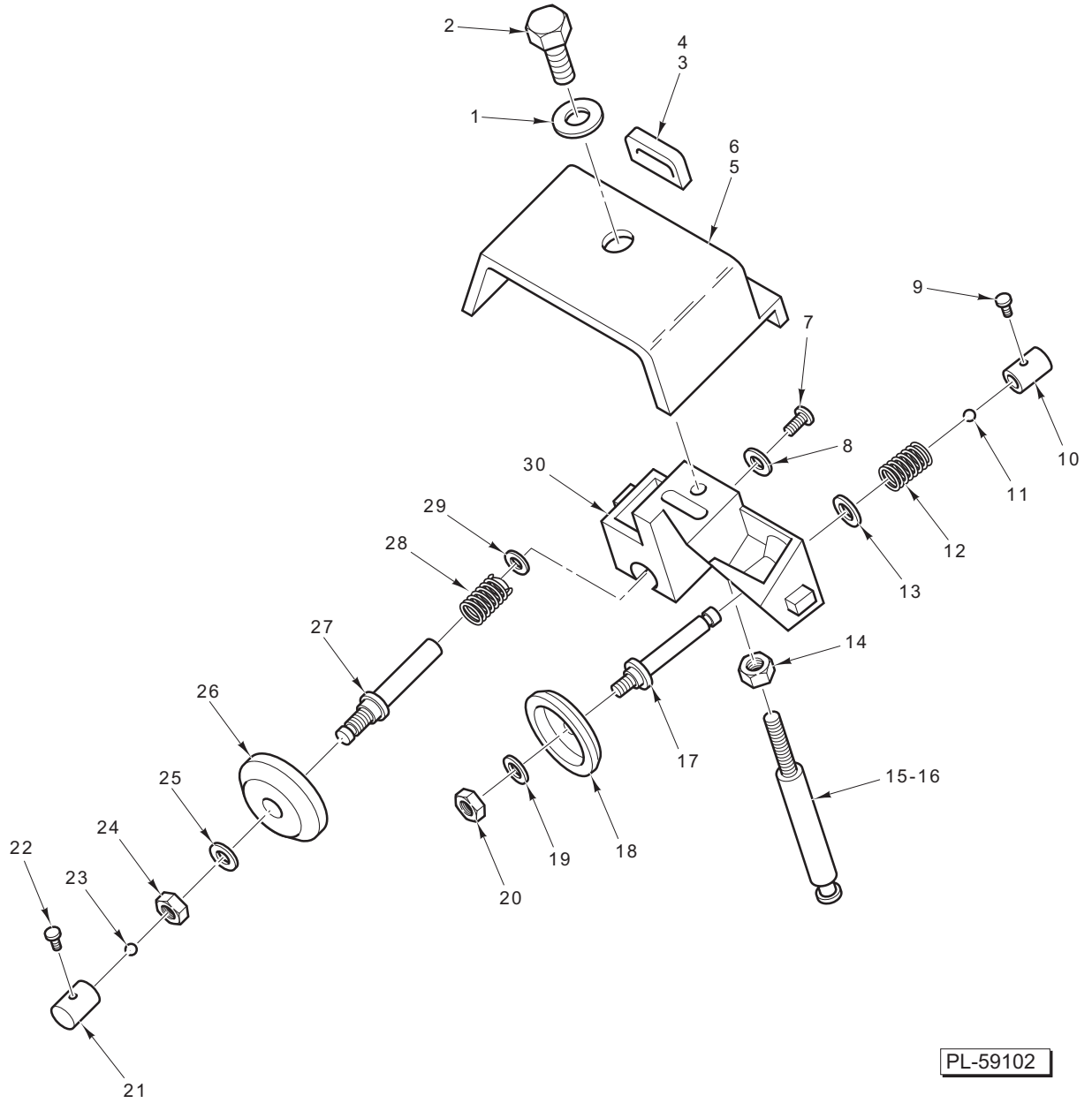
ILLUS.	PART NO.	NAME OF PART	AMT.
PL-59106			
1	01-40827A-003-1	Plate – Gauge (827A New).....	1
2	01-40829E-00003	Plate – Gauge (829E).....	1
3	01-40827A-00003	Plate – Gauge (827A Old Serial Number Starting With 9775).....	1
4	01-400827-00003	Plate – Gauge (827).....	1
5	01-403301-03812	Washer (827 & 827A).....	2
6	01-400827-00005	Screw (827 & 827A).....	2
7	01-400827-00219	Bushing.....	1
8	01-40827A-00024	Spring.....	1
9	01-40827A-00022	Support With Brass Screw (827A & 829E).....	1
10	01-400825-00021	Screw.....	1
11	01-400827-00025	Cam.....	1
12	01-400827-00095	Washer – Spring.....	1
13	01-400827-00033	Nut.....	1
14	01-400827-00027	Pin – Cam.....	1
15	01-400827-00219	Bushing.....	1
16	01-402101-07041	Nut.....	1
17	01-400825-00030	Pin.....	1
18	01-400827-00031	Set Screw.....	1
19	01-400827-00026	Plate.....	1
20	01-400827-00032	Screw.....	2
21	01-40827A-00004	Support – Gauge Plate (827A & 829E).....	1
22	01-400827-00004	Support – Gauge Plate (827).....	1
23	01-403301-03812	Washer (827).....	2
24	01-400827-00005	Screw (827).....	2
25	01-400827-00026	Plate.....	1
26	01-400827-00032	Screw.....	2
27	01-400825-00030	Pin (827).....	1
28	01-402101-07041	Nut.....	1
29	01-400827-00031	Set Screw.....	1
30	01-400827-00024	Spring.....	1
31	01-400825-00023	Pin (827).....	1
32	01-400827-00031	Set Screw.....	1
33	01-400827-00033	Nut.....	1
34	01-400827-00095	Washer – Spring.....	1
35	01-400827-00025	Cam.....	1
36	01-400825-00021	Screw.....	1
37	01-400827-00027	Pin – Cam.....	1
38	01-400825-00162	Ring – Rubber (827).....	1
39	01-400827-00003	Plate – Gauge (827).....	1



**KNIFE ASSEMBLY**

## KNIFE ASSEMBLY

ILLUS. PL-59105	PART NO.	NAME OF PART	AMT.
1	01-40827E-00408	Guard – Ring (827A New).....	1
2	01-400827-00073	Knife (827A).....	1
3	01-400827-00074	Screw – Knife (827A).....	1
4	01-400827-00135	Insert – Center Plate.....	1
5	01-400827-00402	Plate – Center (827A New).....	1
6	01-400825-00038	Knob – Center Plate (827 & 827A Old Serial Number Starting With 9775).....	1
7	01-400823-00403	Knob – Aluminum (827A New & 829E).....	1
8	01-400827-00074	Screw – Knife (827A).....	1
9	01-400827-00067	Knife Pulley Assy. (For 2 V-Belts) (827).....	1
10	01-40827A-067-1	Knife Pulley Assy. (1 Ribbon Belt) (827 With One Ribbon Belt, 827A Old & New).....	1
11	01-400825-00087	Screw (827A New).....	2
12	01-400823-00123	Washer (827A).....	1
13	01-400825-00101	Screw (827A).....	1
14	01-400827-0103A	Knob (827A).....	1
15	01-40827A-00257	Guard – Ring (827A Old Serial Number Starting With 9775).....	1
16	01-400827-00032	Screw (829E).....	1
17	01-40827A-00262	Washer (829E).....	1
18	01-40829E-00408	Guard – Ring (829E).....	1
19	01-400829-00073	Knife (829E).....	1
20	01-400827-00074	Screw – Knife.....	1
21	01-40829E-00002	Plate – Center (829E).....	1
22	01-400827-00002	Plate – Center (827 Old Serial Number Starting With 9775).....	1
23	01-40827A-00002	Plate – Center (827A Old Serial Number Starting With 9775).....	1
24	01-400823-00403	Knob – Aluminum (827A Machines Built On Or After Serial Number 37334 & 829E).....	1
25	01-400827-00135	Insert – Center Plate.....	1
26	01-40829E-00402	Screw (829E).....	1
27	01-400827-00074	Screw – Knife.....	1
28	01-40829E-00403	Ring (829E).....	2
29	01-40829E-00404	Seal – Rubber (829E).....	1
30	01-40829E-00067	Knife Bearing Assy. (829E).....	1
31	01-40827A-00262	Washer (829E).....	1
32	01-40829E-00613	Spacer – Knife Guard (829E).....	1
33	01-40827A-00262	Washer (829E).....	1
34	01-402101-07068	Nut (829E).....	1
35	01-400827-0103A	Knob.....	1
36	01-400823-00123	Washer.....	1
37	01-402101-03101	Screw.....	1
38	01-40829E-00100	Support (829E).....	1
39	01-400827-00100	Support (827).....	1
40	01-40827A-00100	Support (827A Old Serial Number Starting With 9775).....	1



**SHARPENER ASSEMBLY**

## SHARPENER ASSEMBLY

ILLUS.	PART NO.	NAME OF PART	AMT.
PL-59102			
1	01-400823-00123	Washer.....	1
2	01-400825-00122	Screw.....	1
3	01-412062-00RED	Flag – Berkel.....	1
4	01-4V6371	Screw.....	1
5	01-400825-00010	Cover – Sharpener (Aluminum).....	1
6	01-400823-00400	Cover – Sharpener.....	1
7	01-402101-02109	Screw.....	1
8	01-403301-03812	Washer.....	1
9	01-400825-00118	Screw.....	1
10	01-400823-00401	Button – Push.....	1
11	01-402375-00150	Ball 1/8.....	1
12	01-400825-00117	Spring.....	1
13	01-403301-03812	Washer.....	1
14	01-402101-07041	Nut.....	1
15	01-40827A-00104	Shaft – Sharpener (827 & 827A Old & New).....	1
16	01-40829E-00104	Shaft – Sharpener (829E).....	1
17	01-400825-00109	Shaft.....	1
18	01-400825-00112	Stone.....	1
19	01-403301-03812	Washer.....	1
20	01-402175-00387	Nut.....	1
21	01-400825-00115	Button – Push.....	1
22	01-400825-00118	Screw.....	1
23	01-402375-00150	Ball 1/8.....	1
24	01-402175-00387	Nut.....	1
25	01-403301-03812	Washer.....	1
26	01-400825-00112	Stone.....	1
27	01-400825-00110	Shaft.....	1
28	01-400825-00117	Spring.....	1
29	01-403301-03812	Washer.....	1
30	01-400825-00108	Frame – Sharpener.....	1
	01-40829E-00130	Sharpener Assy. (Incls. Cover) (829E).....	1
	01-40827A-00130	Sharpener Assy. (Incls. Cover) (827 & 827A Old & New).....	1





