

BIRO®

Known For Reliability For Over 89 Years

The **BIRO B350A** is designed to provide trouble free service in a **WET MEAT ROOM ENVIRONMENT**. Features such as Water Resistant Motor, Electrical Components and Connections, plus Non-Corrosive Metals, all add to the water protection benefits of the slicer. With **THREE AUTOMATIC SPEEDS**, the Operator can select the position best suited for the products being sliced or can be used in the **MANUAL POSITION** for a minimal number of slices to be cut.

- **BLADE** - 13-7/8" (350mm) Hollow Ground Alloy Steel has a special (patented) design to relieve surface suction on wet products and will allow a slicing capacity of 9.5" on round products. The **THICKNESS CONTROL** allows cuts from 0 to 1" (25mm) with indicator positions shown on the Index Knob in one millimeter increments allowing precise slice consistency.
- **DESIGN** - Minimum number of removable parts allow for **EASY CLEAN UP** while the ergonomic and **EASY-GLIDE CARRIAGE** allows no resistance during the need for a manual operation. The Automatic operation provides an auto piece count selection from 0-99 pieces with automatic shut-off.
- **BUILT-IN SAFETY FEATURES** - Blade Protective ring guard prevents exposing the blades edge when the blade cover is removed for cleaning. Product table lockouts prevent the thickness gauge from being opened during cleaning. Emergency shut-off and thermal overload/no volt release prevents accidental turn on after power outages. Remote sharpener mounts easily when needed but is stored away from the slicer when not in use, providing added hygiene security to the slicing operation.
- **BIRO** - This trusted name has over 89 years experience in bringing quality products with value to your meat room operation.



B350A



**Stands alone for quality
and value since 1921**

SPECIFICATIONS

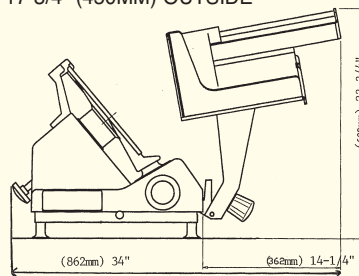
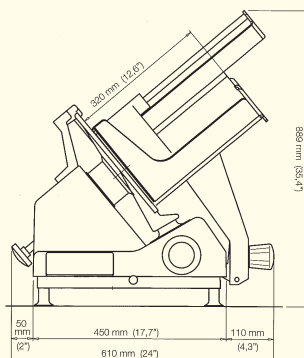
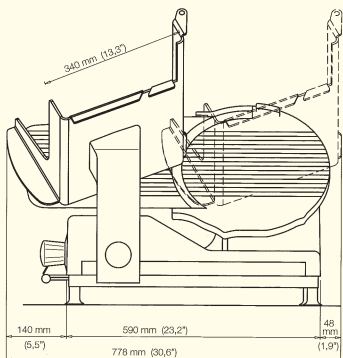
MODEL	B350A GRAVITY FEED AUTOMATIC SLICER		
CONSTRUCTION	BODY - ANODIZED POLISHED ALUMINUM CAST WITH NON-CORROSIVE METAL FRAME		
MOTORS	IP 65 - 1/2 HP (.35 KW) 115V 60 HZ -1 INTERNALLY COOLED. (STANDARD U.S.A. VOLTAGE) IP 65 - 1/2 HP (.35 KW) 220V 60 HZ -1 INTERNALLY COOLED. IP 65 - 1/2 HP (.35 KW) 220V 50 HZ -1 INTERNALLY COOLED.		
STANDARD FEATURES	BLADE - 13 7/8" (350MM) HOLLOW GROUND ALLOY STEEL - 200 RPM OVERSIZED PRODUCT TABLE 13-1/4" (337MM) WIDE BY 12-1/2" (318MM) LONG MAXIMUM PRODUCT CUT - ROUND 9-1/2" (241MM) MAXIMUM PRODUCT CUT - RECTANGULAR 11-3/4" X 6" (298 X 152MM) MAXIMUM PRODUCT CUT - SQUARE 7-1/4" X 7-1/4" (184 X 184MM) AUTOMATIC SPRING LOADED BELT TENSIONING BLADE PROTECTIVE RING GUARD PREVENTS EXPOSED BLADE EDGE DURING CLEANING TILT-AWAY PRODUCT TABLE LOCKOUT PREVENTS THICKNESS GAUGE FROM BEING OPENED DURING CLEANING THERMAL OVERLOAD/NO VOLT RELEASE PREVENTS ACCIDENTAL TURN ON AFTER POWER OUTAGES GREEN PUSHBUTTON ON/OFF CONTROL AND RED E-STOP BUTTON POLYGROOVE BELT DRIVE PROVIDING OPTIMUM PERFORMANCE WATER RESISTANT IP 65 MOTOR, WIRING HARNESS, ELECTRONIC CONTROLS, CONNECTORS PRODUCT FENCE - FOR USE ON NARROW PRODUCTS		
AUTOMATIC SPEED #1	SHORT STROKE 48 PER. MIN.,	MEDIUM STROKE 40 PER. MIN.,	LONG STROKE 38 PER. MIN.
AUTOMATIC SPEED #2	SHORT STROKE 56 PER. MIN.,	MEDIUM STROKE 45 PER. MIN.,	LONG STROKE 45 PER. MIN.
AUTOMATIC SPEED #3	SHORT STROKE 60 PER. MIN.,	MEDIUM STROKE 50 PER. MIN.,	LONG STROKE 50 PER. MIN.

CERTIFICATIONS NSF, ETL, CE

WEIGHT UNCRATED - 106 LBS. / 48 KG. CRATED - 121 LBS. / 55 KG.

DIMENSIONS UNCRATED - OVERALL DEPTH 30-1/2" (775MM) OVERALL WIDTH 24" (610MM) OVERALL HEIGHT 35-1/2" (901MM)
FOOT TO FOOT DEPTH 23-1/4" (589MM) OUTSIDE WIDTH 17-3/4" (450MM) OUTSIDE
CRATED - 28" (711MM) X 32-1/2" (826MM) X 33-1/2" (850MM)

OPTIONS VEGETABLE CHUTE 8-1/4" (209MM) DIAMETER
BAGEL CHUTE 4-3/4" (120MM) DIAMETER



THE BIRO MANUFACTURING COMPANY
1114 WEST MAIN STREET
MARBLEHEAD, OH 43440-2099 U.S.A.
Phone: (419) 798-4451
Fax: (419) 798-9106
<http://www.birosaw.com>
sales@birosaw.com

ITEM NO.: LIT-B350A-355

ALL SPECIFICATIONS CONTAINED HEREIN ARE SUBJECT TO CHANGE WITHOUT NOTIFICATION.

FORM NO.: Md B350A-355-3-10-1-ENG-MARK

Service is available from over 245 locations worldwide