



**Known for Reliability  
Since 1921**

**Fish Processing Band Saws**



(Design A)  
Model 44SSFH-LP-PGF  
Stainless Steel, Fixed Head, Low Profile,  
High Speed Saw, with Precision Gauge  
Fence for Frozen Fish Block Portion  
Control Fish Products



(Design B)  
Model 44SSFH-LP-FS-R  
Stainless Steel, Fixed Head, Low Profile,  
High Speed Saw, Fish Steaking/Retailing



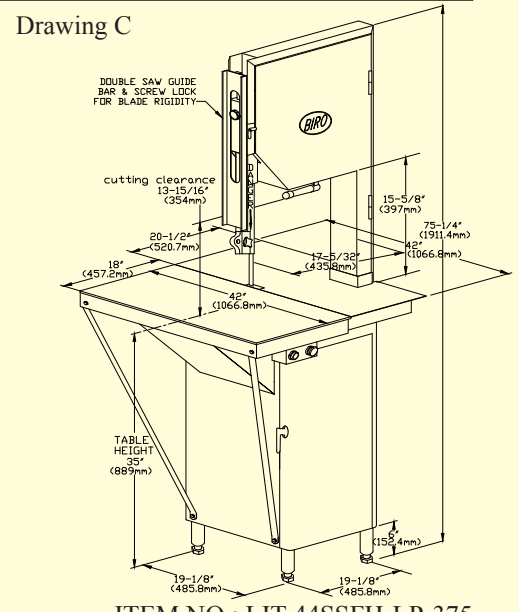
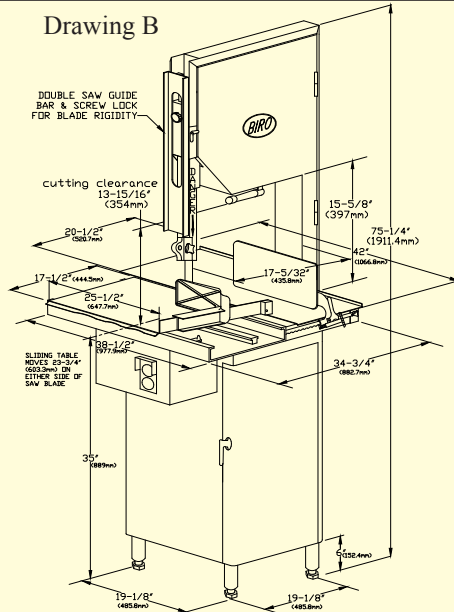
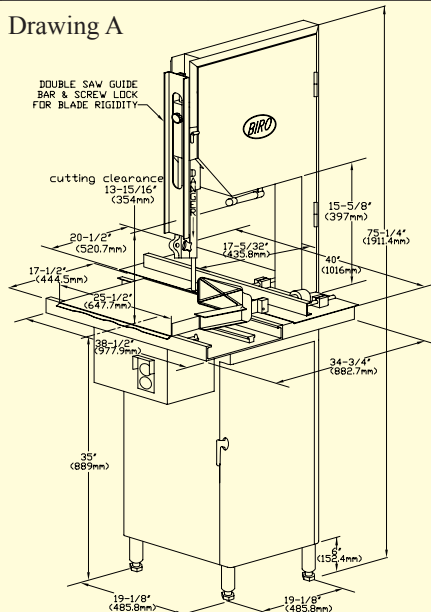
(Design C)  
Model 44SSFH-LP-HDFFT  
Stainless Steel, Fixed Head, Low Profile,  
High Speed Saw, with  
Heavy Duty Front Fixed Table  
Breaking/Trimming



**44SSFH-LP SERIES**

# MODEL SPECIFICATIONS

MODELS	A Model 44SSFH-LP-PGF				B Model 44SSFH-LP-FS-R			C Model 44SSFH-LP-HDFFT	
<b>Motors</b>	HP	KW	TYPE	VOLTS	AMPS	HERTZ	PH	STATUS	STD = Standard EC = Extra Cost MR = Moisture Resistant
	5	3.7	MR	208-220/440	15.7-14.8/7.9	60	3	STD	
	5	3.7	MR	575	5.9	60	3	EC	
	5	3.7	MR	220/380-415	17.8/10.3-9.4	50	3	EC	
<b>Construction</b>	Stainless steel unitized base, head and door structure; legs, channel, assembly tables; some components non S.S.								
<b>Standard Eq.</b>	Two saw blades • Operation and Safety manual • Safety wall poster • Safety end cut pusher plate (except fixed table saw)								
<b>Saw Blade</b>	135" (3429mm) L x 5/8" (16mm) W x .018 (.45mm) thick -hard tooth				135" (3429mm) L x 5/8" (16mm) W x .022 (.56mm) thick -hard tooth				
<b>Blade Guide</b>	Upper and lower blade backup guide assemblies, with carbide long-life inserts, removable as an assembly								
<b>Blade Speed</b>	Approx. 5000 (1524m) feet per minute				4000 (1219m) feet per minute - higher f.p.m. blade speed available				
<b>Blade Wheels</b>	18" (457mm) single flange, cast iron, nickel plating, upper wheel assembly removable - Opt. S.S. blade wheels available								
<b>Blade Guide Bars</b>	Double (reinforced) stainless steel saw guide bars								
<b>Blade Tension</b>	Factory preset tension spring in housing with screw tensioning handle, located under upper wheel								
<b>Blade Cleaning Unit</b>	Stainless steel body with long-life carbide guide inserts, steel saw cleaners, removable as a unit for easy cleaning (assembly also adjusted as a unit)								
<b>Bearings</b>	Heavy duty tapered roller bearings used in upper saw wheel hub and lower bearing housing assembly								
<b>Dust Catch Pan</b>	Deep rounded corners poly pan sealed off from other areas of base structure, accessible through hinged door								
<b>Drive System</b>	Tension adjustable, non-slip, silent V-belt								
<b>Meat Carriage</b>	25½" (647mm) L x 17½" (444mm) W stainless steel with 8, 1-7/16" diameter; (36.5mm) stainless steel EZ-flow bearings						Not applicable		
<b>Legs</b>	Stainless steel welded legs with 4 adjustable leg bolt levelers								
<b>Motor Compartment</b>	Sealed off from meat contact areas, easily accessible through removable panel door								
<b>Platter</b>	Right rear platter stationary, left rear platter removable				Stainless steel rear platter, removable by releasing push-pull hold down rods				
<b>Power Switch</b>	Watertight magnetic with thermal overload and under voltage protection								
<b>Pusher Plate</b>	Standard						Not applicable		
<b>Meat Gauge Plate</b>	Not applicable				Adjustable from 1/16" (1.6mm) to 6½" (165mm) locks in position; assembly removable for cleaning			Not applicable	
<b>Options (Extra Charge)</b>	A,B,C - Power cord (12ga.) and plug; S.S. saw blade wheels for 5/8" (16mm) saw blade, Cast saw blade wheels for 1" (25.4mm) saw blade; Longer S.S. hex (leg) bolts								
<b>Certifications</b>	N.S.F. • U.S.D.A.								
<b>Weight</b>	Uncrated: 600 lbs. (272kg); Crated: 700 lbs (318kg); Dims. Crated: L 54" (137cm) x W 45" (114cm) x H 83" (211cm) All weights and dimensions are approx. depending on design and options selected								
<b>Legend</b>	FH = fixed head; FS = fish steaking; HDFFT = heavy duty fixed front table; LP = low profile; PGF = precision gauge fence; R = retailing; S.S. = stainless steel								



All specifications contained herein are subject to change without notification.

ITEM NO.: LIT-44SSFH-LP-375  
FORM NO.: Md 44SSFH-LP-375-5-16-3-B

Phone: (419) 798-4451  
Fax: (419) 798-9106

Service is available  
from locations worldwide

www.birosaw.com  
sales@birosaw.com