

4

3

2

1

REV	ECN	DESCRIPTION	BY	APV	DATE
A	-	INITIAL RELEASE	KRJ	MG	4/24/12
B	2492	REPLACE SF350013 WITH Q86561, UPDATE FORMAT.	JS	CA	12/9/2016

D

D

C

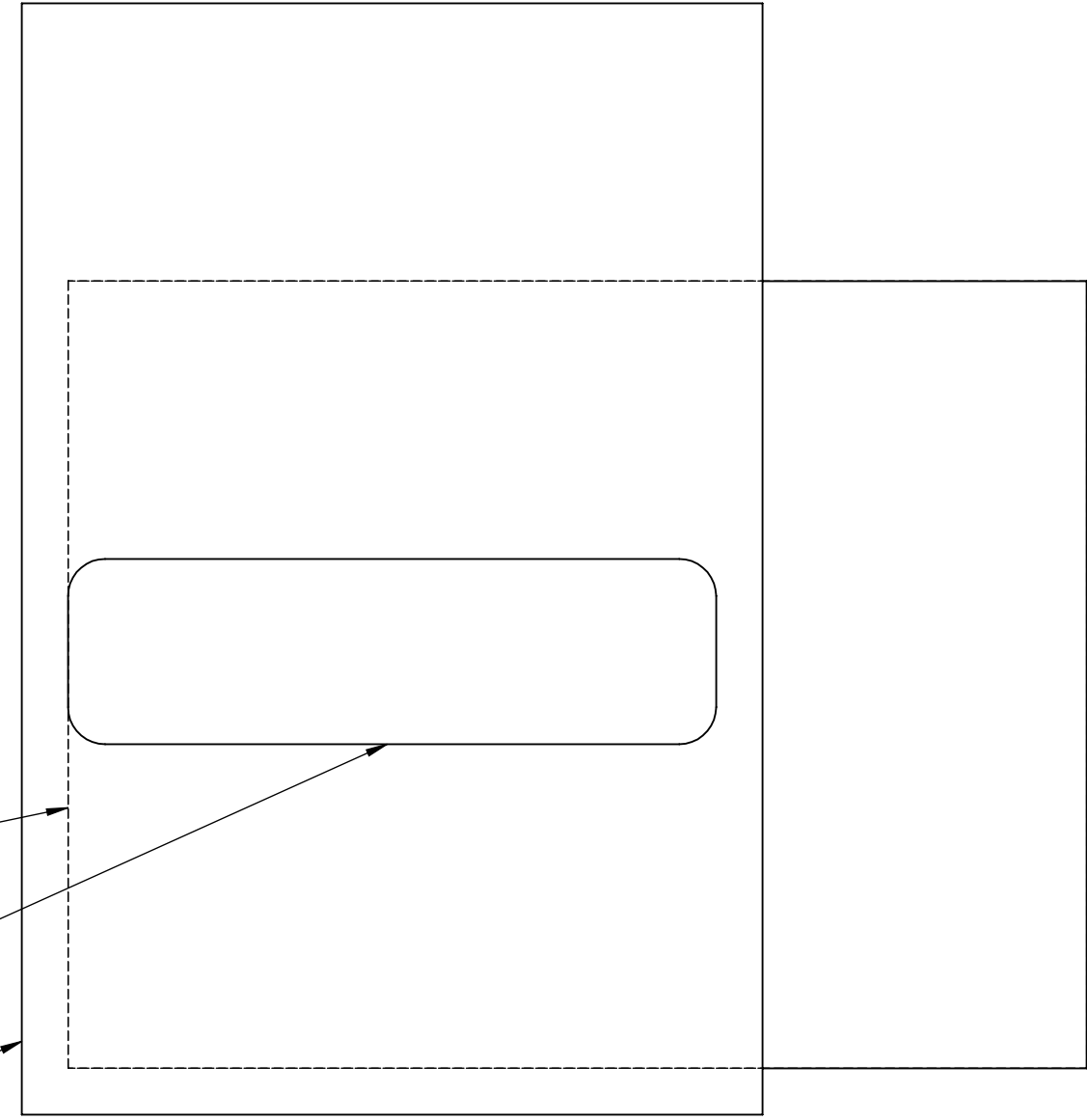
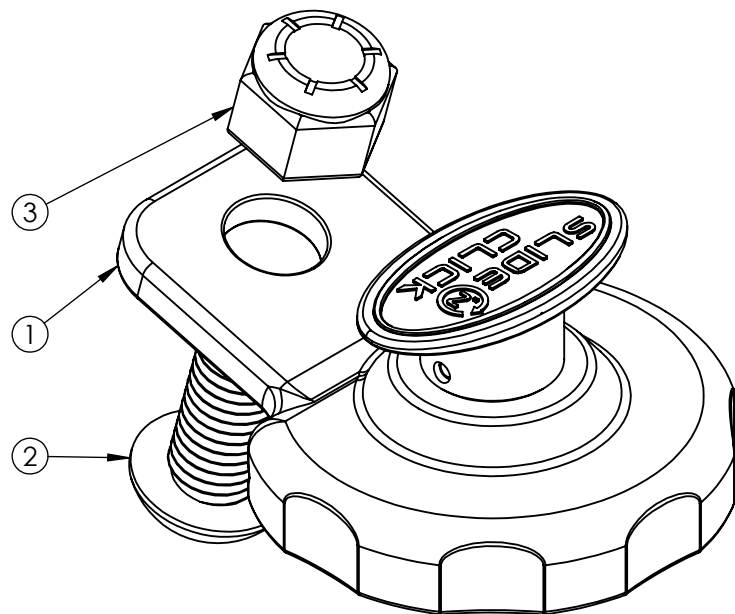
C

B

B

A

A



BAG [triangle symbol]

ITEM NO.	PART NUMBER	DESCRIPTION	QTY.
1	Q8-7579-T	SLIDE 'N CLICK - TOP PIECE	1
2	SF340039	CAP SCREW, 1/2"-13 BUTTON HEAD	1
3	Q8-6561	LOCKNUT HEX NYL 1/2-13 ST TC	1
4	8916	LABEL, 1 X 3.5	1
5	SSP323	INSTRUCTION	1

UNLESS OTHERWISE SPECIFIED:
 [triangle symbol] USE APPROPRIATE SIZE BAG.

DIMENSIONS ARE
 DUAL AND
 REFERENCED UNLESS
 OTHERWISE SPECIFIED

[IMPERIAL]
 METRIC

THE USE, DUPLICATION, DISTRIBUTION, OR DISCLOSURE OF THIS DATA (IN WHOLE OR IN PART) FOR
 PURPOSES OF MANUFACTURING OR PROCUREMENT WITHOUT WRITTEN PERMISSION OF
 "Q'STRAINT"/"SURELOK" IS EXPRESSLY PROHIBITED.

ASME Y14.5-2009
 SCALE: 1:1 TYPE:
 SIZE: B U
 THIRD ANGLE PROJECTION

DRAWING TITLE:
SLIDE N CLICK CONNECTOR ASSEMBLY

SURE-LOK

DRAWING NUMBER:
Q8-7580SL

REVISION:
B

PRINTED COPY UNCONTROLLED 1 OF 1

4

3

2

1