

4

3

2

1

D

D

C

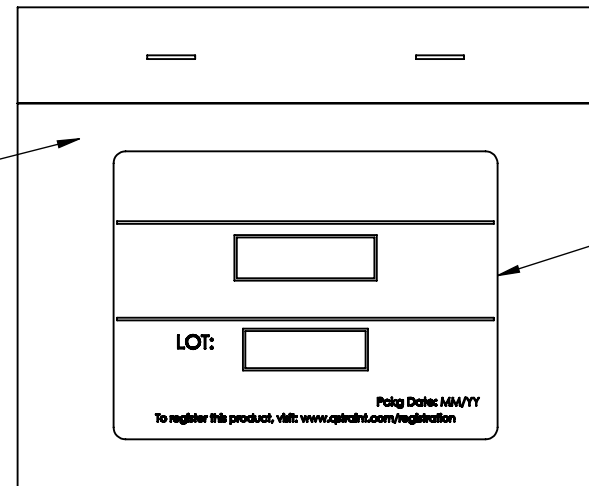
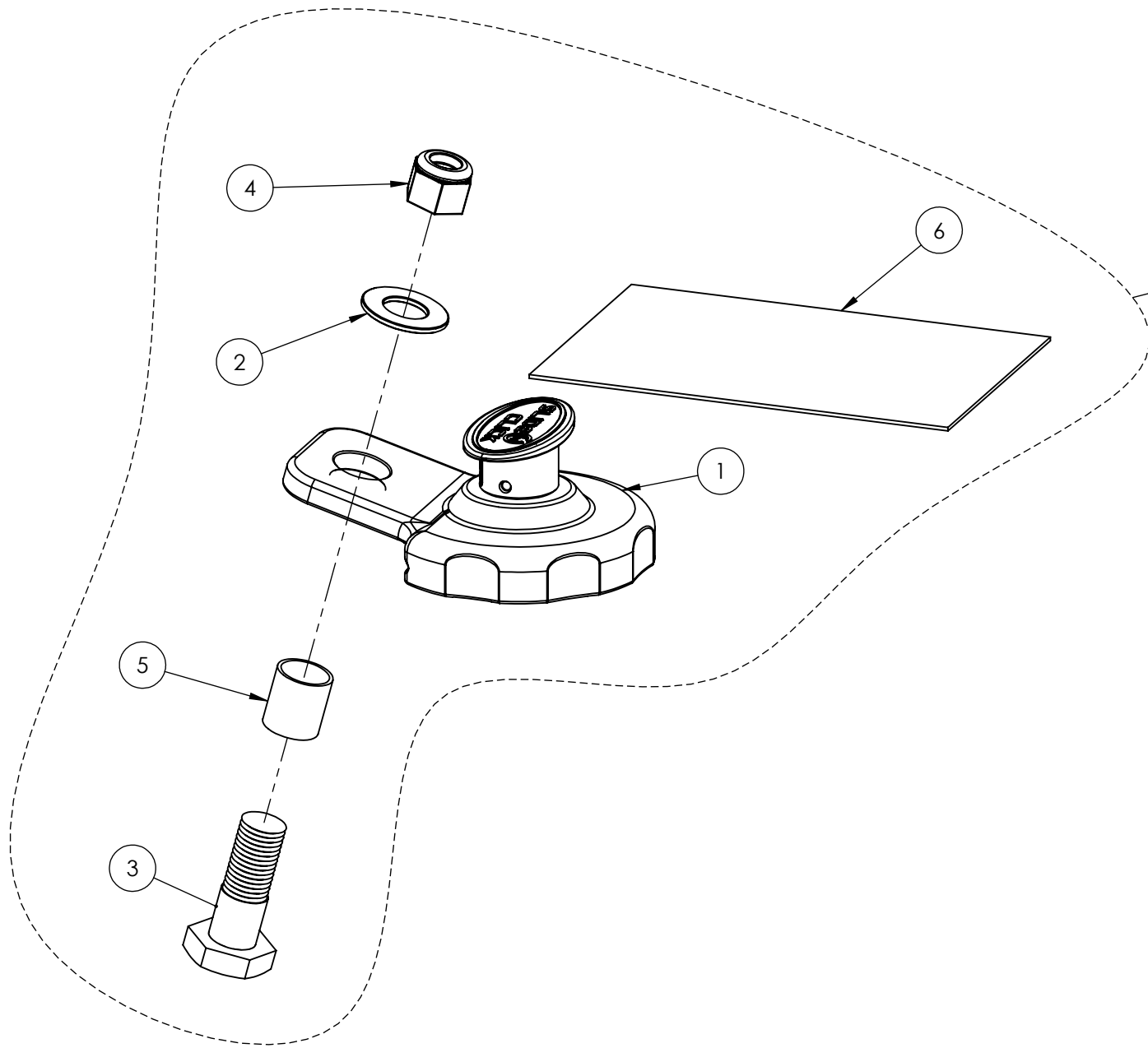
C

B

B

A

A



| ITEM | PART NUMBER | DESCRIPTION | QTY |
|------|---------------------|-----------------------------------|-----|
| 1 | Q8-7579-T | SLIDE 'N' CLICK - TOP PIECE | 1 |
| 2 | Q5-6511 | FLAT WASHER | 1 |
| 3 | Q8-6507-06 | BOLT HEX HEAD 7/16-20X1 1/4 ST TC | 1 |
| 4 | Q8-6511 | NUT HEX NYL 7/16-20 GR2 ST TC | 1 |
| 5 | Q8-6562-4 | SLEEVE BOLT 7/16 ST TC | 1 |
| 6 | Q8-6500-A-L-SC-INST | INSTRUCTIONS-ASSEMBLY MOUNTING | 1 |
| 7 | Q5-3995 | LABEL 4X3 DIRECT THERMAL WHT | 1 |
| 8 | Q5-6464 | 6 X 9 PLASTIC HARDWARE BAG | 1 |

DIMENSIONS ARE DUAL AND REFERENCED UNLESS OTHERWISE SPECIFIED

[IMPERIAL]
METRIC

THE USE, DUPLICATION, DISTRIBUTION, OR DISCLOSURE OF THIS DATA (IN WHOLE OR IN PART) FOR PURPOSES OF MANUFACTURING OR PROCUREMENT WITHOUT WRITTEN PERMISSION OF "Q'STRAINT"/"SURELOK" IS EXPRESSLY PROHIBITED.

ASME Y14.5-2009
SCALE: 1:2 TYPE: U
SIZE: B THIRD ANGLE PROJECTION

DRAWING TITLE:
SLIDE 'N' CLICK TOP ASSY.

Q'STRAINT

DRAWING NUMBER:
Q8-7580

REVISION:
F

PRINTED COPY UNCONTROLLED 1 OF 1

UNLESS OTHERWISE SPECIFIED:
1. USE APPROPRIATE PACKAGING TO PROVIDE PROTECTION.

4

3

2

1