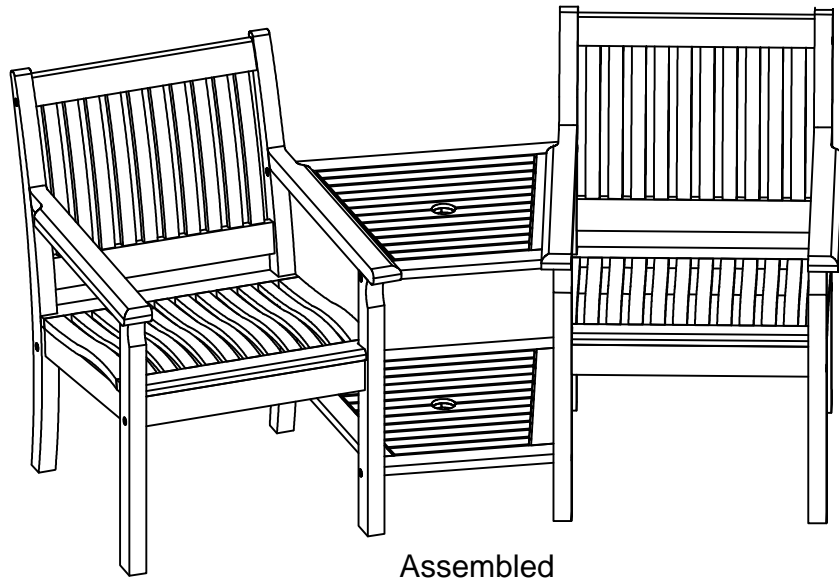






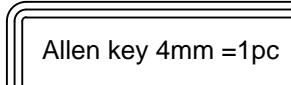
WILLINGTON COMPANION SEAT ASSEMBLY INSTRUCTION

PLEASE READ COMPLETELY BEFORE YOU BEGIN ASSEMBLY

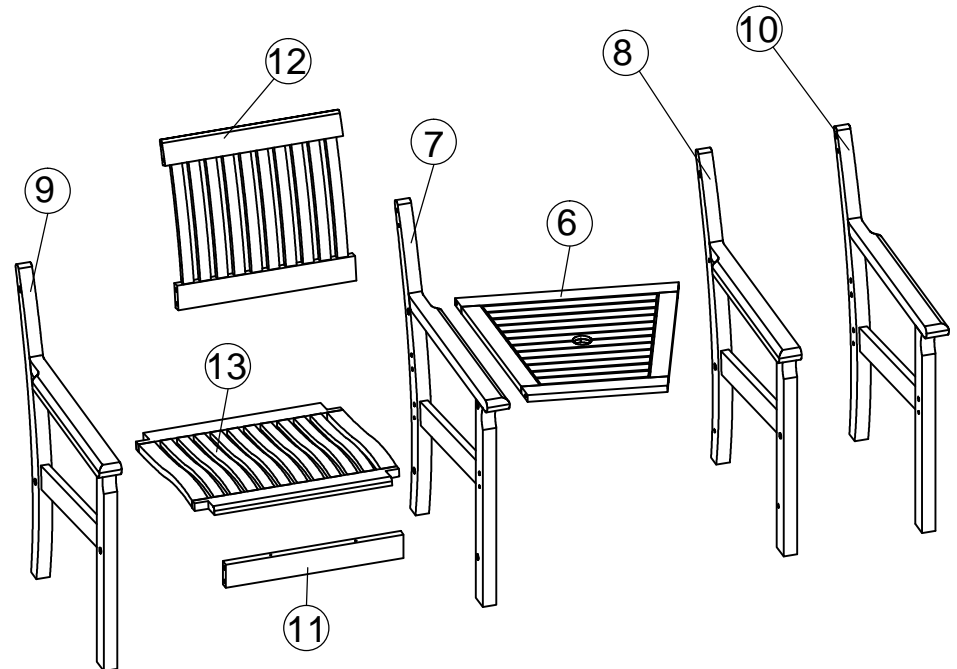


HARDWARE LIST

- ①  Screw 7x60 =8pcs
- ②  Screw 7x90 =12pcs
- ③  Wooden Dowel 10x40 =10pcs

- ④  Screw 4x40 =8pcs
- ⑤  Allen key 4mm =1pc

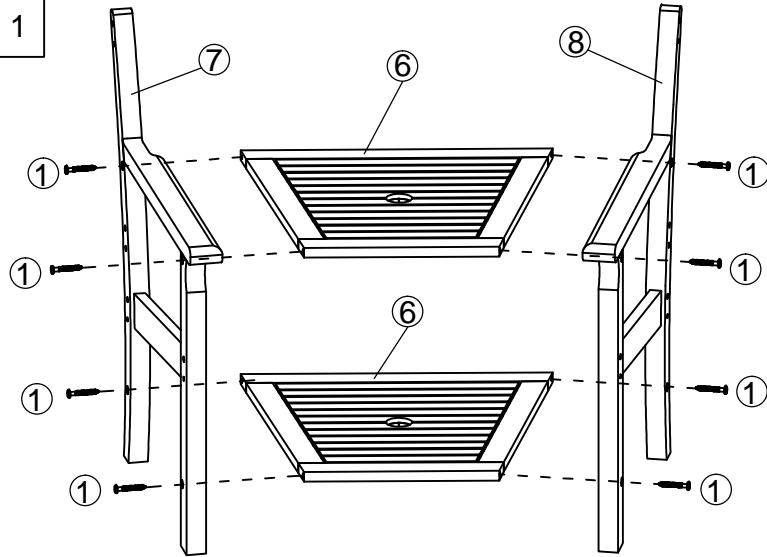
PARTS LIST



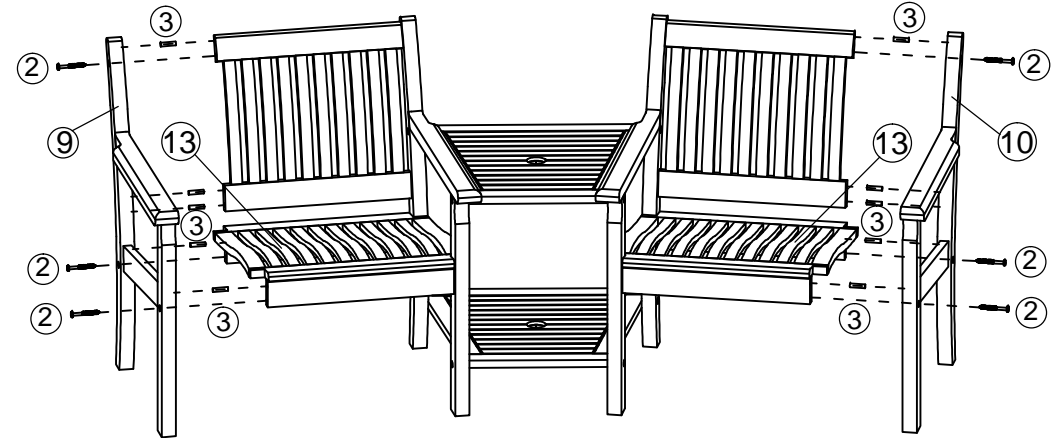
WILLINGTON COMPANION SEAT ASSEMBLY INSTRUCTION

ROWLINSON GARDEN PRODUCTS LIMITED
Green Lane
Wardle, Nr. Nantwich
Cheshire
CW5 6BN
Help Line (Normal Office Hours) 01829 261 121

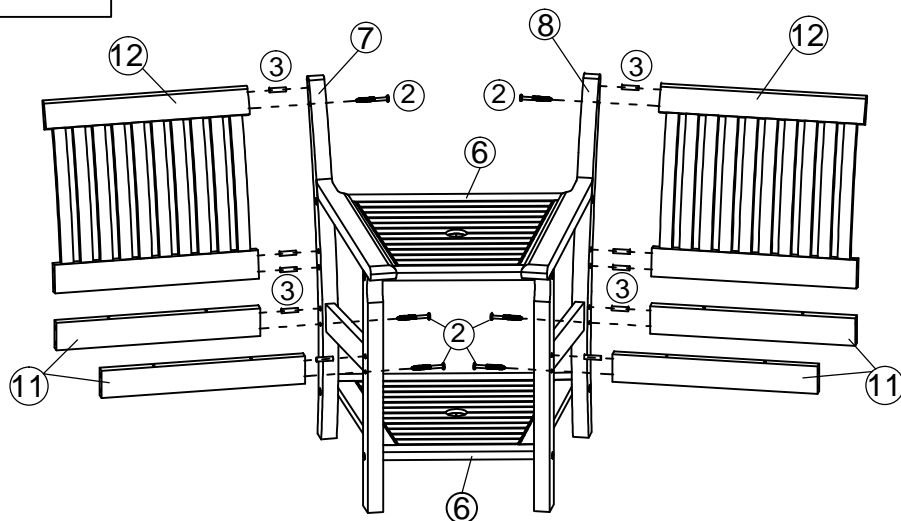
STEP 1



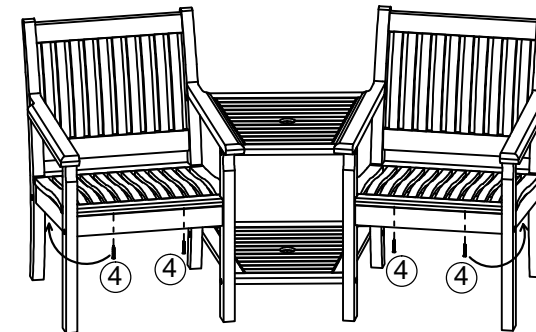
STEP 3



STEP 2



STEP 4



8 screws 4x40 in front and back

We constantly improve the quality of our products, occasionally the components may differ from the components shown and are only correct at time of printing. We reserve the right to change the specification of our products without prior notice.